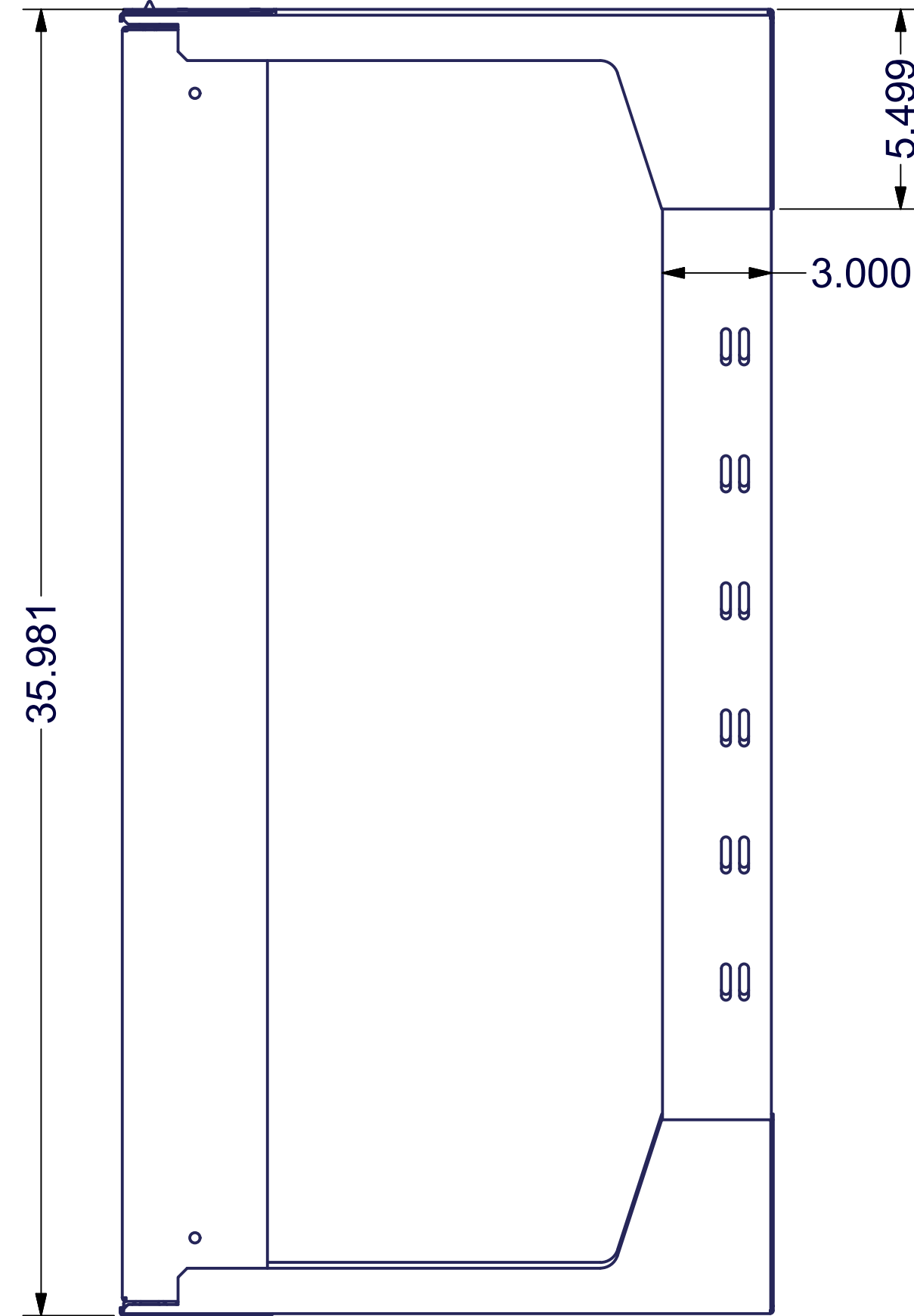
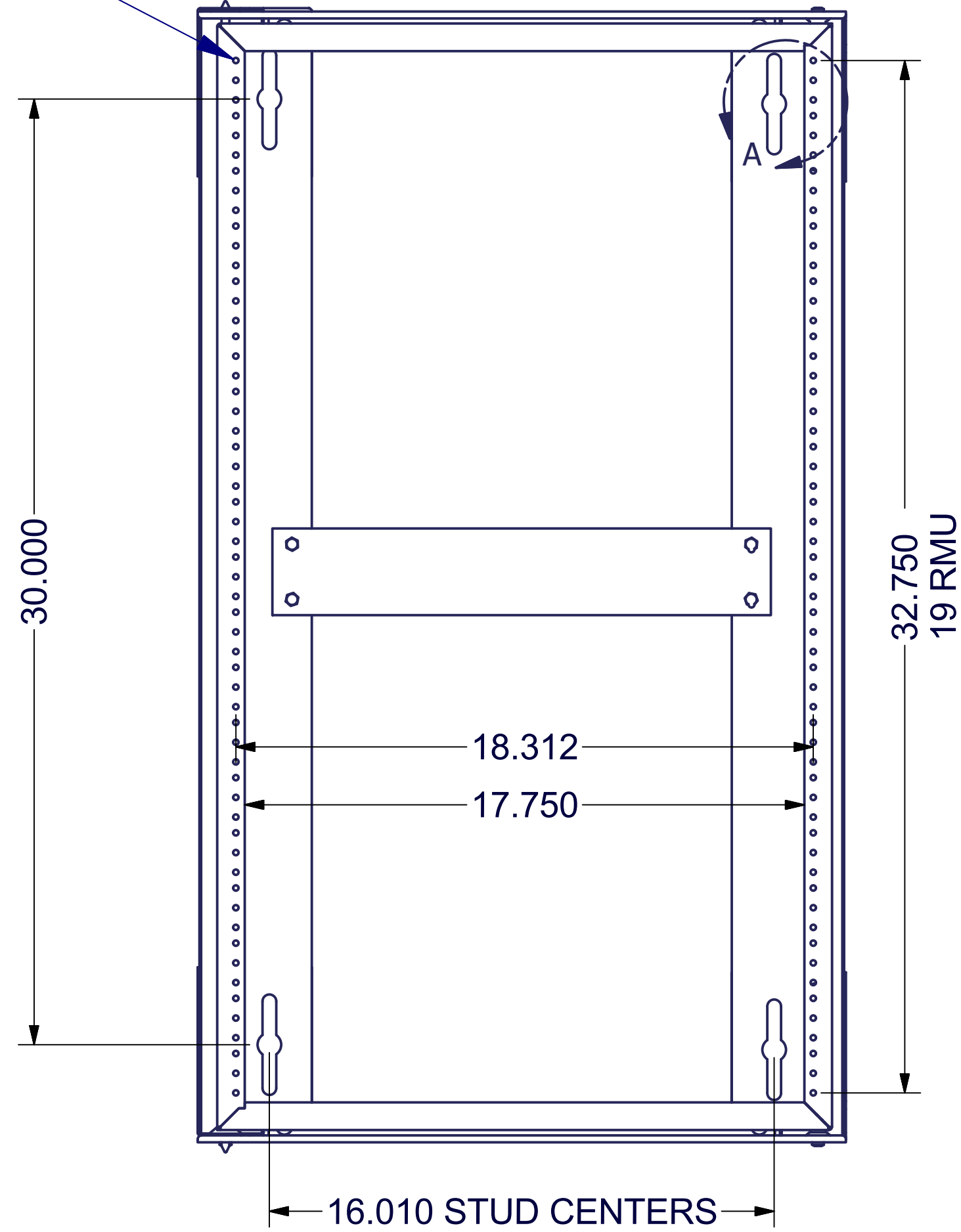


PROVISIONS FOR OPTIONAL CM-01 - CABLE CINCH STRAPS

RACK PIVOTS FROM EITHER SIDE

12-24 UNC



SPECIFICATIONS:

RACK SPACES : 19" EIA 310 COMPLIANT - 19

WEIGHT CAPACITY: 100 LBS - EVENLY DISTRIBUTED.

FINISH: DURABLE TEXTURED BLACK POWDER COATING.

CERTIFICATIONS: UL 60950-1 STANDARD FOR I.T. & COMMUNICATIONS EQ.

CONSTRUCTION: #12 GA. C.R.S. MOUNTING CHANNELS & SUPPORT FRAME.

USABLE DEPTH: 22" FROM MOUNTING SURFACE

HARDWARE: PACKAGE OF QTY-50; #10-32 x 1 2" LG. SCREWS INCLUDED.



INTERPRET DRAWING PER ASME Y14.5M-1994
DIMENSIONAL LIMITS APPLY AFTER APPLICATION OF FINISH
DRAWING NOT TO SCALE
TOLERANCE UNLESS OTHERWISE NOTED:
ANGULAR +/- 1°
.XXXX +/- .010
.XXX +/- .015
.XX +/- .030
.X FOR REF. ONLY
UNLESS OTHERWISE SPECIFIED ALL DIMENSIONS ARE IN INCHES

NOTICE:

Use of this document is subject to a confidentiality and nondisclosure agreement with Great Lakes Data Racks & Cabinets and may not be reproduced, disclosed or utilized in whole or in part without prior written authorization from Great Lakes.

PART NUMBER: GL36SR-B	TITLE: 36" SWING RACK
MATERIAL TYPE:	GREAT LAKES DATA RACKS & CABINETS P.O. BOX 551 EDINBORO, PA 16412 PHONE (814) 734-7303 FAX (814) 734-3907 E-MAIL info@greatcabinets.com
MATERIAL GAUGE:	
FINISH: POWDER	
DRAWN DATE DW 7/6/2007	DWG NO: GL36SR-B
CHECKED & APP. DATE	REV 2
	SHEET: 1 OF 1