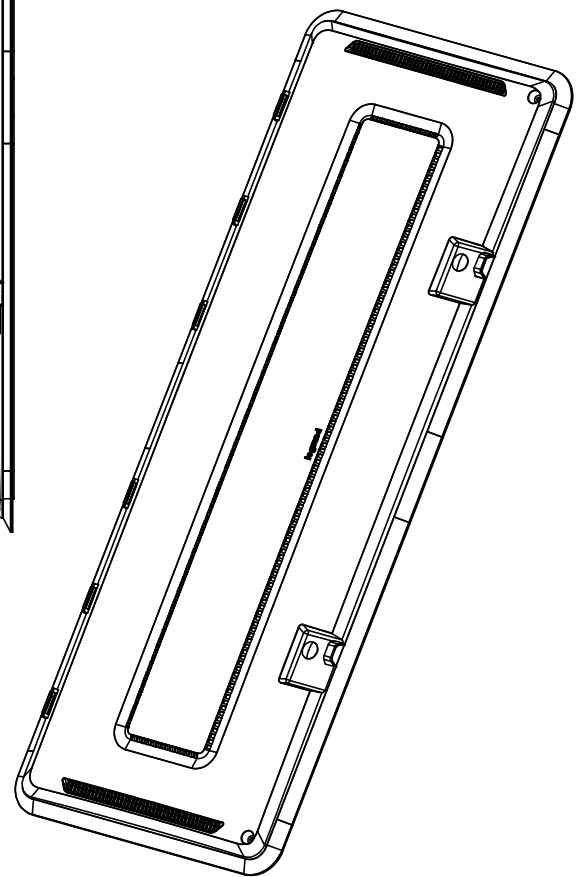
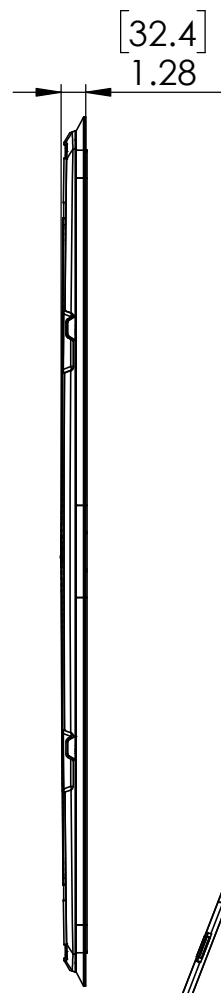
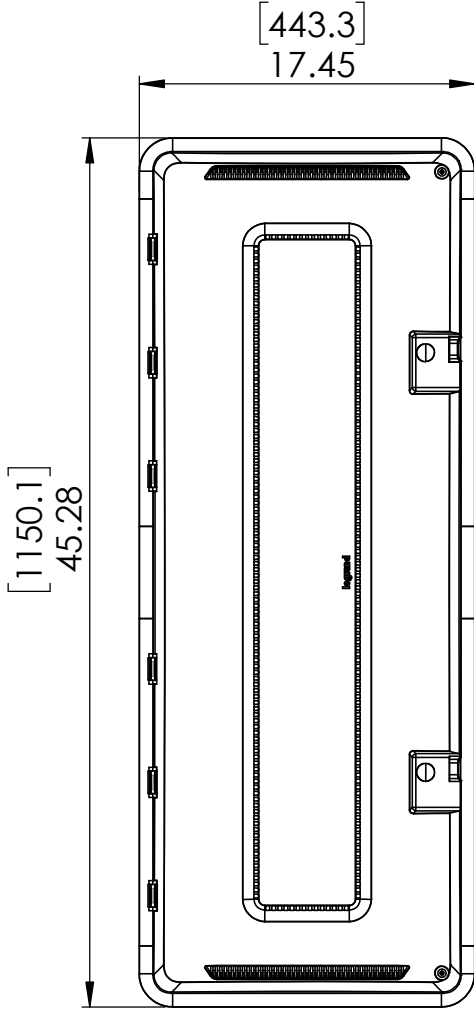


2

1

B

B



A

A

DIMENSIONS ARE IN INCHES UNLESS OTHERWISE SPECIFIED	
TOLERANCES	
2 PLACE DECIMAL	± .02
3 PLACE DECIMAL	± .005
4 PLACE DECIMAL	± .0005
ANGULAR	± 30'
MATERIAL	PROPRIETARY AND CONFIDENTIAL THE INFORMATION CONTAINED IN THIS DRAWING IS THE SOLE PROPERTY OF OnQ/LEGRAND. ANY REPRODUCTION IN PART OR AS A WHOLE WITHOUT THE WRITTEN PERMISSION OF OnQ/LEGRAND IS PROHIBITED.
FINISH	
WEIGHT	
DRAWING IS 3RD ANGLE PROJECTION DO NOT SCALE DRAWING	

DRAWN	-	DATE	-
APPROVED	-	DATE	-

		P.O. Box 60907 Harrisburg, PA 17106-0907 1-800-321-2343	
DESCRIPTION:			
42" COVER WITH TRIM RING			
SIZE	DWG NO	REV	
A	ENP4260-NA	A	
SCALE	1:10	SURFACE AREA	SHEET 1 OF 1

2

1