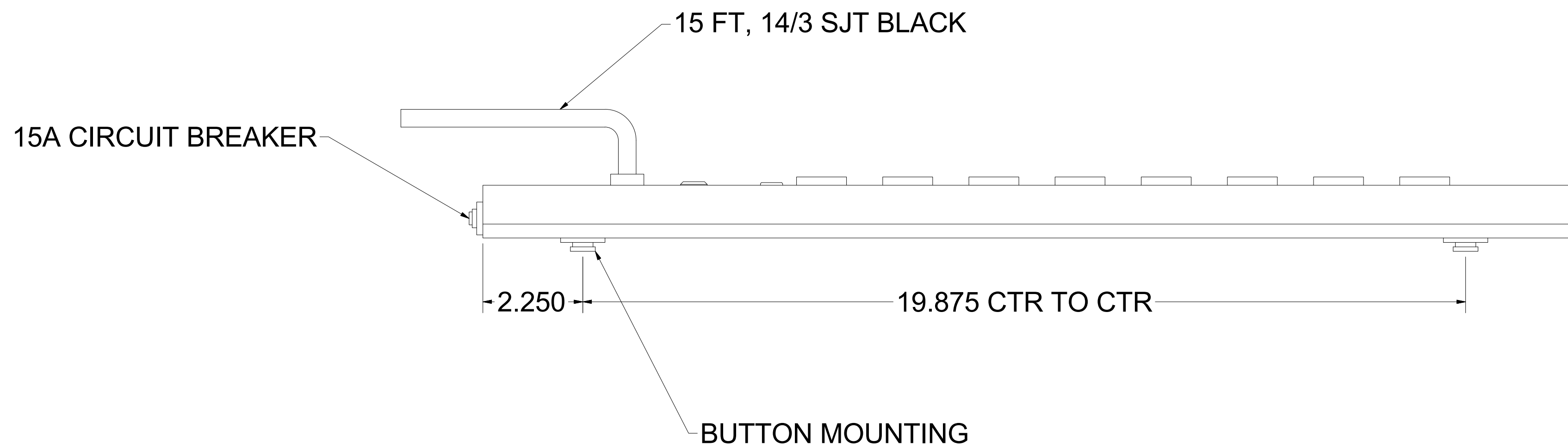


PART NUMBER: 7218-24
MADE IN THE USA: YES
MOUNTING: VERTICAL
AC RATING VOLTS: 125
AC RATING AMPS: 15 AMP DE-RATED 12 AMP UL
AC RATING WATTS: 1800
AC RATING FREQUENCY-Hz: 50/60 Hz
CIRCUIT BREAKER: 15A
POWER LED: GREEN
ON/OFF SWITCH: NO
OVER CURRENT PROTECTION: CB
POWER CABLE AWG: 14/3 SJT
POWER CABLE LENGTH: 15'
PLUG TYPE: NEMA 5-15P
RECEPTACLE TYPE: NEMA 5-15R
RECEPTACLE STYLE: EVENLY SPACED
RECEPTACLE QUANTITY: 8
MAX OUTPUT PER POWERSTRIP: 15 AMP
JOULE RATING: N/A
UL RATING: 60950-1
CLAMPING LEVEL: N/A
RESPONSE TIME: N/A
MAX SURGE CURRENT: N/A
EMI/RFI NOISE REDUCTION: N/A
SURGE INDICATOR RED LED: N/A
CONNECTED EQUIPMENT WARRANTY: N/A
PRODUCT WARRANTY-GLCC: YES
CERTIFICATION/AGENCY APPROVALS: UL, CSA
UNIT WEIGHT LBS.: 6



Product type, specification, price and availability are subject to change without prior notice.

EST. WEIGHT :
N/A

THIRD ANGLE
PROJECTION

INTERPRET DRAWING PER ASME Y14.5M-1994
 DIMENSIONAL LIMITS APPLY
 AFTER APPLICATION OF FINISH
 DRAWING NOT TO SCALE
 TOLERANCE UNLESS OTHERWISE NOTED:
 ANGULAR +/- .1°
 .XXXX +/- .010
 .XXX +/- .015
 .XX +/- .030
 .X FOR REF. ONLY
 UNLESS OTHERWISE SPECIFIED
 ALL DIMENSIONS ARE IN INCHES

NOTICE:
 Use of this document is subject to a confidentiality and nondisclosure agreement with Great Lakes Case & Cabinet Co., Inc. (GLCC) and may not be reproduced, disclosed or utilized in whole or in part without prior written authorization from GLCC.

PART NUMBER: 7218-24
 QTY PER UNIT: 1
 MATERIAL TYPE:
 MATERIAL GAUGE:
 FINISH:
 DRAWN: CA
 CHECKED & APP.:

TITLE: 125V, 15A, 8 POS. NEMA 5-15R, NEMA-15P PLUG, 15 FT. SJT CORD, 24" LONG, POWER STRIP
 GREAT LAKES CASE & CABINET CO., INC.
 P.O. BOX 551 EDINBORO, PA 16412
 PHONE (814) 734-7303 FAX (814) 734-3907
 E-MAIL glcc@greatcabinets.com

DWG NO: REV: - SHEET: 1 OF 1