



- Models FB2LEDX, FB2LEDX-CN, FB2LEDX-QC, and FB2LEDX-QC-S

Fireball® Hazardous Location LED Warning and Status Indicator Lights

The FB2LEDX family consists of single and multicolor models that can be used for both long distance signaling and status indication. All models are available in 12-24VDC and 120-240VAC and feature three flash patterns (60FPM, simulated strobe, and steady).

The zinc die-cast alloy base features an integrated 1/2-inch NPT pipe mount and three holes required for surface mount configurations. Optional hazardous location wall mount bracket is sold separately. All models come with a stainless steel wire guard for added protection, and they are designed to protect against corrosion, vibration, water- and dust-ingress and high pressure and temperature spray-downs. These units are ideal in harsh and hazardous applications including industrial warning, process control, status indication, food processing, and oil and gas environments.

FEATURES

- Available in 12-24VDC or 120-240VAC
- Three flash patterns; 60FPM, simulated strobe, and steady
- Single color FB2LED models are available with Amber, Blue, Clear, Green, or Red LEDs/lens
- Multicolor FB2LED-QC warning lights are available with a clear, fresnel lens, four colors (Amber, Blue, Green, and Red) in one unit
- Multicolor FB2LED-QC-S status indicator lights are available with a clear, opaque lens, four colors (Amber, Blue, Green, and Red) in one unit
- PLC compatible - works with standard PLC relay output cards or standard sourcing modules, and can be programmed and managed through PLC software
- Stainless steel wire guard
- 50,000 hour LED
- Integrated 1/2-inch NPT pipe and surface mount
- Indoor/outdoor use
- Type 4X, IP66 enclosure
- IP67, IP69K compliant
- CE certified (FB2LEDX-QC only)
- UL and cUL Listed for Class I, Division 2, Groups A, B, C and D; Class II, Division 2, Groups F and G; Class III
- UL and cUL Listed for Class I, Zone 2, AEx nA IIC Gc; Class II, Zone 22 AEx tc IIIC Dc (FB2LEDX-CN Models Only)

MODEL	VOLTAGE	OPERATING CURRENT	LIGHT OUTPUT	MOUNT
FB2LEDX¹-012-024 *	12-24VDC	0.48-0.24 amps	300 cd	1/2" NPT Pipe/Surface
FB2LEDX¹-120-240 *	120-240VAC 50/60Hz	0.03 amps	300 cd	1/2" NPT Pipe/Surface
FB2LEDX-QC-012-024	12-24VDC	0.32-0.17 amps	200 cd	1/2" NPT Pipe/Surface
FB2LEDX-QC-120-240	120-240VAC 50/60Hz	0.055 amps	200 cd	1/2" NPT Pipe/Surface
FB2LEDX-QC-012-024-S	12-24VDC	0.32-0.17amps	17 cd	1/2" NPT Pipe/Surface
FB2LEDX-QC-120-240-S	120-240VAC 50/60Hz	0.055 amps	17 cd	1/2" NPT Pipe/Surface

* Indicates color: (A) Amber, (B) Blue, (C) Clear, (G) Green, (M) Magenta, or (R) Red
¹-CN

HAZARDOUS LOCATION RATING: FB2LEDX, FB2LEDX-QC, & FB2LEDX-QC-S

T-CODE AT MAXIMUM AMBIENT TEMPERATURE, °C

Hazardous Location	66°C
Class I, Division 2, Groups A, B, C, D	T5
Class II, Division 2, Groups F, G	T6
Class III	T6

HAZARDOUS LOCATION RATING: FB2LEDX-CN

T-CODE AT MAXIMUM AMBIENT TEMPERATURE, °C

Hazardous Location	66°C
Class I, Zone 2	T5
Class II, Zone 22	T85

**Fresnel lens****Opaque lens****Single and Multicolor Warning Lights**

Single color and Multicolor FB2LEDX warning lights feature a fresnel lens that is designed to focus and direct light output into a specific beam pattern. The concentrated light output allows the light to be seen at a far distance, making it ideal for long distance signaling.

Single color FB2LEDX models feature a colored, fresnel lens are available in five colors (Amber, Blue, Clear, Green, Magenta, and Red) and feature Federal Signal's patented Power Select™ technology. PowerSelect allows a user to select one of three flash patterns without having to open the unit, by following a sequence when power is applied.

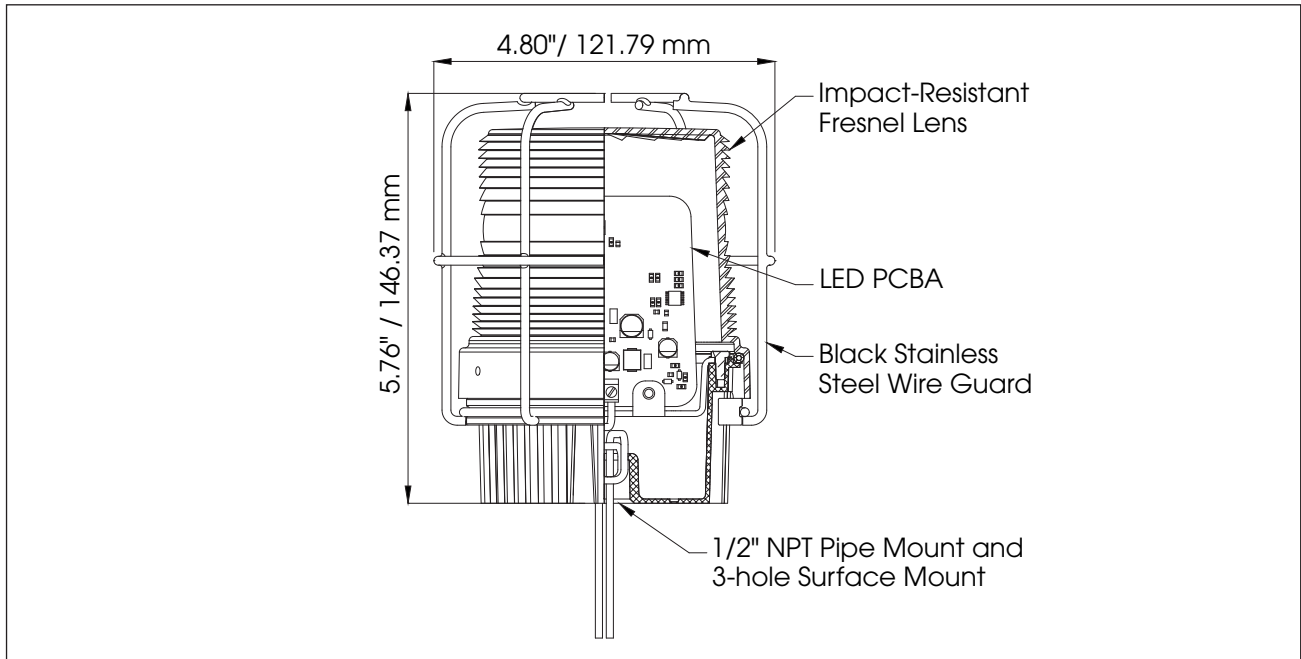
Multicolor FB2LEDX-QC models are available as warning lights and status indicators. The multicolor warning lights feature a clear, fresnel lens, four colors (Amber, Blue, Green, and Red) and three flash patterns per unit. Twelve color and flash pattern combinations are achieved by wiring selection.

Multicolor Status Indicator Lights

Multicolor FB2LEDX-QC-S status indicator lights feature an opaque lens that diffuses the LED light source to achieve a uniform appearance. This is ideal when a visual signal is needed in close proximity, such as work cells or HMI panels.

Multicolor status indicator lights feature a clear, opaque lens, four colors (Amber, Blue, Green, and Red), and three flash patterns per unit. Twelve color and flash pattern combinations are achieved by wiring selection.

Fireball® Hazardous Location LED Warning and Status Indicator Lights (FB2LEDX, FB2LEDX-CN, FB2LEDX-QC, and FB2LEDX-QC-S)



S P E C I F I C A T I O N S

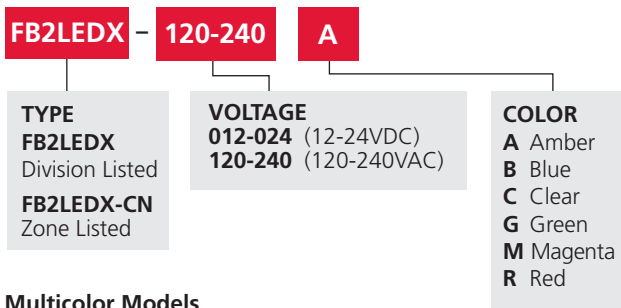
Lamp Life:	50,000 Hours	
Light Source:	LED	
Operating Temperature:	-49°F to 150°F	-45°C to 66°C
Net Weight:	1.75 lbs	0.79 kg
Shipping Weight:	2.05 lbs	0.93 kg
Height:	5.76"	146.37 mm
Diameter:	4.80"	121.79 mm

R E P L A C E M E N T P A R T S

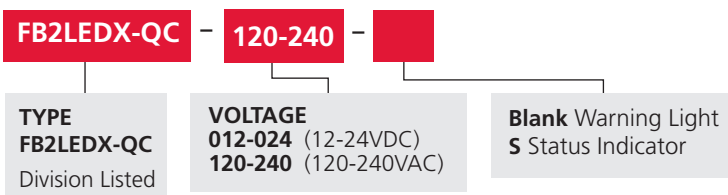
Description	Part Number
PCBA, 12-24VDC, for Single Color Amber, Green, or Red units	K20000401A
PCBA, 12-24VDC, for Single Color Blue, Magenta, or Clear units	K20000401A-01
PCBA, 120-240VAC, for Single Color Amber, Green, or Red units	K20000426A
PCBA, 120-240VAC, for Single Color Blue, Magenta, or Clear units	K20000426A-01
PCBA, 12-24VDC, for Multicolor units	K20000459A
PCBA, 120-240VAC, for Multicolor units	K20000458A

H O W T O O R D E R

Single Color Models



Multicolor Models



O P T I O N A L A C C E S S O R I E S

Description	Part Number
Wire Guard Assembly	FB2G
Wall Mount Kit, Hazardous Location	LHWB