



INSTALLATION

EM14A Light Duty Wall Mount



C261M-F (4/19)

Important Safety Instructions

Prior to installation and use of this product, the following WARNINGS should be observed.

1. Read these instructions.
2. Keep these instructions.
3. Heed all warnings.
4. Follow all instructions
5. Only use attachments/accessories specified by the manufacturer.
6. Installation should be done only by qualified personnel and conform to all local codes.
7. Unless the unit is specifically marked as a NEMA Type 3, 3R, 3S, 4, 4X, 6, or 6P enclosure, it is designed for indoor use only and it must not be installed where exposed to rain and moisture.
8. Use only installation methods and materials capable of supporting four times the maximum specified load.
9. Use stainless steel hardware to fasten the mount to outdoor surfaces.
10. To prevent damage from water leakage when installing a mount outdoors on a roof or wall, apply sealant around the bolt holes between the mount and mounting surface.
11. Only use replacement parts recommended by Pelco.

The product and/or manual may bear the following marks:



This symbol indicates that dangerous voltage constituting a risk of electric shock is present within this unit.



This symbol indicates that there are important operating and maintenance instructions in the literature accompanying this unit.

CAUTION:
RISK OF ELECTRIC SHOCK. DO NOT OPEN.

Please thoroughly familiarize yourself with the information in this manual prior to installation and operation.

Description

The EM14A light duty wall mount has been specifically designed for use with the EH14 series enclosures.

The EM14A can be installed on a wall or vertical surface, indoors or outdoors, and is capable of supporting up to 10 kilograms (22 pounds).

The EM14A has an adjustable tilt table that allows manual positioning of the enclosure.



EM14A

PARTS LIST

The following parts are supplied.

Qty	Description
1	Mount, light duty wall
2	Screw, Hex head, 1/4-20 x 0.375-inch
2	Split washers, 1/4-inch
2	Flat washers, 1/4-inch
1	Installation manual

USER SUPPLIED PARTS LIST

The following installation parts and tools are needed but not supplied.

Qty	Description
1	Enclosure, EH14, EH14-2, or EH14-3
1	Screwdriver for 1/4" hex head screws to attach the enclosure to the tilt table
2-4	Appropriate mounting fasteners depending on nature of mounting surface
1	Appropriate water-tight sealant, if installing the product outdoors

Installing the Mount

1. Using the wall mount as a template, mark the holes for the mounting hardware on the mounting surface.



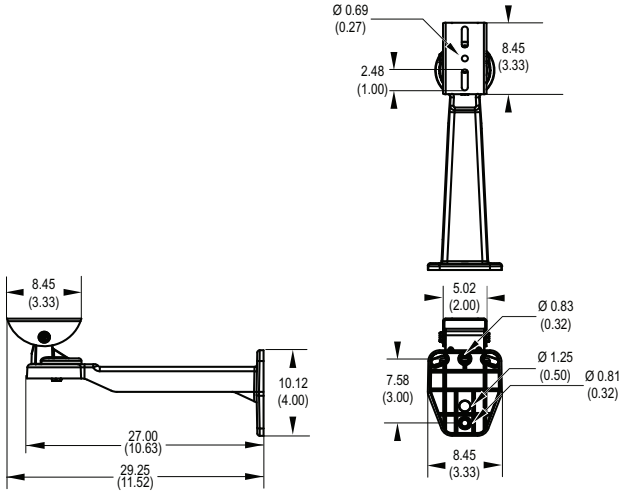
WARNINGS:

- Make certain the mounting surface can support the full load of the mount, enclosure, and camera.
 - When installing the mount outdoors, seal the bolt holes with an appropriate sealant to prevent water damage to the mounting surface. Apply the sealant around the bolt holes between the mount and the mounting surface.
2. Prepare the surface.
 3. Attach the mount to the mounting surface with the appropriate hardware (not supplied). If you install the mount outdoors, apply a sealant between the mount and the mounting surface.
 4. Attach the enclosure to the tilt table with the two 1/4-20 x 0.375-inch hex screws, split washers, and flat washers (supplied). Tighten screws to 30-40 in-lbs (3.4-4.5 Nm).
 5. Adjust the pan position of the mount:
 - a. Loosen the bolt on the tilt table support bracket.
 - b. Adjust the pan position of the tilt table by moving it to the left or right.
 - c. Re-tighten the bolt to 65-75 in-lbs (7.3-8.5 Nm).
 6. Adjust the tilt position of the mount:
 - a. Loosen the two bolts on the tilt table.
 - b. Move the tilt table up or down.
 - c. Re-tighten the bolts to 65-75 in-lbs (7.3-8.5 Nm).



NOTE: VALUES IN PARENTHESES ARE INCHES; ALL OTHERS ARE CENTIMETERS.

EM14A



WARRANTY STATEMENT

For information about Pelco's product warranty and thereto related information, refer to www.pelco.com/warranty.



This equipment contains electrical or electronic components that must be recycled properly to comply with Directive 2002/96/EC of the European Union regarding the disposal of waste electrical and electronic equipment (WEEE). Contact your local dealer for procedures for recycling this equipment.

REVISION HISTORY

Manual #	Date	Comments
C261M	3/99	Original version.
C261M	3/00	Revised Figure 1 and installation step 4 per ECO 00-5634.
C261M-A	2/06	Revised to new format. Corrected measurements in dimension drawing.
C261M-B	1/08	Revised mounting head hole pattern per ECO 07-17992.
C261M-C	1/11	Updated the Important Safety Instructions and Warranty, revised the Installation and Specifications sections, and applied current format.
C261M-D	4/14	Updated template, metric/imperial dimensions, and supplied screw size.
C261M-E	8/14	Added EM14 Wall Mount.
C261M-F	4/19	Added EM14A Wall Mount.

Pelco, the Pelco logo, and other trademarks associated with Pelco products referred to in this publication are trademarks of Pelco, Inc. or its affiliates. All other product names and services are the property of their respective companies. ONVIF and the ONVIF logo are trademarks of ONVIF Inc. Product specifications and availability are subject to change without notice.

© Copyright 2019, Pelco, Inc. All rights reserved.

PELCO™

Pelco, Inc. 625 W. Alluvial Fresno, California 93711 United States USA & Canada
Tel (800) 289-9100 Fax (800) 289-9150
International Tel +1 (559) 292-1981 Fax +1 (559) 348-1120
www.pelco.com