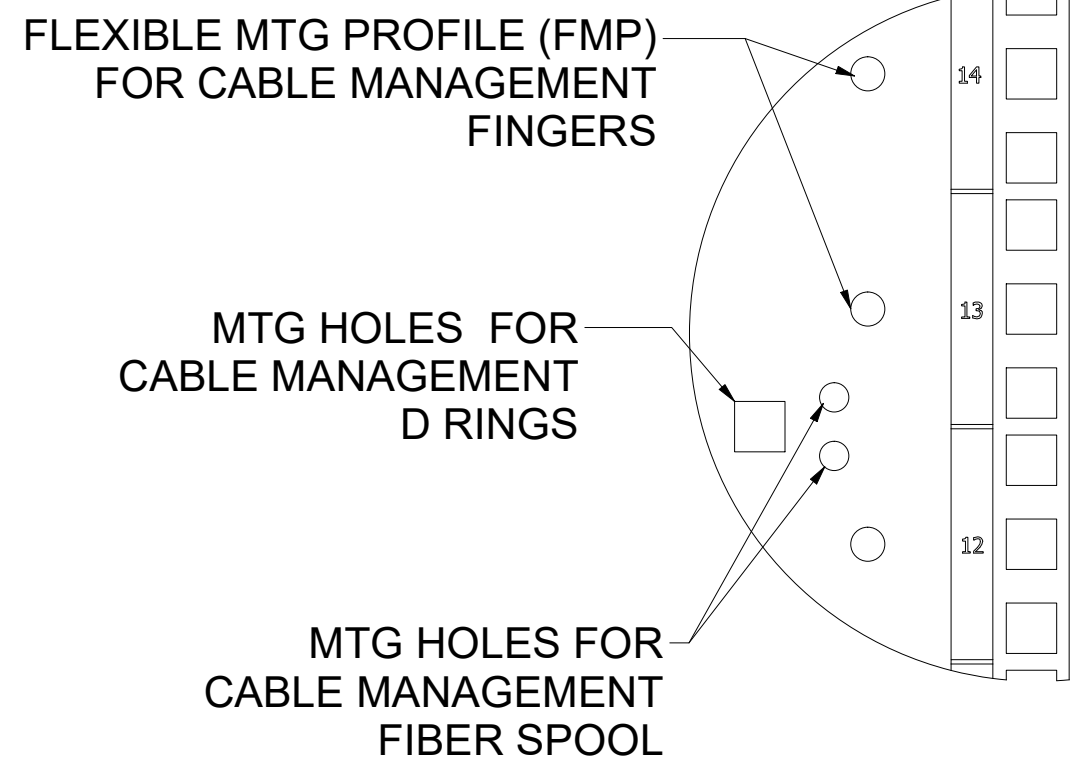
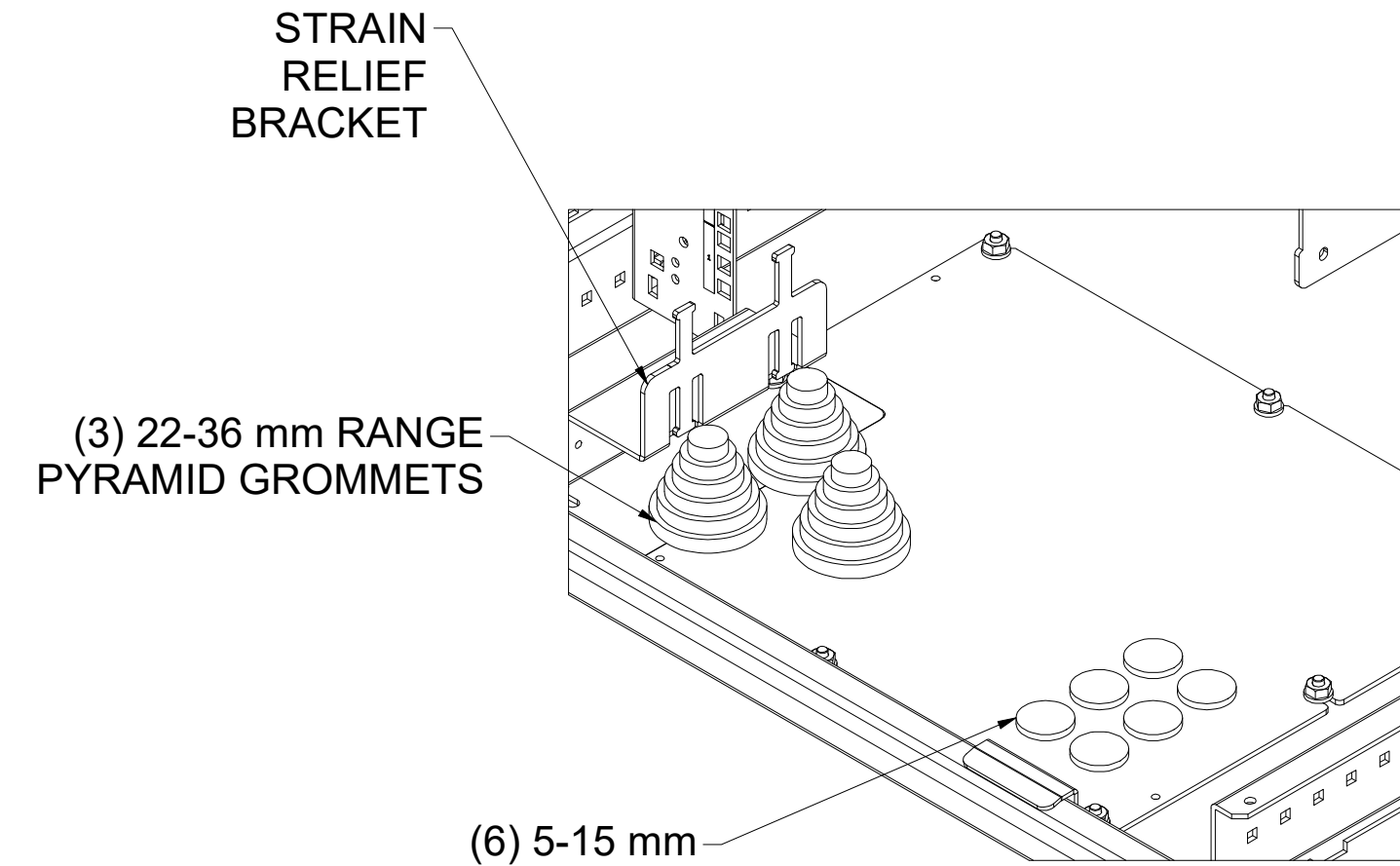


**DETAIL C**  
19" EIA SHOWN

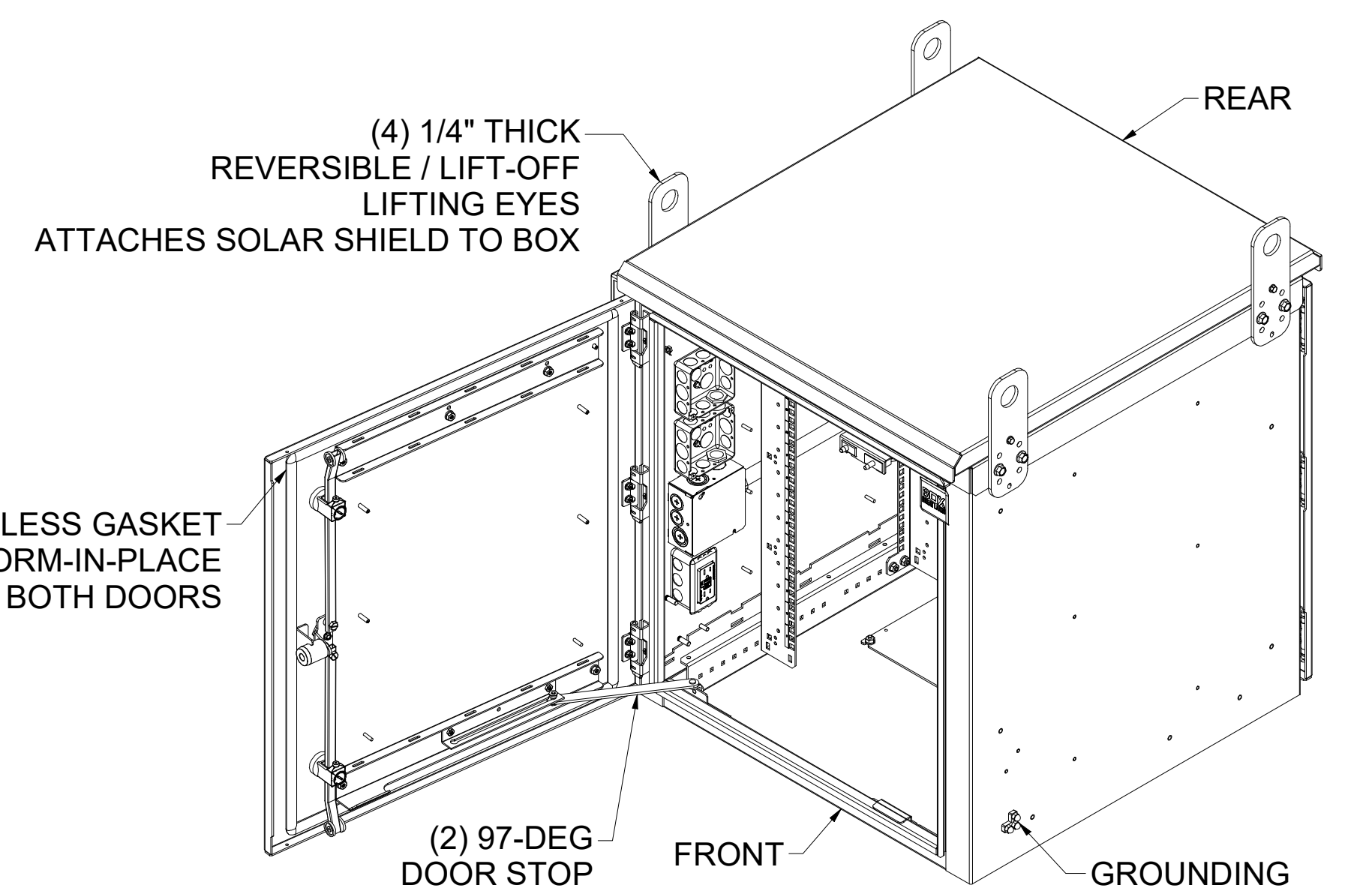
EQUIPMENT MTG HOLES  
3/8" SQ WITH M6 HARDWARE (STD)  
**#12-24 THREADED HOLES**  
**ARE OPTIONAL**  
310-E-EIA COMPLIANT  
16 RMU  
ROTATE RAILS FOR 23" EIA



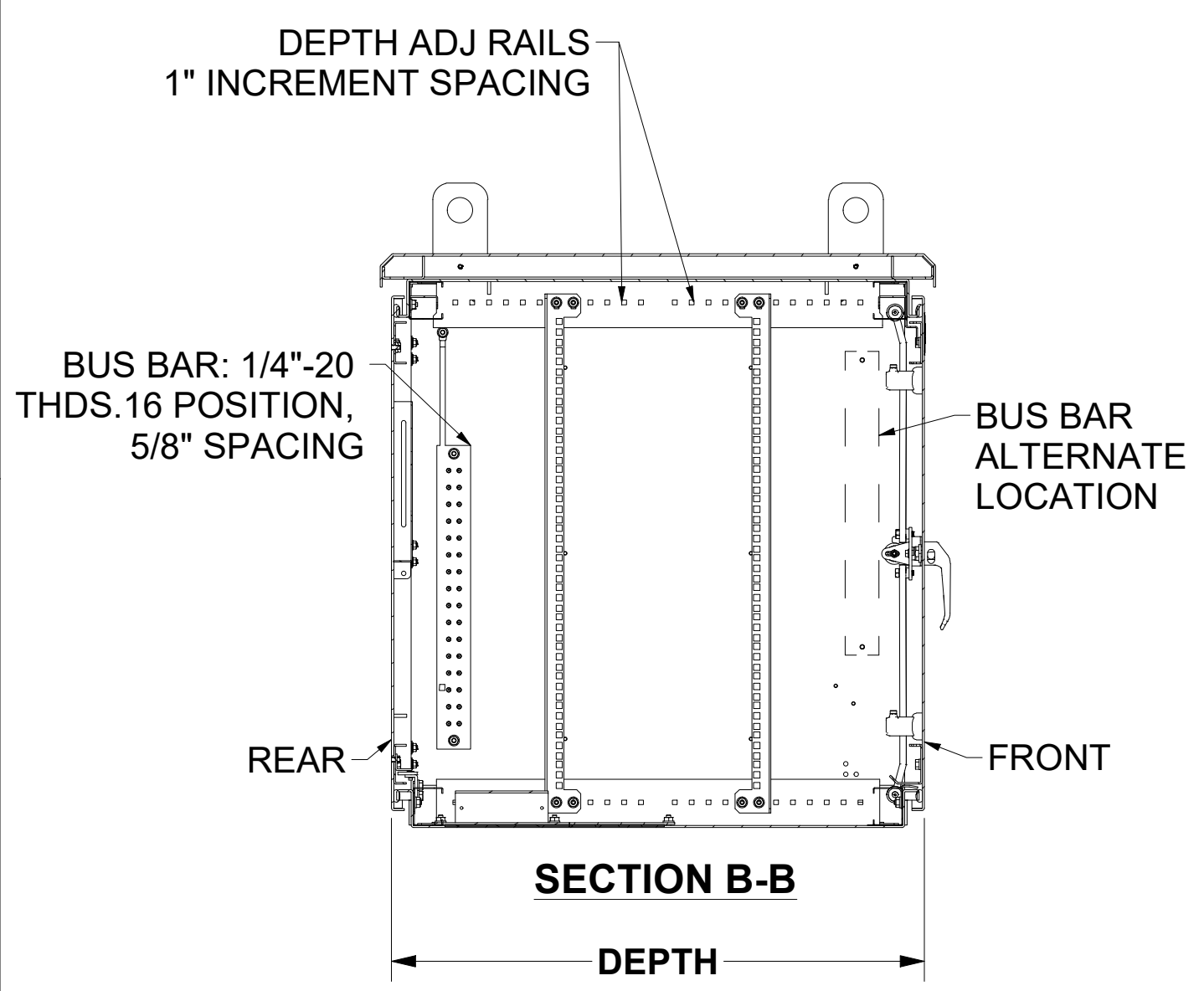
**DETAIL D**  
19" EIA SHOWN



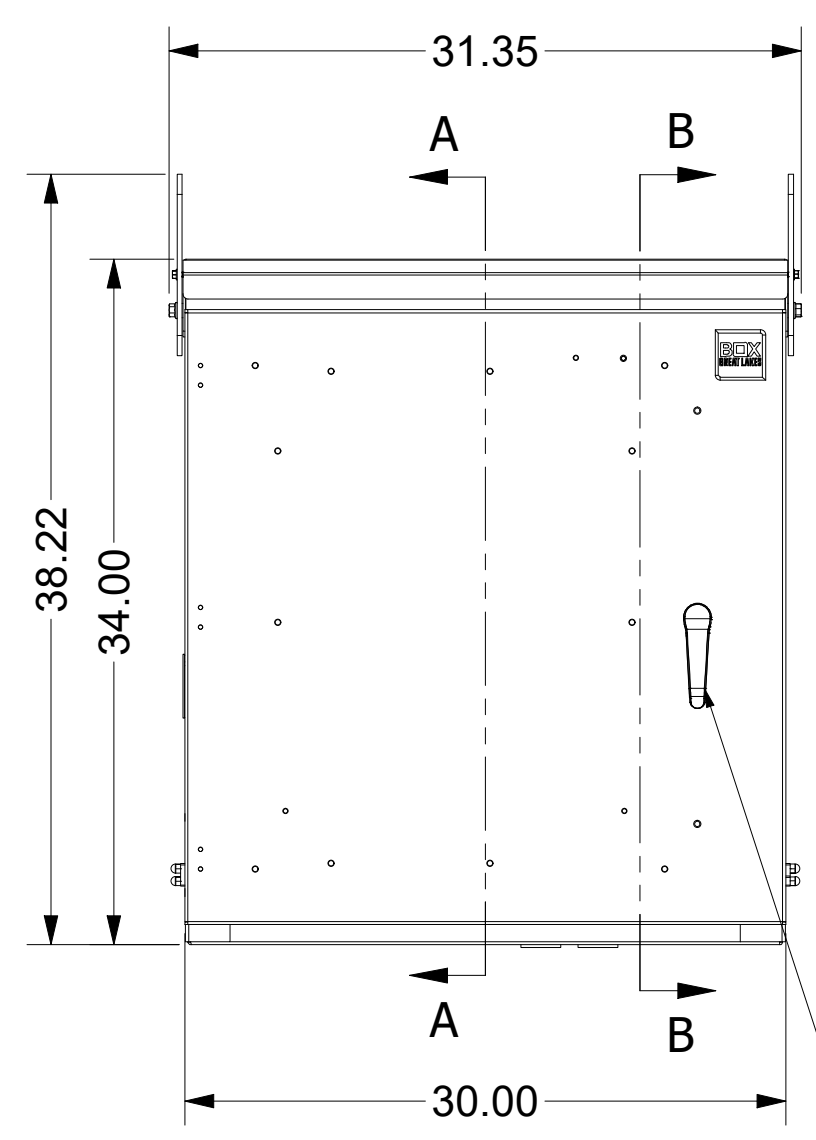
**DETAIL E**  
COMPONENT REMOVED FOR CLARITY



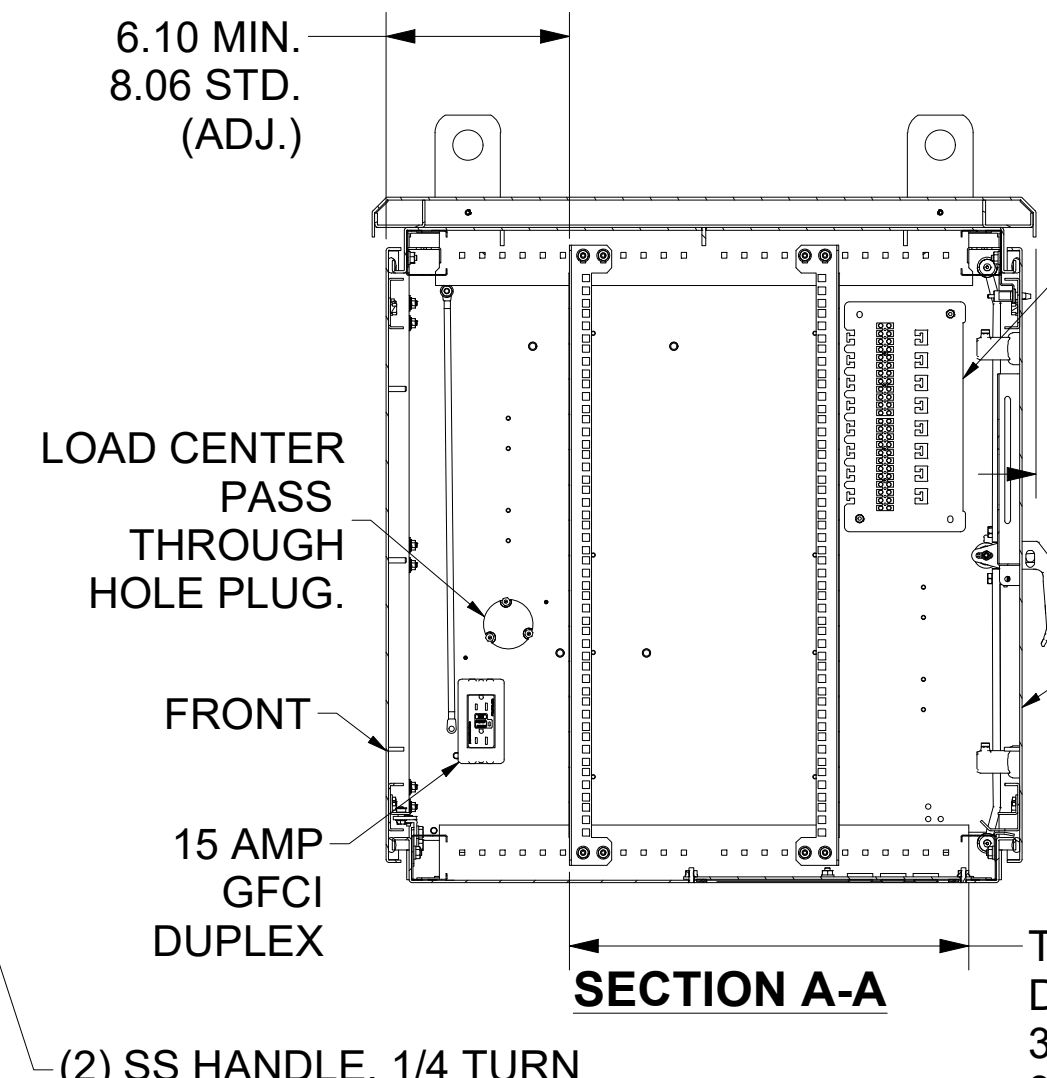
**FRONT ISO VIEW**



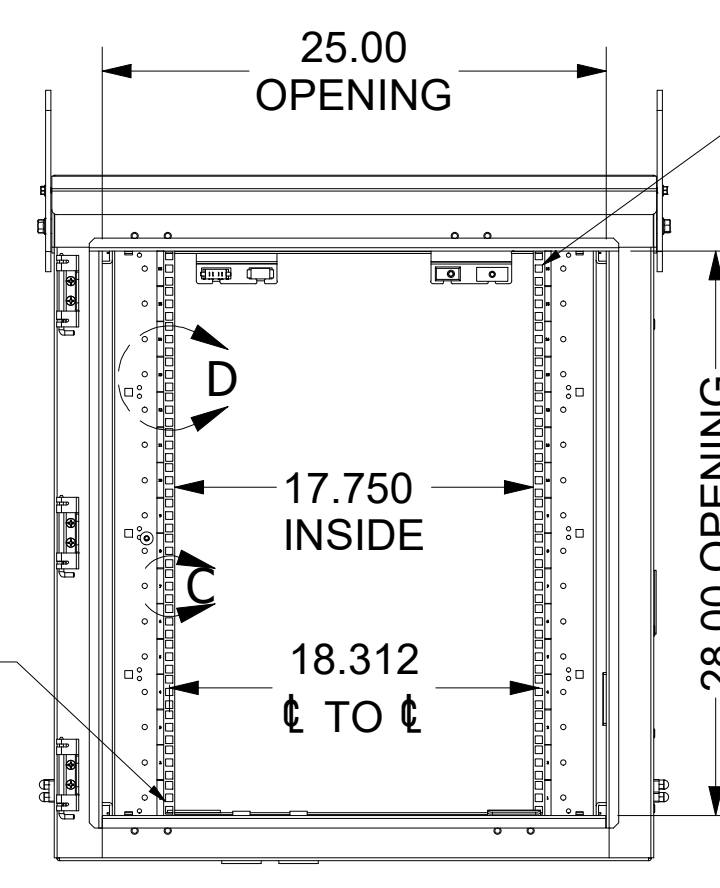
**SECTION B-B**  
DEPTH



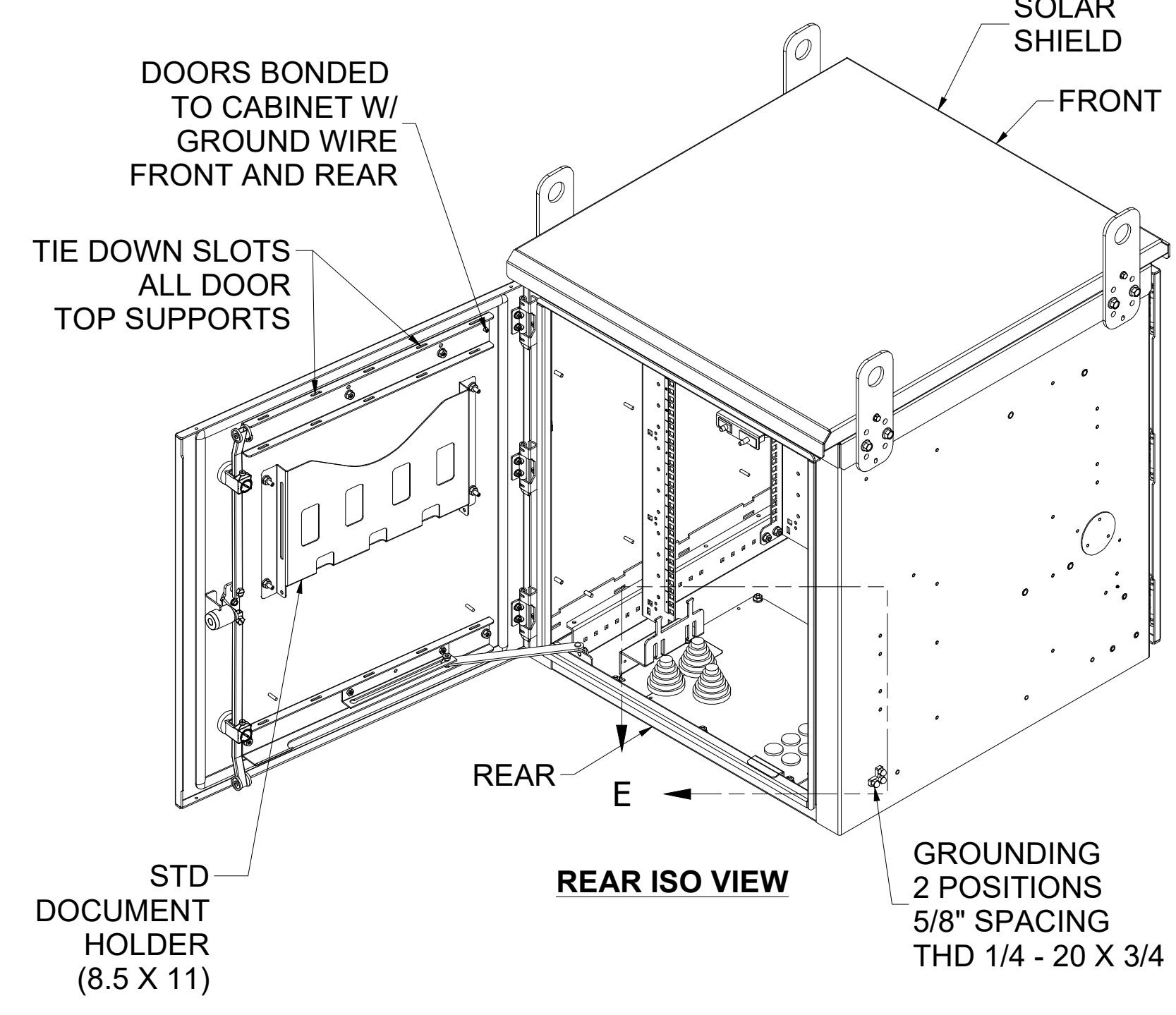
**FRONT VIEW**



**SECTION A-A**



**REAR VIEW**  
REAR VIEW TYPICAL COMPONENTS REMOVED FOR CLARITY



**REAR ISO VIEW**

**SPECIFICATIONS:**

- RACK SPACES:** 16 RMU w/ NUMBERED RMU INDICATORS 19" AND 23" EIA 310-E COMPLIANT
- MOUNTING RAILS:** STD 3/8" SQ MTG HOLES W/ M6 HARDWARE INCLUDED #12-24 THREADED HOLES ARE OPTIONAL
- COLOR:** DURABLE TEXTURE POWDER COATING / U.V RATED RAL 7035 GRAY STD
- CONSTRUCTION:** 2 PAIR MOUNTING RAILS, #12 GA. C.R.S. FULLY WELDED FRAME, .125" THK AL (5150) DOOR, SIDE PANEL, TOP PANEL, .125" THK AL (5150) SEAMS FULLY WELDED FOR NEMA 250 TYPE 4 LAP CONSTRUCTION FOR NEMA 250 TYPE 3R

- HARDWARE:** PACKAGE OF QTY-50; M6 SCREWS AND CAGE NUTS, INCLUDED.
- RATING:** SEE CHART
- STANDARDS:** UL LISTED PER UL508A AND CSA CERTIFIED PER CSA C22.2 No. 14
- SHIPPING:** SHOCK PALLET WHEN INTEGRATED WITH EQUIPMENT OTHERWISE STANDARD PALLET

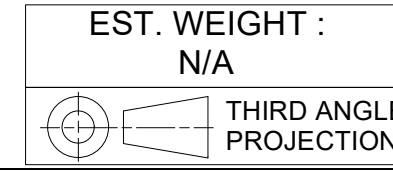
TO CONFIGURE A BOX CABINET, USE THE ATTRIBUTE CHART BELOW  
SELECT AN OPTION FROM EACH COLUMN  
EXAMPLE PART NUMBER: SB04-16U32-G-04-AC010-115:  
BOX SINGLE BAY ENCLOSURE, 16U, 32"D, GRAY, 4" RISER, HVAC UNIT (1,000 BTU, 115V)  
**\* SEE PAGE 2 FOR MORE HVAC INFORMATION**

CONFIGURATION CHART					
RATING: SBxx-	RMU: xxU	DEPTH: xx-	COLOR: x-	PLINTH: xx-	COOLING HVAC *: xxxxx-xxx
3R - TYPE 3R	16	32	G - Gray	00- NONE	AC010-115
04 - TYPE 4		36		04 - 4" RISER	AC020-115
		42		12 - 12" RISER	HX017-048
				16 - 16" BATTERY PLINTH	HX022-048
					00000-000 (NONE)

INTERPRET DRAWING PER ASME Y14.5M-1994
DIMENSIONAL LIMITS APPLY AFTER APPLICATION OF FINISH
DRAWING NOT TO SCALE
TOLERANCE UNLESS OTHERWISE NOTED:
ANGULAR +/- .1
.XXXX +/- .010
.XXX +/- .015
.XX +/- .030
.X FOR REF. ONLY
UNLESS OTHERWISE SPECIFIED ALL DIMENSIONS ARE IN INCHES

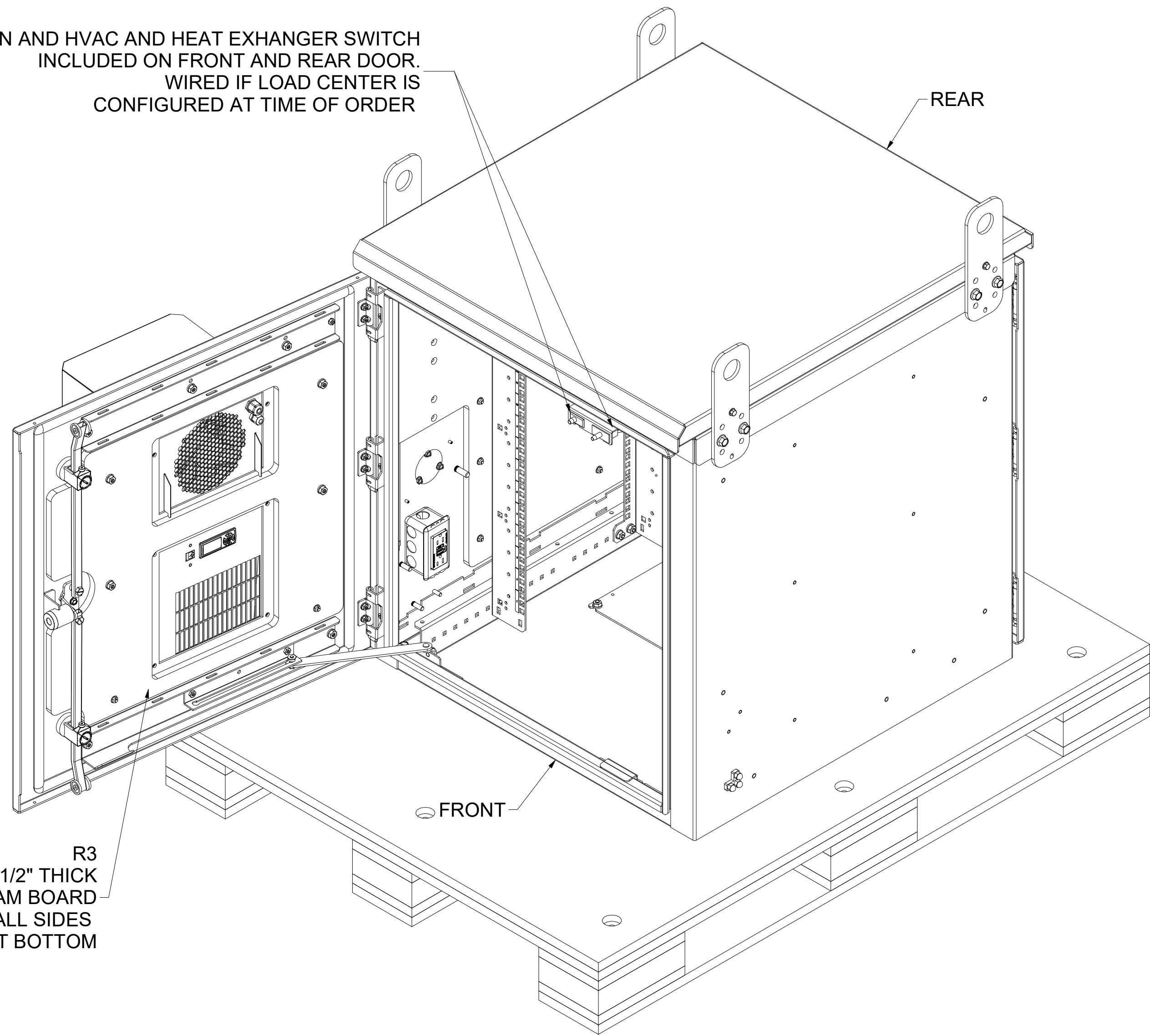
**NOTICE:**  
Use of this document is subject to a confidentiality and nondisclosure agreement with Great Lakes Data Racks & Cabinets and may not be reproduced, disclosed or utilized in whole or in part without prior written authorization from Great Lakes.

PART NUMBER: SBxx-16Uxx	TITLE: BOX SERIES, SINGLE BAY, TYPE-xx, 16 RMU, 30" WIDE
MATERIAL TYPE: SEE NOTES	GREAT LAKES DATA RACKS & CABINETS P.O. BOX 551 EDINBORO, PA 16412 PHONE (814) 734-7303 FAX (814) 734-3907 E-MAIL info@greatcabinets.com
MATERIAL GAUGE: SEE NOTES	
FINISH: POWDERCOAT	
DRAWN PTH	DATE 2/17/25
CHECKED & APP. CND	DATE 2/17/25
DWG NO: BXSbxx-16Uxx	REV: 4
	SHEET: 1 OF 6

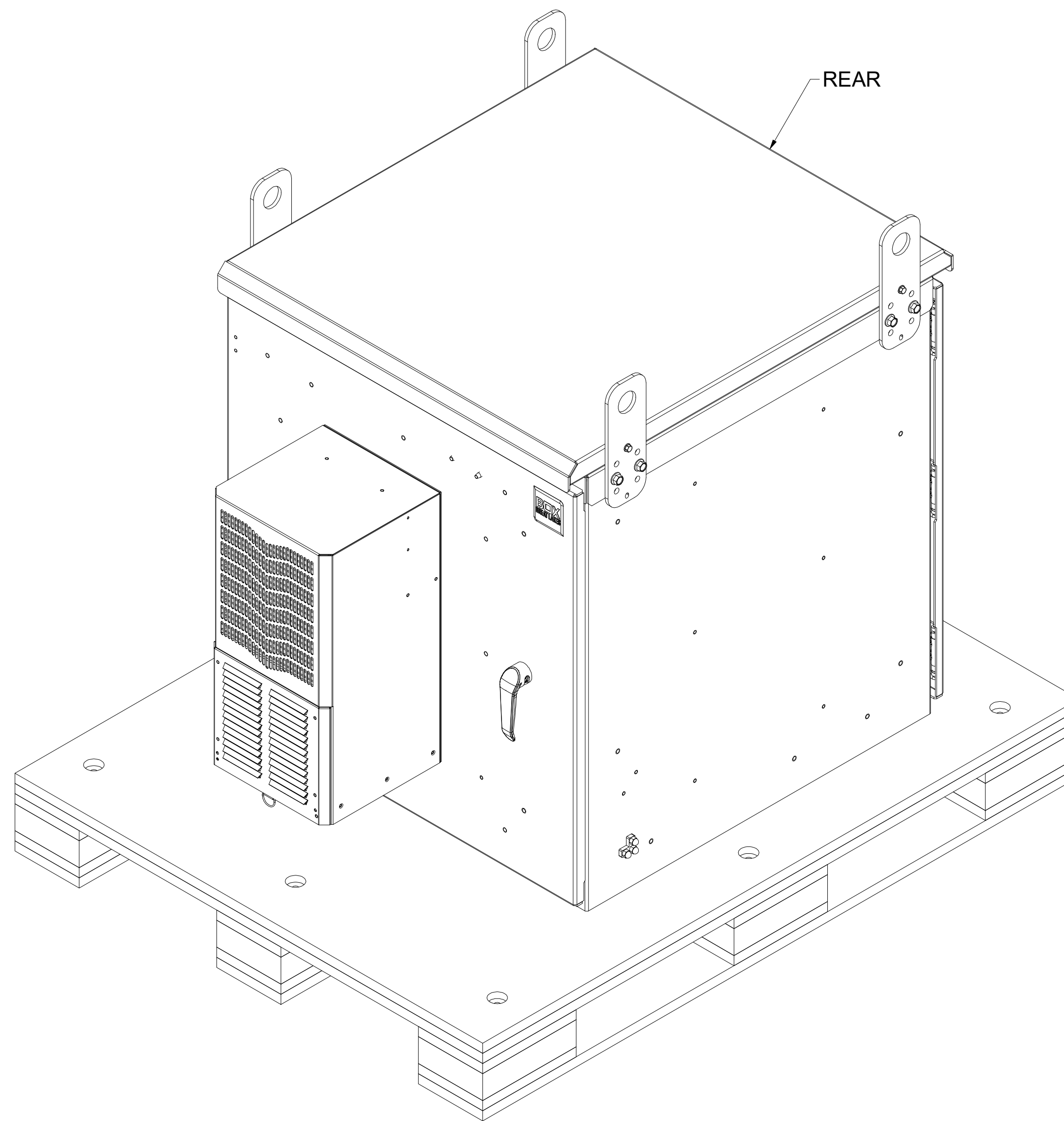


# HVAC AND HEAT EXCHANGER OPTION

DOOR INTRUSION AND HVAC AND HEAT EXCHANGER SWITCH INCLUDED ON FRONT AND REAR DOOR. WIRED IF LOAD CENTER IS CONFIGURED AT TIME OF ORDER



**FRONT ISO VIEW**  
HVAC AND HEAT EXCHANGER OPTION  
**INSULATION ONLY INCLUDED WITH HVAC OPTION**  
DOOR AND FRONT INSULATION WILL CHANGE PER HVAC UNIT



**FRONT ISO VIEW**  
HVAC AND HEAT EXCHANGER OPTION  
**INSTALLED WHEN CONFIGURED WITH THE CABINET**

## HVAC - AIR CONDITIONER OPTIONS

PART #	PRODUCT #	BTU / h	WATTS	VOLTS	DIMENSIONS	WEIGHT	COLOR	REFRIGERENT	INTERFACE	POWER CORD	ADDITIONAL COMMENTS
AC010-115	1830801	1,000	300	115V / 50-60 Hz	20"H x 10"W x 9.9"D	31 LB.	RAL 7035 GRAY	R134a	SNMP LEVEL 3	6 FT. W/ NEMA 5-15P	150W HEATER INCLUDED
AC020-115	1830803	2,000	600	115V / 50-60 Hz	20"H x 10"W x 9.9"D	40.7 LB.	RAL 7035 GRAY	R134a	SNMP LEVEL 3	6 FT. W/ NEMA 5-15P	500W HEATER INCLUDED
00000-000	NO HVAC OPTION	-	-	-	CABINET SHIPS WITH SOLID FRONT DOOR	-	-	-	-	-	-

## HVAC - HEAT EXCHANGER OPTIONS

PART #	PRODUCT #	COOLING CAPACITY	COOLING CAPACITY @ ΔT 10K	VOLTS	DIMENSIONS	WEIGHT	COLOR	REFRIGERENT	INTERFACE	POWER CORD
HX017-048	1805044	17 W/F	300 W / 1,000 BTU	48 VDC	18"H x 18"W x 4.9"D	27 LB.	RAL 7035 GRAY	R134a	MODBUS RTU	6 FT. 3 CORE
HX022-048	1805041	22 W/F	400 W / 1,300 BTU	48 VDC	23.7"H x 12.2"W x 6.7"D	30 LB.	RAL 7035 GRAY	R134a	MODBUS RTU	6 FT. 3 CORE

INTERPRET DRAWING PER ASME Y14.5M-1994  
DIMENSIONAL LIMITS APPLY AFTER APPLICATION OF FINISH  
DRAWING NOT TO SCALE  
TOLERANCE UNLESS OTHERWISE NOTED:  
ANGULAR +/- .1"  
.XXXX +/- .010  
.XXX +/- .015  
.XX +/- .030  
.X FOR REF. ONLY  
UNLESS OTHERWISE SPECIFIED ALL DIMENSIONS ARE IN INCHES

### NOTICE:

Use of this document is subject to a confidentiality and nondisclosure agreement with Great Lakes Data Racks & Cabinets and may not be reproduced, disclosed or utilized in whole or in part without prior written authorization from Great Lakes.

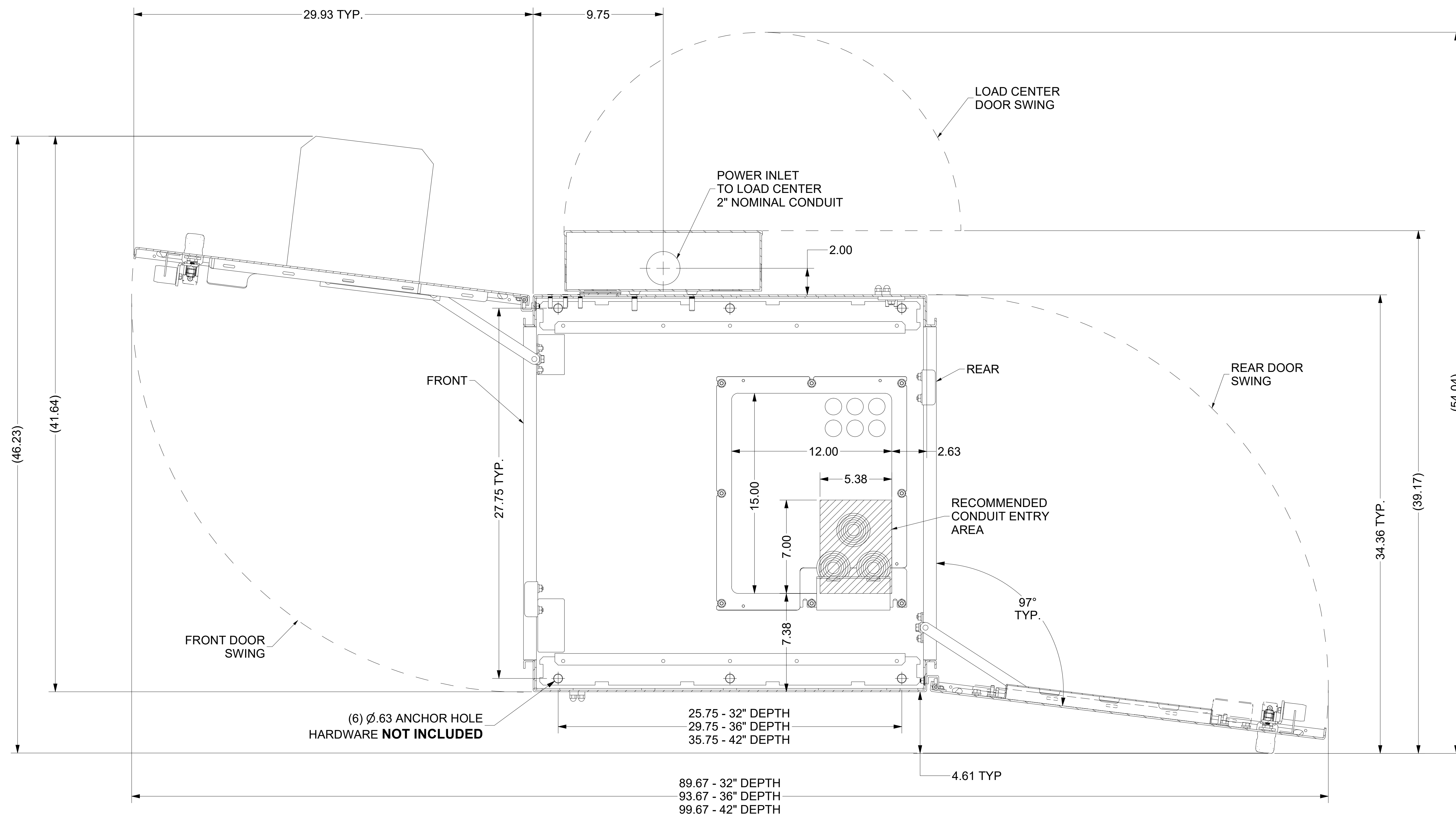
PART NUMBER: SBxx-16Uxx  
MATERIAL TYPE: SEE NOTES  
MATERIAL GAUGE: SEE NOTES  
FINISH: POWDERCOAT  
DRAWN: PTH  
CHECKED & APP. CND  
DATE: 2/17/25  
DATE: 2/17/25

TITLE: BOX SERIES, SINGLE BAY, TYPE-xx, 16 RMU, 30" WIDE  
GREAT LAKES DATA RACKS & CABINETS  
P.O. BOX 551 EDINBORO, PA 16412  
PHONE (814) 734-7303 FAX (814) 734-3907  
E-MAIL info@greatcabinets.com

EST. WEIGHT : N/A  
THIRD ANGLE PROJECTION

DWG NO: BXSbxx-16Uxx  
REV: 4  
SHEET: 2 OF 6

# CLEARANCE & MOUNTING



**TOP SECTION VIEW  
LARGEST HVAC OPTION  
WITH LOAD CENTER SHOWN  
FOR REFERENCE  
GLAND PLATE TRANSPARENT  
COMPONENTS HIDDEN FOR CLARITY**

EST. WEIGHT :  
N/A

THIRD ANGLE  
PROJECTION

INTERPRET DRAWING PER ASME Y14.5M-1994  
DIMENSIONAL LIMITS APPLY  
AFTER APPLICATION OF FINISH  
DRAWING NOT TO SCALE  
TOLERANCE UNLESS OTHERWISE NOTED:  
ANGULAR +/- .1°  
.XXXX +/- .010  
.XXX +/- .015  
.XX +/- .030  
.X FOR REF. ONLY  
UNLESS OTHERWISE SPECIFIED  
ALL DIMENSIONS ARE IN INCHES

**NOTICE:**

Use of this document is subject to a confidentiality and nondisclosure agreement with Great Lakes Data Racks & Cabinets and may not be reproduced, disclosed or utilized in whole or in part without prior written authorization from Great Lakes.

PART NUMBER:  
**SBxx-16Uxx**

MATERIAL TYPE:  
**SEE NOTES**

MATERIAL GAUGE:  
**SEE NOTES**

FINISH:  
**POWDERCOAT**

DRAWN PTH  
CHECKED & APP. CND

DATE 2/17/25  
DATE 2/17/25

TITLE  
BOX SERIES, SINGLE BAY, TYPE-xx, 16 RMU, 30" WIDE

GREAT LAKES DATA RACKS & CABINETS  
P.O. BOX 551 EDINBORO, PA 16412  
PHONE (814) 734-7303 FAX (814) 734-3907  
E-MAIL info@greatcabinets.com

DWG NO:  
**BXSBxx-16Uxx**

REV  
**4**

SHEET: 3 OF 6

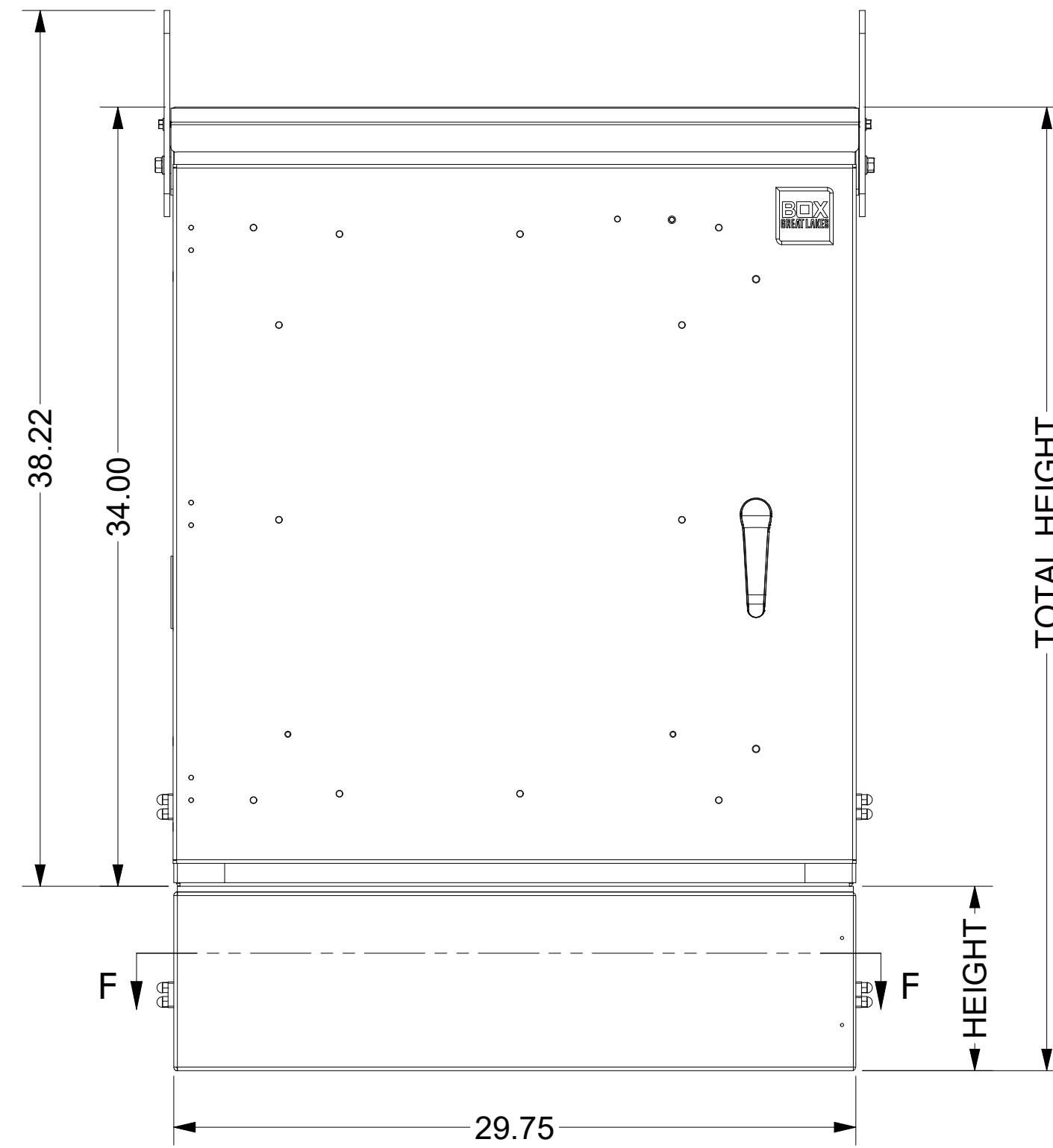
# PLINTH / RISER OPTIONS

PART NUMBER	DESCRIPTION	HEIGHT	TOTAL HEIGHT	CONSTRUCTION
BXSBALR04xx*	4" HIGH RISER	3.80" + GASKET	37.93	FULLY WELDED, .125" THICK ALUMINUM
BXSBALR12xx*	12" HIGH RISER	11.80" + GASKET	45.93	FULLY WELDED, .125" THICK ALUMINUM
BXSBABP16xx*	16" HIGH BATTERY PLINTH	15.80" + GASKET	49.93	FULLY WELDED, .125" THICK ALUMINUM, WITH ALUMINUM BATTERY TRAY AND ACCESS DOORS

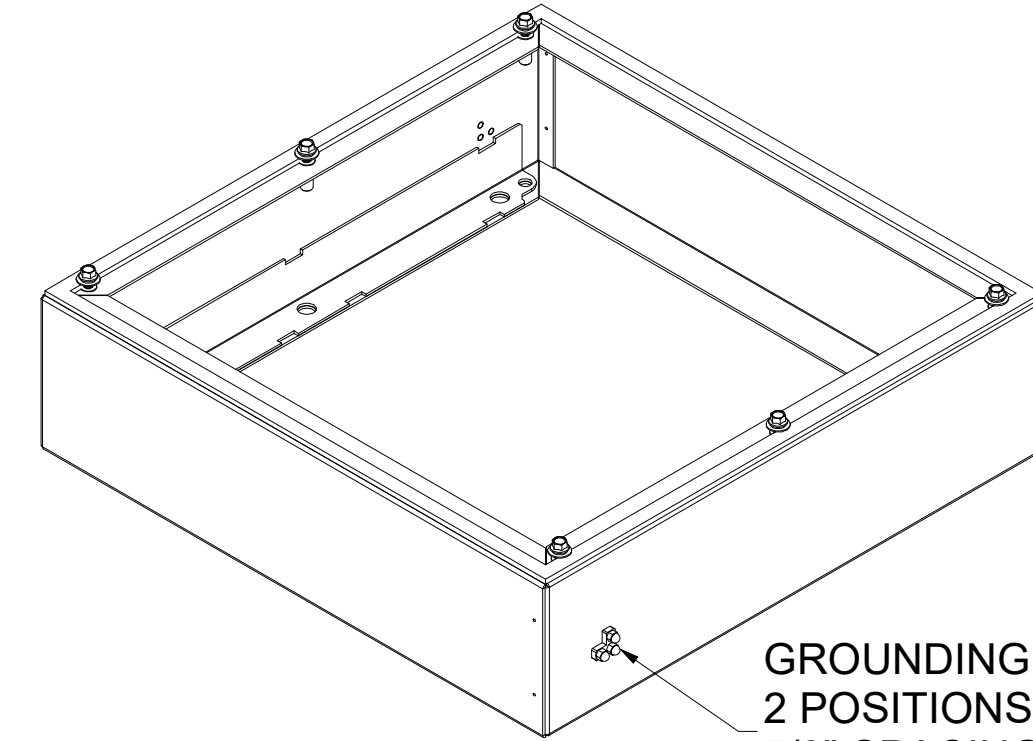
xx\* TO BE CABINET DEPTH  
PART NUMBERS ONLY APPLIES IF ORDERED SEPERATELY FROM CABINET.

## NOTES BELOW APPLY TO BOTH RISER AND PLINTH OPTIONS

- GROUNDING: 2 POSITIONS, 5/8" SPACING.
- (6) 3/8-16 BOLTS FOR FASTENING TO ENCLOSURE AND GASKET INCLUDED.
- SHIPPED WITHIN OR ON TOP OF CABINET AS STANDARD.
- MOUNTING DETAILS
- **INSTALLATION TO BE SPECIFIED UPON RECEIPT OF ORDER.**



**FRONT VIEW**  
(RISER VERSION SHOWN)



**4" AND 12" RISER**

GROUNDING  
2 POSITIONS  
5/8" SPACING  
THD 1/4 - 20 X 3/4

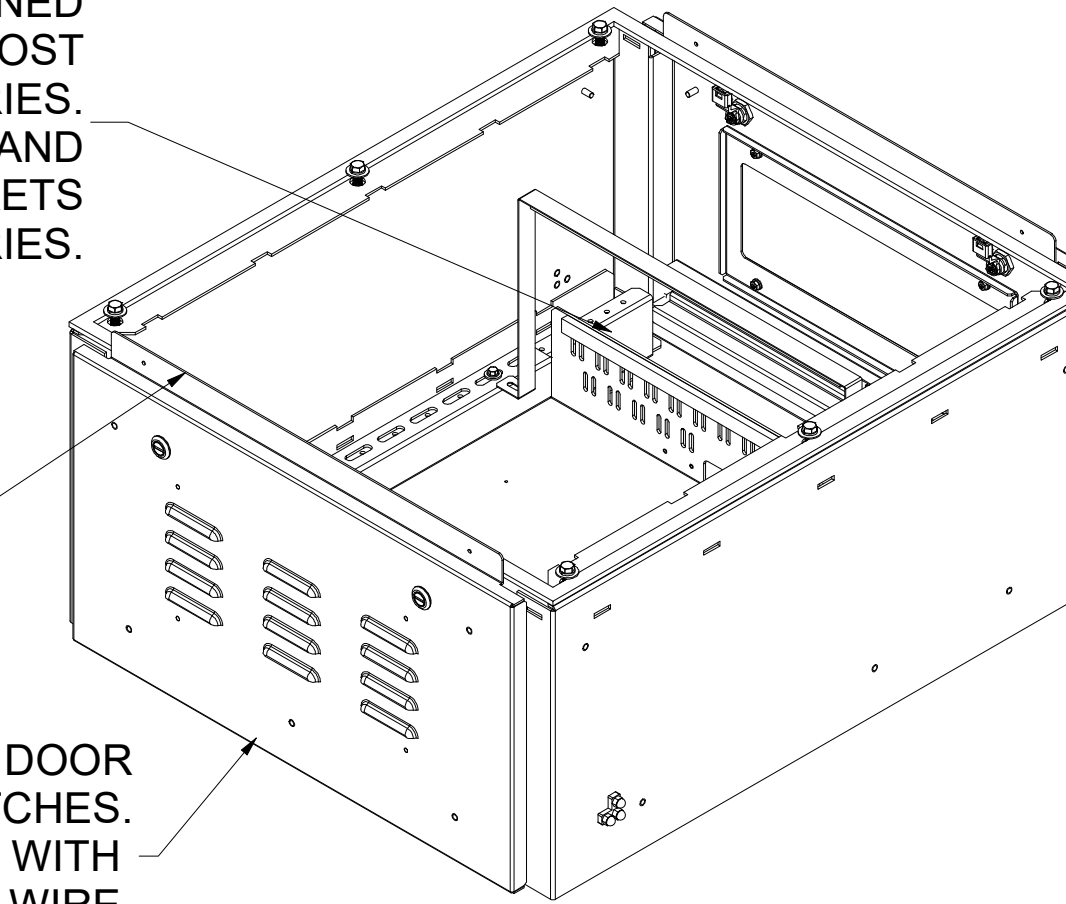
32" DEEP CABINETS (SEE NOTE) - 6.00  
36" DEEP CABINETS - 5.38  
42" DEEP CABINETS - 12.00

BATTERY TRAY DESIGNED TO FIT (4) STANDARD FRONT POST TELECOM BATTERIES. TRAY INCLUDES FRONT AND TOP SECURING BRACKETS FOR BATTERIES.

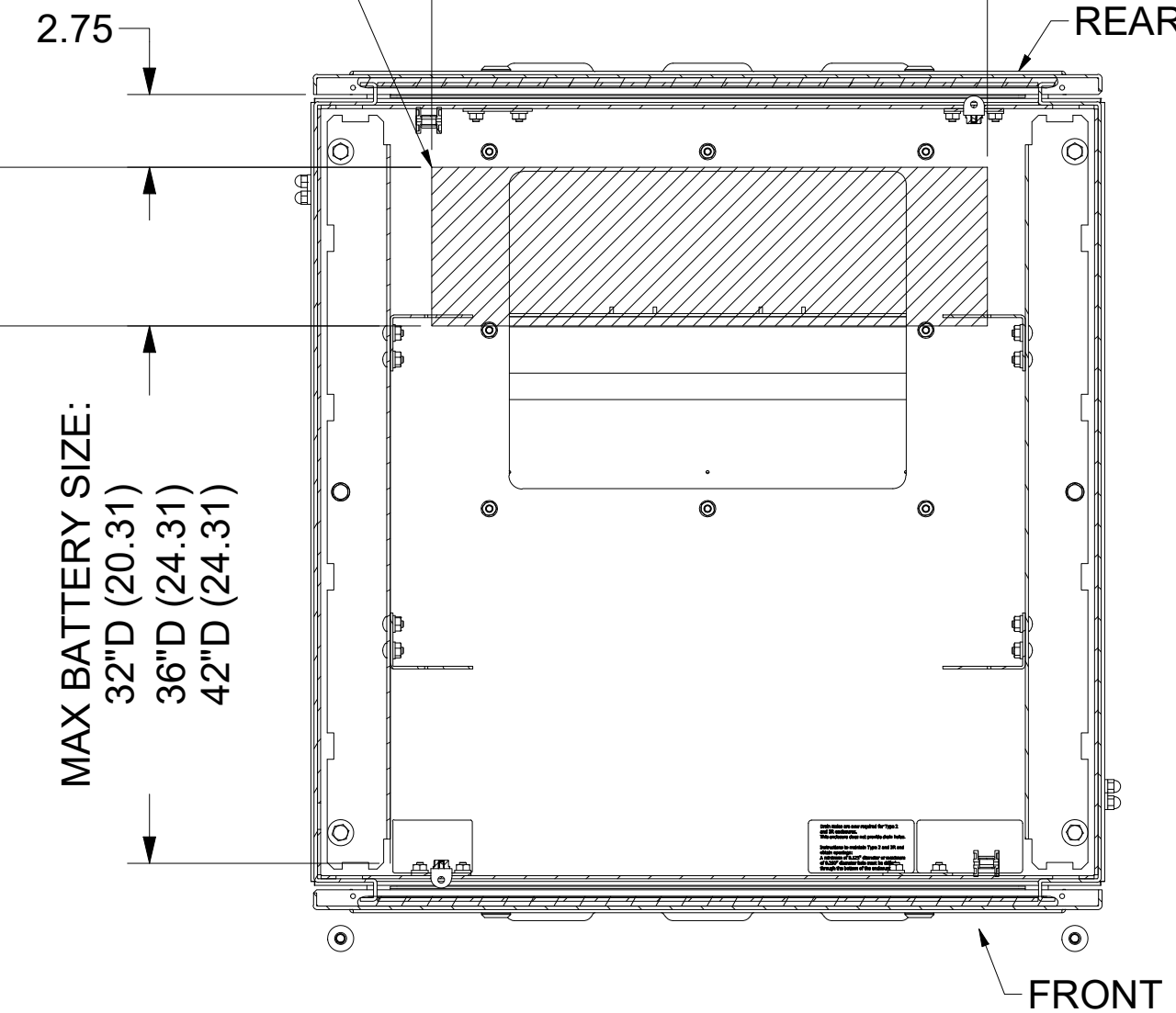
FLANGE SECURES ACCESS DOOR WHEN MAIN CABINET DOOR IS CLOSED

VENTED AND SCREENED ACCESS DOOR W/ (2) QUARTER TURN LATCHES. BONDED TO FRAME WITH GROUND WIRE. TYP. FRONT AND REAR

**16" BATTERY PLINTH**  
TOP PANEL HIDDEN FOR CLARITY



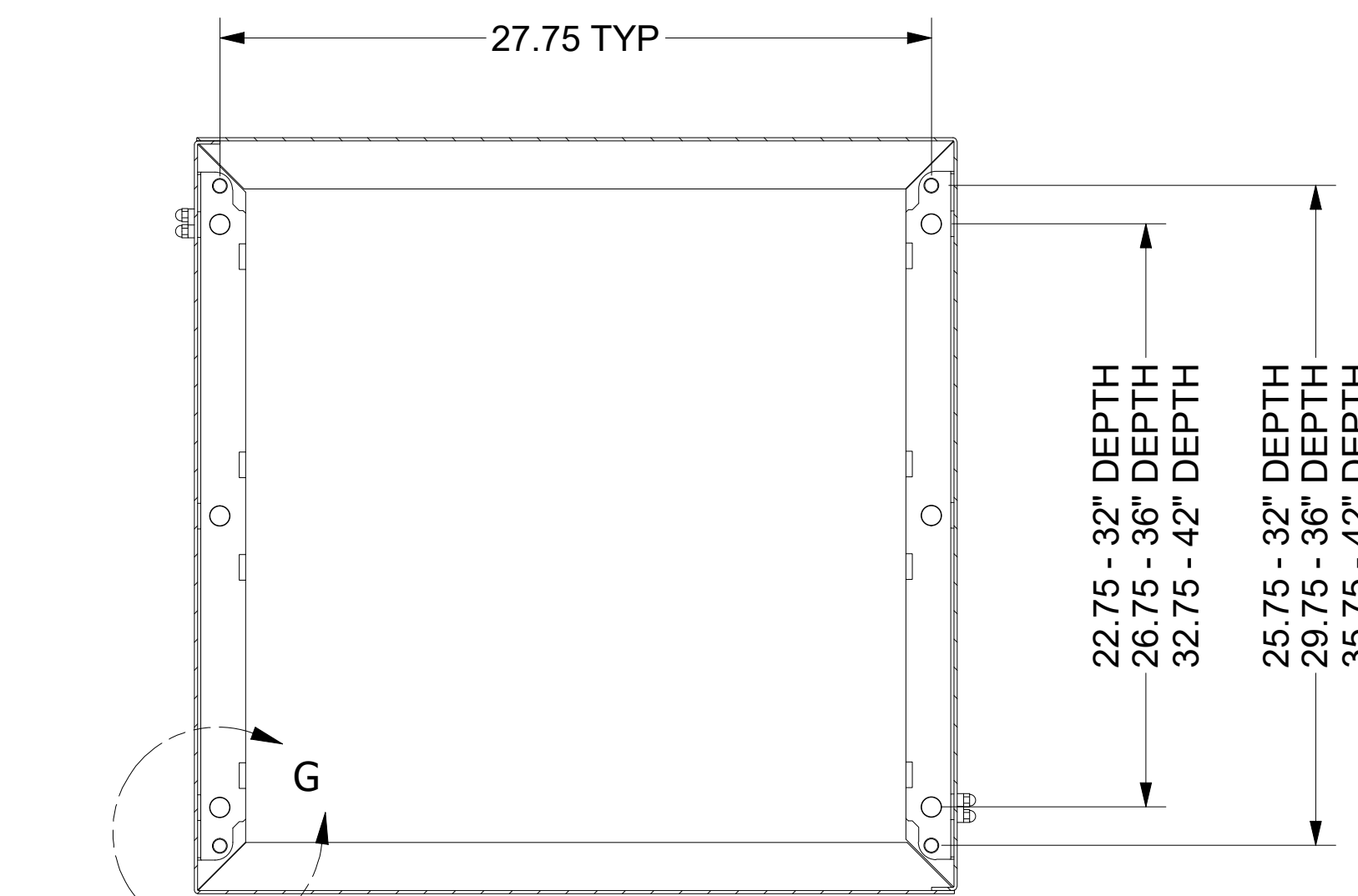
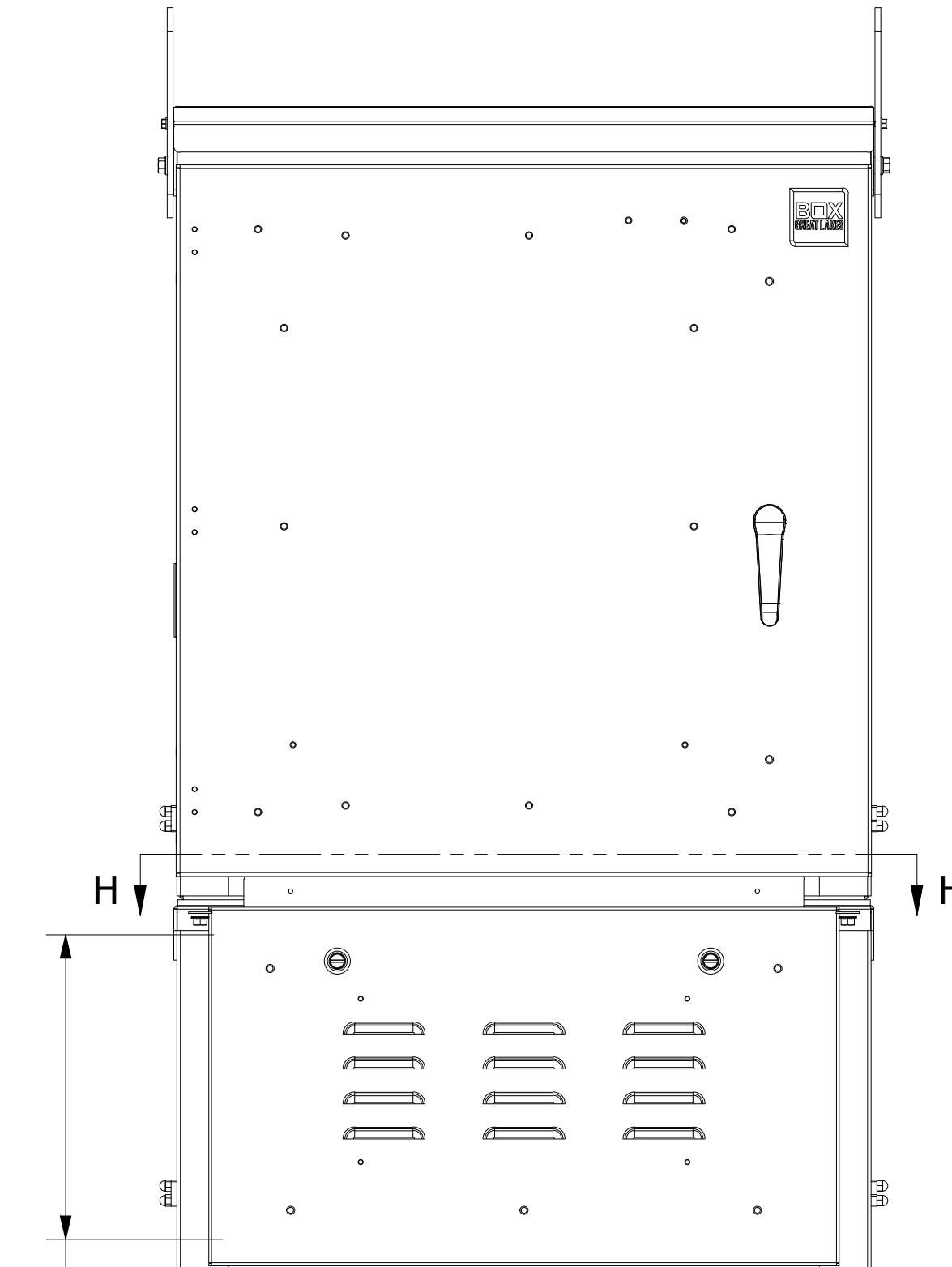
PASS THROUGH CLEARANCE AREA FROM GRADE INTO BATTERY PLINTH



**SECTION H-H**  
GROMMETED GLAND PLATE HIDDEN FOR CLARITY

BATTERY OPENING, HEIGHT 13.05

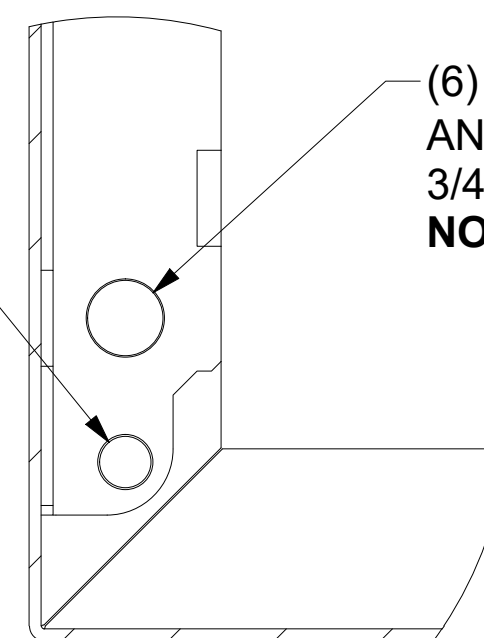
**FRONT VIEW**  
(16" BATTERY PLINTH SHOWN)



**SECTION F-F**  
MOUNTING DETAILS

(4) Ø.53 ANCHOR HOLE 1/2" HARDWARE NOT INCLUDED

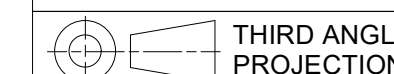
(6) Ø.78 ANCHOR HOLE 3/4" HARDWARE NOT INCLUDED



**DETAIL G**  
MOUNTING DETAILS

**NOTE:**  
32" DEEP BATTERY PLINTH IS FOR USE WITH 100 AH AND 60 AH BATTERIES ONLY

EST. WEIGHT :  
N/A



INTERPRET DRAWING PER ASME Y14.5M-1994  
DIMENSIONAL LIMITS APPLY AFTER APPLICATION OF FINISH  
DRAWING NOT TO SCALE  
TOLERANCE UNLESS OTHERWISE NOTED:  
ANGULAR +/- 1'  
.XXXX +/- .010  
.XXX +/- .015  
.XX +/- .030  
.X FOR REF. ONLY  
UNLESS OTHERWISE SPECIFIED ALL DIMENSIONS ARE IN INCHES

### NOTICE:

Use of this document is subject to a confidentiality and nondisclosure agreement with Great Lakes Data Racks & Cabinets and may not be reproduced, disclosed or utilized in whole or in part without prior written authorization from Great Lakes.

PART NUMBER:  
**SBxx-16Uxx**  
MATERIAL TYPE:  
SEE NOTES  
MATERIAL GAUGE:  
SEE NOTES  
FINISH:  
POWDERCOAT  
DRAWN  
PTH  
CHECKED & APP.  
CND

TITLE  
BOX SERIES, SINGLE BAY, TYPE-xx, 16 RMU, 30" WIDE  
GREAT LAKES DATA RACKS & CABINETS  
P.O. BOX 551 EDINBORO, PA 16412  
PHONE (814) 734-7303 FAX (814) 734-3907  
E-MAIL info@greatcabinets.com  
DWG NO:  
**BXSBxx-16Uxx**  
REV  
**4**  
SHEET: 4 OF 6

# ELECTRICAL OPTIONS

ALARM PANEL W/  
(2) 12 POSITION  
TERMINAL BLOCKS  
W/ LABEL AREA.  
22-10 AWG RANGE

**OPTIONAL ELECTRICAL LOCATIONS**  
BOXES AND RECEPTACLES  
CAN BE INCLUDED AND WIRED  
IF CONFIGURED AT TIME OF ORDER

LOAD CENTER PASS THROUGH  
BOX AND COVER. INCLUDED WHEN  
LOAD CENTER OPTION CONFIGURED  
AT TIME OF ORDER

STANDARD 15 GFCI DUPLEX  
INCLUDED W/ ALL CABINETS.  
WIRED TO 15 AMP BREAKER  
IF LOAD CENTER IS  
CONFIGURED  
AT TIME OF ORDER

LIGHT MOUNTING/LACING BRACKET  
INSTALLED IN ALL CABINETS  
ABOVE FRONT AND REAR DOOR.

OPTIONAL SINGLE LIGHT: **BXLED-515P**

OPTIONAL SINGLE LIGHT AND DAISY  
CHAIN CORD: **BXLED-LINK**  
(TO BE ORDERED IN TANDEM  
WITH BXLED-515P FOR FRONT  
AND REAR LIGHTING)

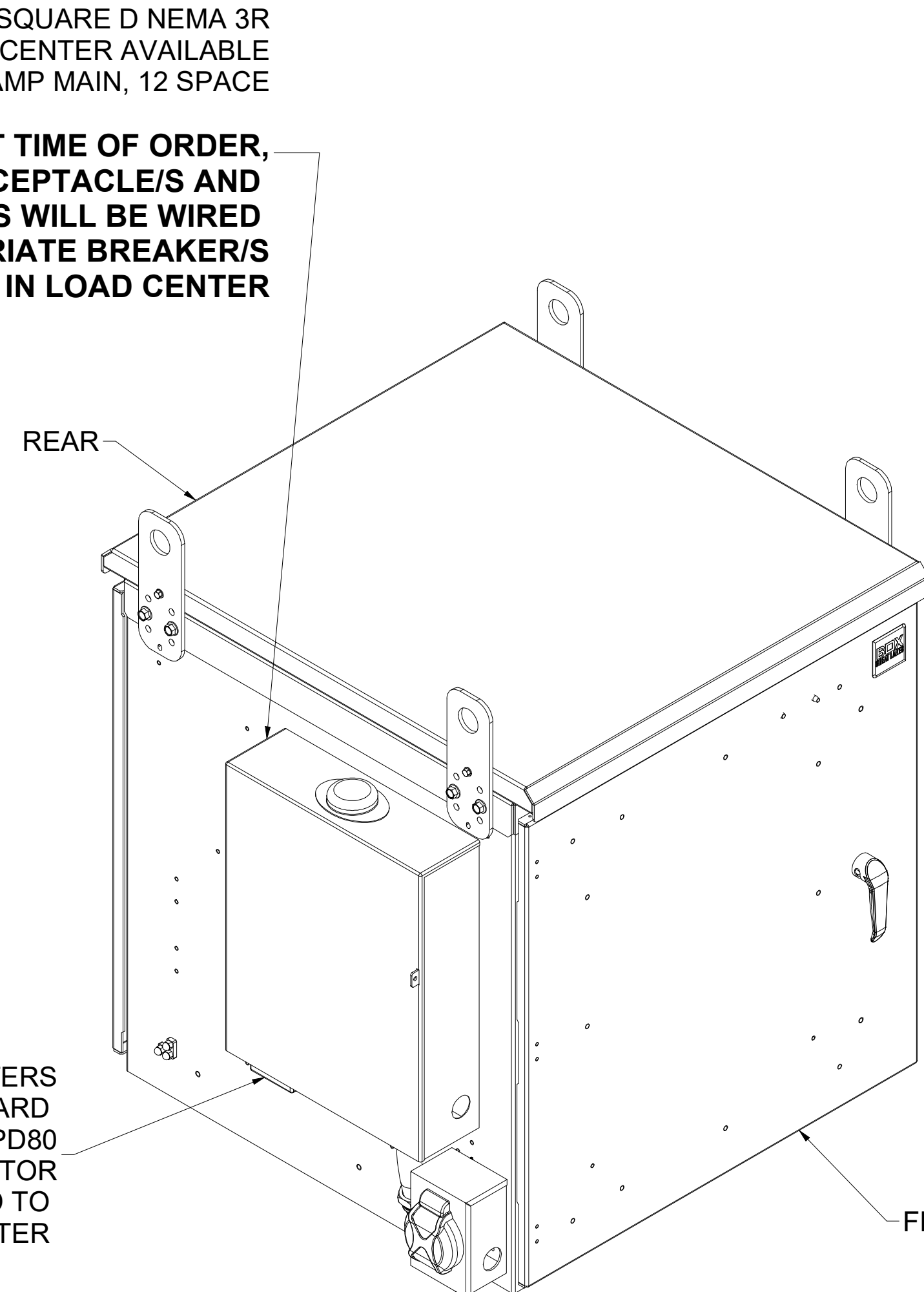
SQUARE D NEMA 3R  
LOAD CENTER AVAILABLE  
QO112M100PRB - 100 AMP MAIN, 12 SPACE

**NOTE: IF CONFIGURED AT TIME OF ORDER,  
INTERNAL CABINET RECEPTACLE/S AND  
115V/230V HVAC OPTIONS WILL BE WIRED  
DIRECTLY TO APPROPRIATE BREAKER/S  
IN LOAD CENTER**

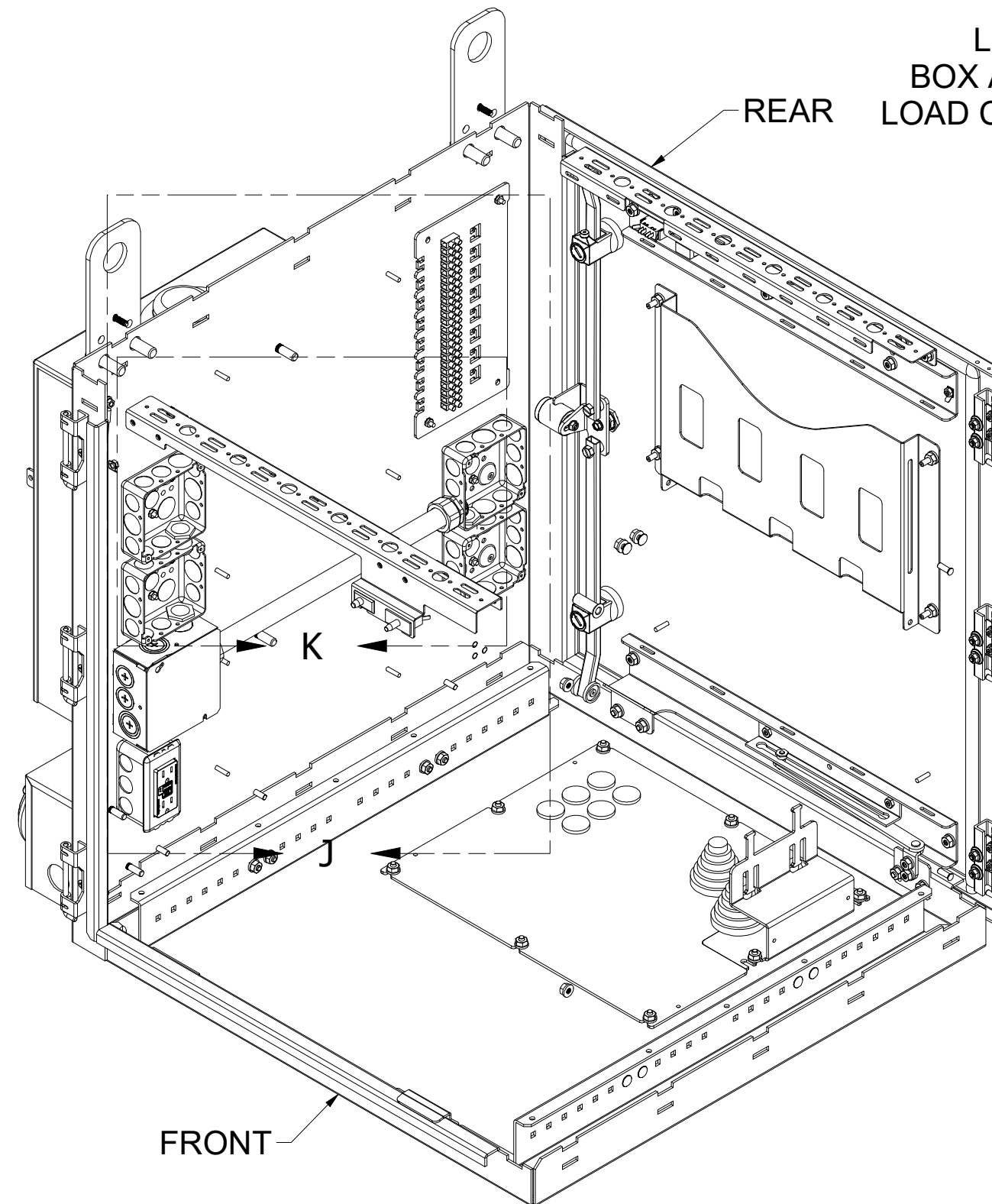
ALL LOAD CENTERS  
COME STANDARD  
W/ SQUARE D HEPD80  
SURGE PROTECTOR  
INSTALLED AND WIRED TO  
LOAD CENTER

NEMA 3R GENERATOR INLET  
BOXES AVAILABLE:  
GPIB30A - 30 AMP, L14-30P, 125/250 V, 7,500 W  
GPIB50A - 50 AMP, SS2-50P, 125/250 V, 12,500 W

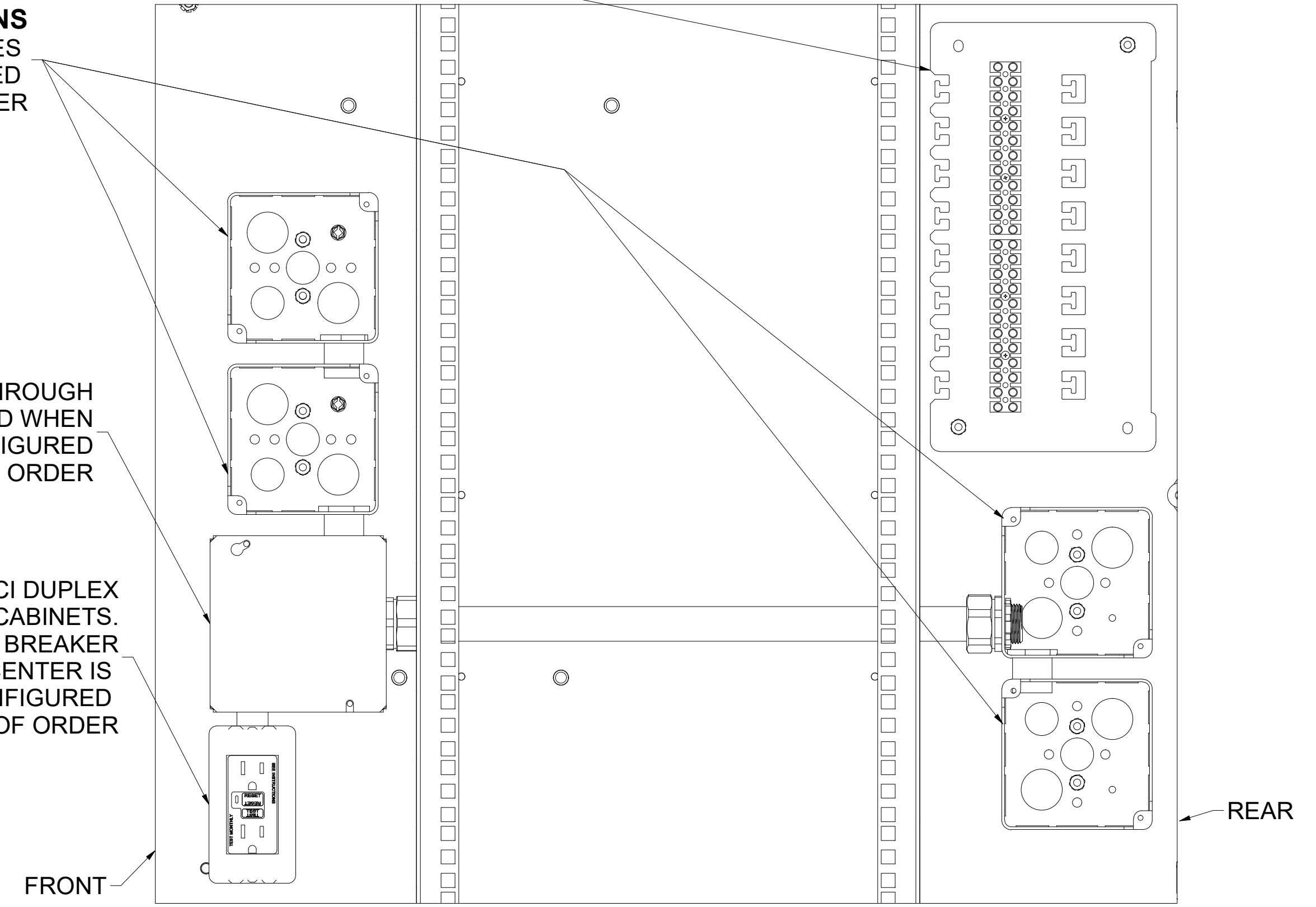
**NOTE: IF CONFIGURED AT TIME OF ORDER,  
GENERATOR PLUG WILL BE DIRECTLY WIRED  
TO APPROPRIATE BREAKER IN LOAD CENTER  
WITH INTERLOCK KIT**



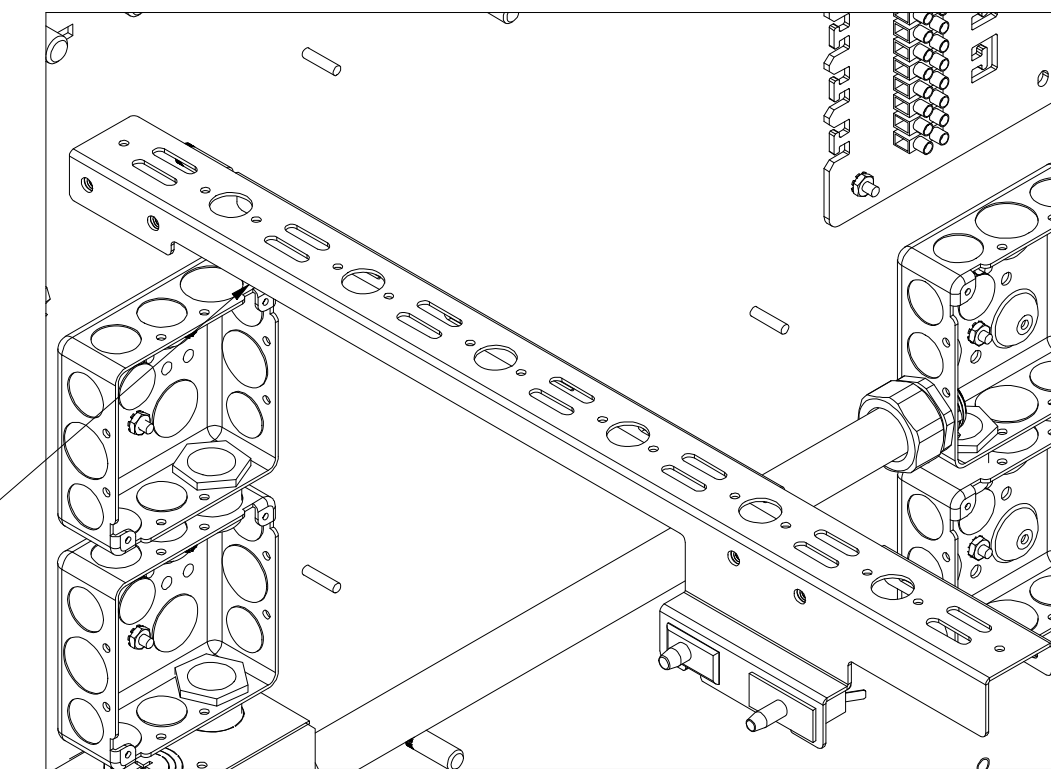
FRONT LEFT ISO VIEW



FRONT RIGHT ISO VIEW  
COMPONENTS HIDDEN  
FOR CLARITY



DETAIL J



DETAIL K

**NOTE: DUE TO VOLUME AND OTHER CONSTRAINTS WITHIN NFPA 70, NATIONAL ELECTRIC CODE, LIMITATIONS APPLY TO RECEPTACLE LOCATIONS AND OTHER ELECTRONIC DEPLOYMENTS. PLEASE CONSULT A CERTIFIED ELECTRICIAN TO MEET LOCAL STANDARDS.**

**NOTE FOR CABINETS CONFIGURED WITH AIR CONDITIONER: INSULATION IS DESIGNED WITH BREAK OFF SECTIONS TO BE UTILIZED IF ADDITIONAL ELECTRICAL LOCATIONS ARE TO BE USED, SO THAT INSULATION WILL NOT HAVE TO BE MANUALLY CUT**

INTERPRET DRAWING PER ASME Y14.5M-1994  
DIMENSIONAL LIMITS APPLY  
AFTER APPLICATION OF FINISH  
DRAWING NOT TO SCALE  
TOLERANCE UNLESS OTHERWISE NOTED:  
ANGULAR +/- 1°  
.XXXX +/- .010  
.XXX +/- .015  
.XX +/- .030  
.X FOR REF. ONLY  
UNLESS OTHERWISE SPECIFIED  
ALL DIMENSIONS ARE IN INCHES

**NOTICE:**

Use of this document is subject to a confidentiality and nondisclosure agreement with Great Lakes Data Racks & Cabinets and may not be reproduced, disclosed or utilized in whole or in part without prior written authorization from Great Lakes.

PART NUMBER:  
**SBxx-16Uxx**  
MATERIAL TYPE:  
**SEE NOTES**  
MATERIAL GAUGE:  
**SEE NOTES**  
FINISH:  
**POWDERCOAT**  
DRAWN PTH  
CHECKED & APP.  
CND

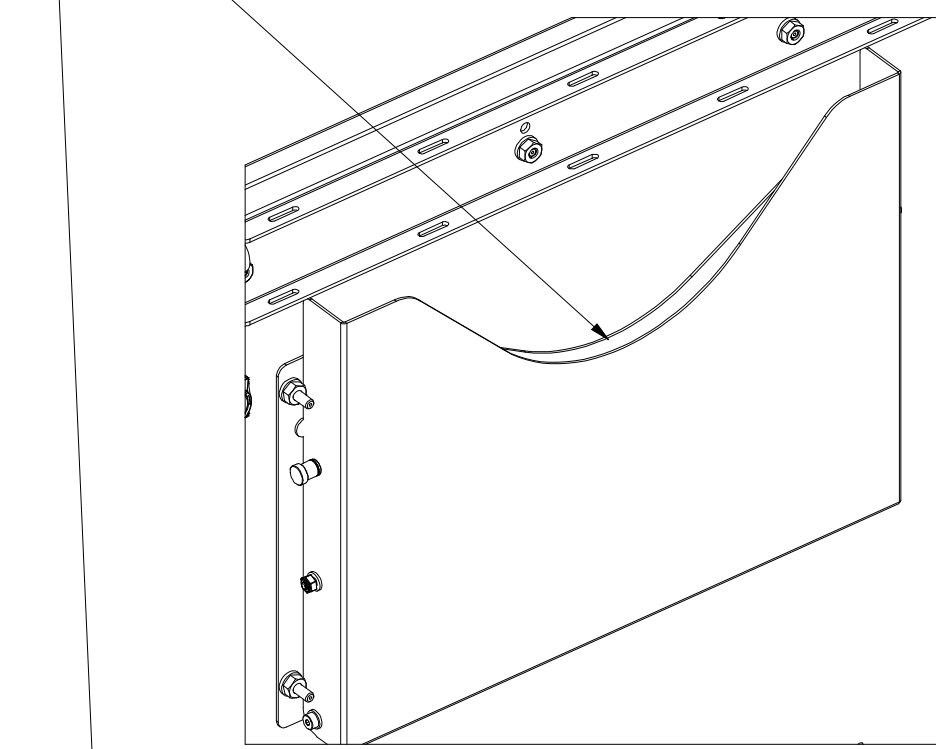
TITLE  
BOX SERIES, SINGLE BAY, TYPE-xx, 16 RMU, 30" WIDE  
GREAT LAKES DATA RACKS & CABINETS  
P.O. BOX 551 EDINBORO, PA 16412  
PHONE (814) 734-7303 FAX (814) 734-3907  
E-MAIL info@greatcabinets.com

EST. WEIGHT :  
N/A  
THIRD ANGLE  
PROJECTION

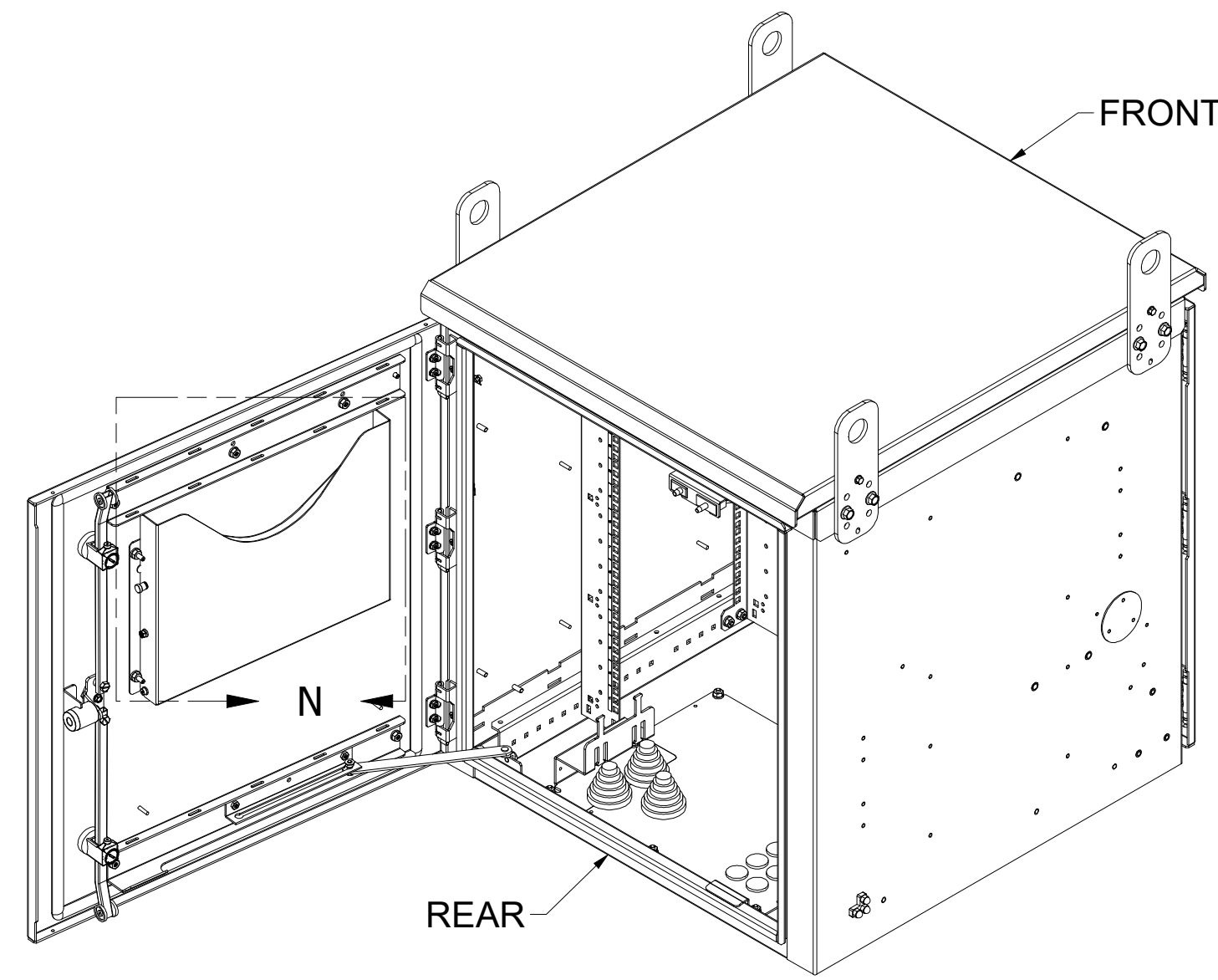
DWG NO:  
**BXSBxx-16Uxx**  
REV  
**4**  
SHEET: 5 OF 6

# OPTIONAL ACCESSORIES

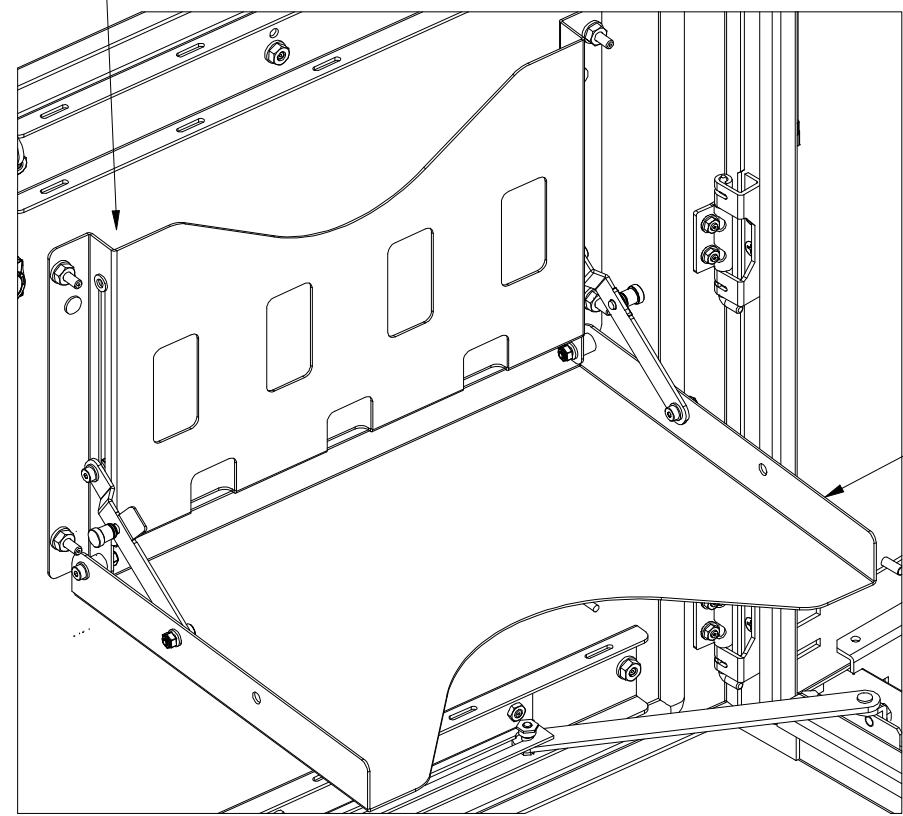
STD DOCUMENT  
HOLDER FITS 8.5" X 11"  
INCLUDED WITH ALL CABINETS



**DETAIL N**  
LAPTOP TRAY  
ACCESSORY CLOSED



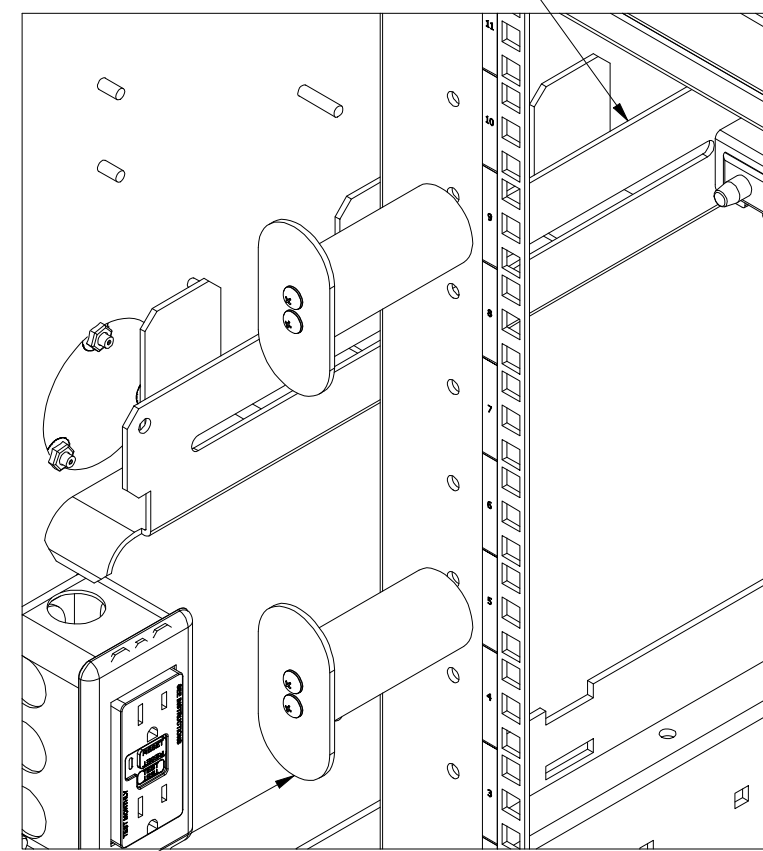
**REAR ISO VIEW**  
STANDARD DOCUMENT HOLDER AND LAPTOP TRAY ACCESSORY  
#BX-LT8511 : LAPTOP TRAY ACCESSORY  
SOLD SEPERATELY



LAPTOP TRAY ACCESSORY  
#BX-LT8511  
FITS 15" WIDE LAPTOP  
AND 11.5" WORKING DEPTH  
ATTACHES TO STD DOCUMENT HOLDER

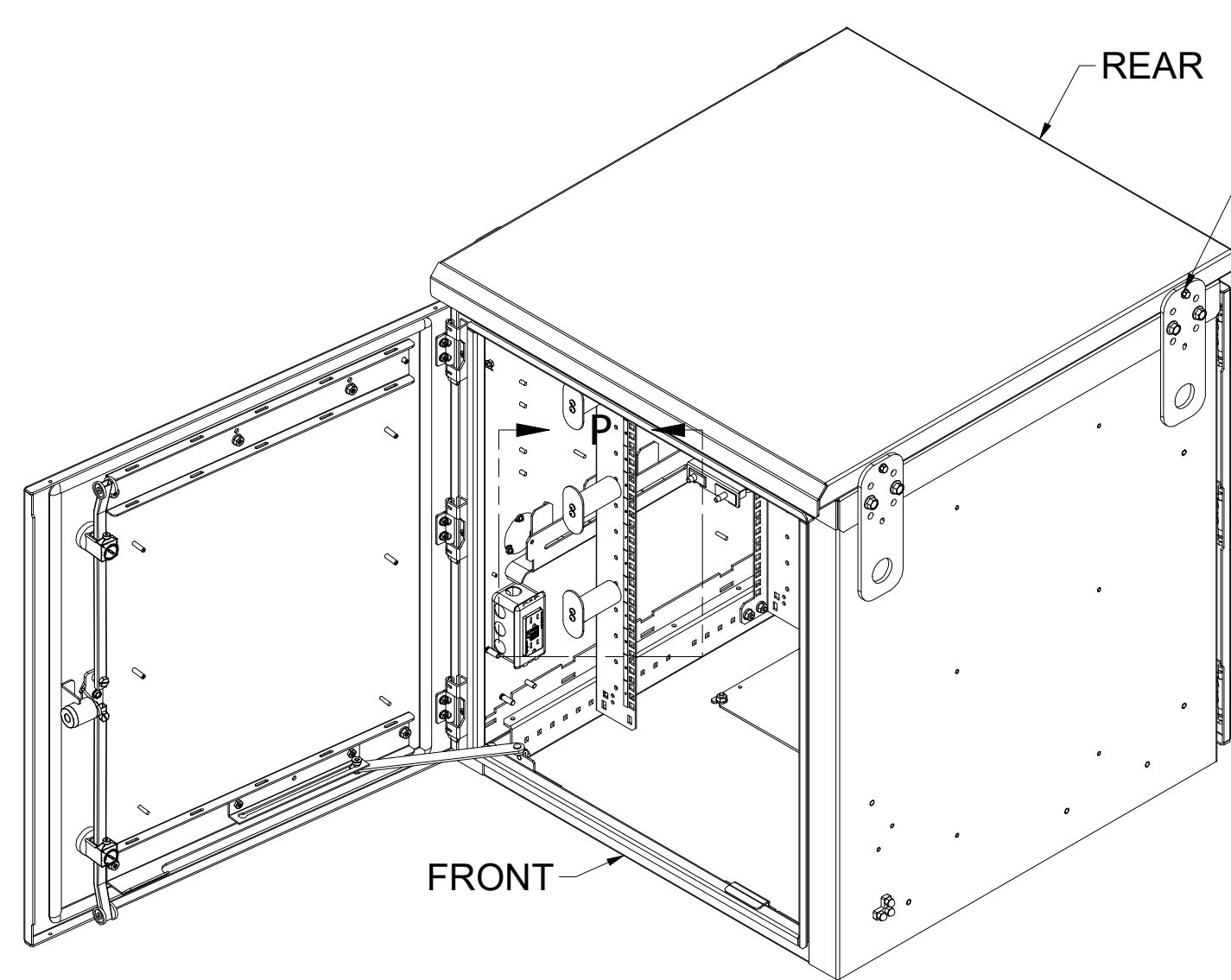
**DETAIL N**  
LAPTOP TRAY  
ACCESSORY OPENED

CABLE TROUGH #BXCMT-xxD  
1.63" WIDE X 2.5" HIGH X 25" LONG  
LENGTH VARIES BASED ON DEPTH



**DETAIL P**

FIBER SPOOL  
#BXFS-3K10  
3" DEEP  
1.31" DIA.

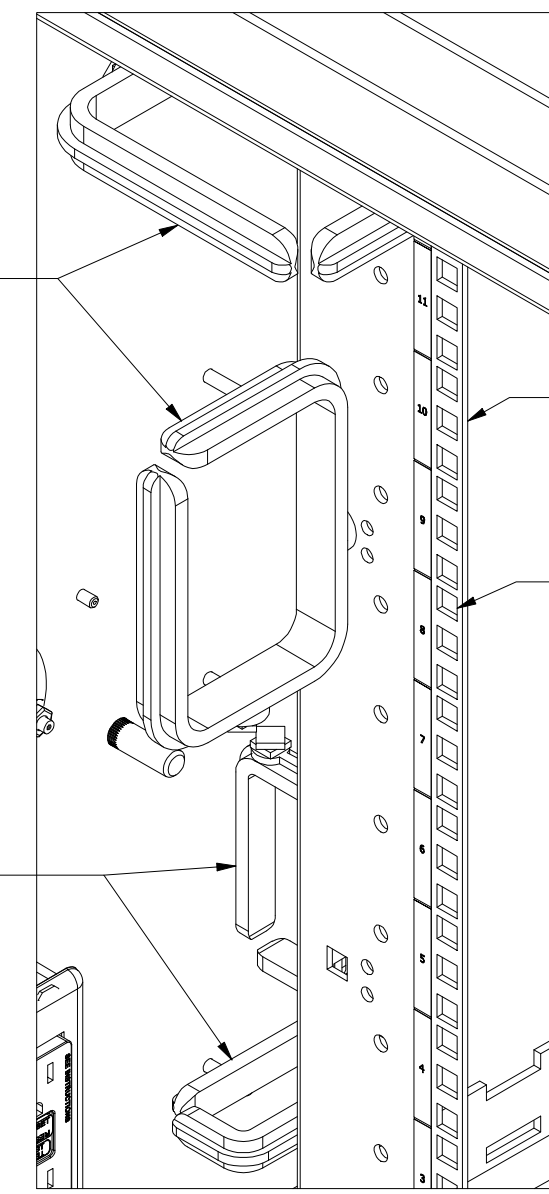


**FRONT ISO VIEW**  
CABLE MANAGEMENT  
#BXFS-3K10: FIBER SPOOL, 3" DEEP, KIT OF 10  
#BXCMT-xxD: CABLE MGT. TROUGH, QTY-1  
BOTH SOLD SEPERATELY

LIFT EYES  
SHOWN  
INSTALLED  
DOWN

#CM-26  
3.5" X 5"  
CAN ONLY BE USED  
ON FRONT OF RAIL

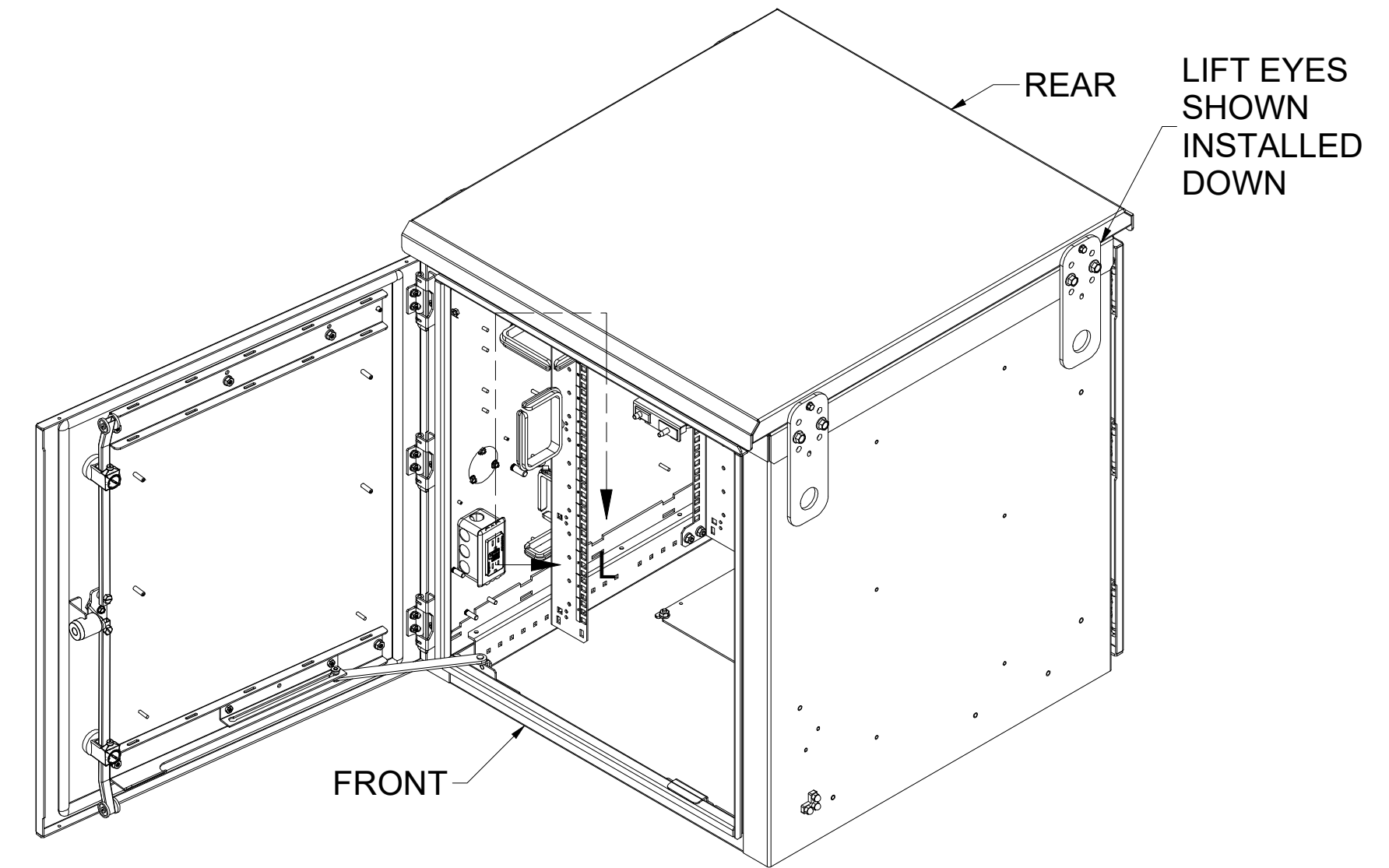
#CM-25  
1.5" X 3.5"  
CAN BE USED ON  
FRONT AND SIDE  
OF RAIL



**DETAIL L**  
19" EIA SHOWN

19" / 23" EIA RAIL

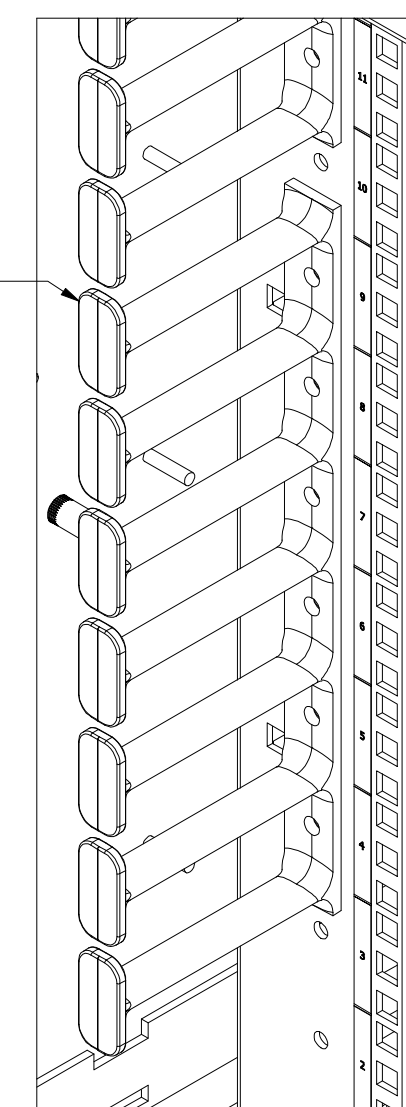
3/8" SQ  
ALSO ACCEPTS  
D RINGS



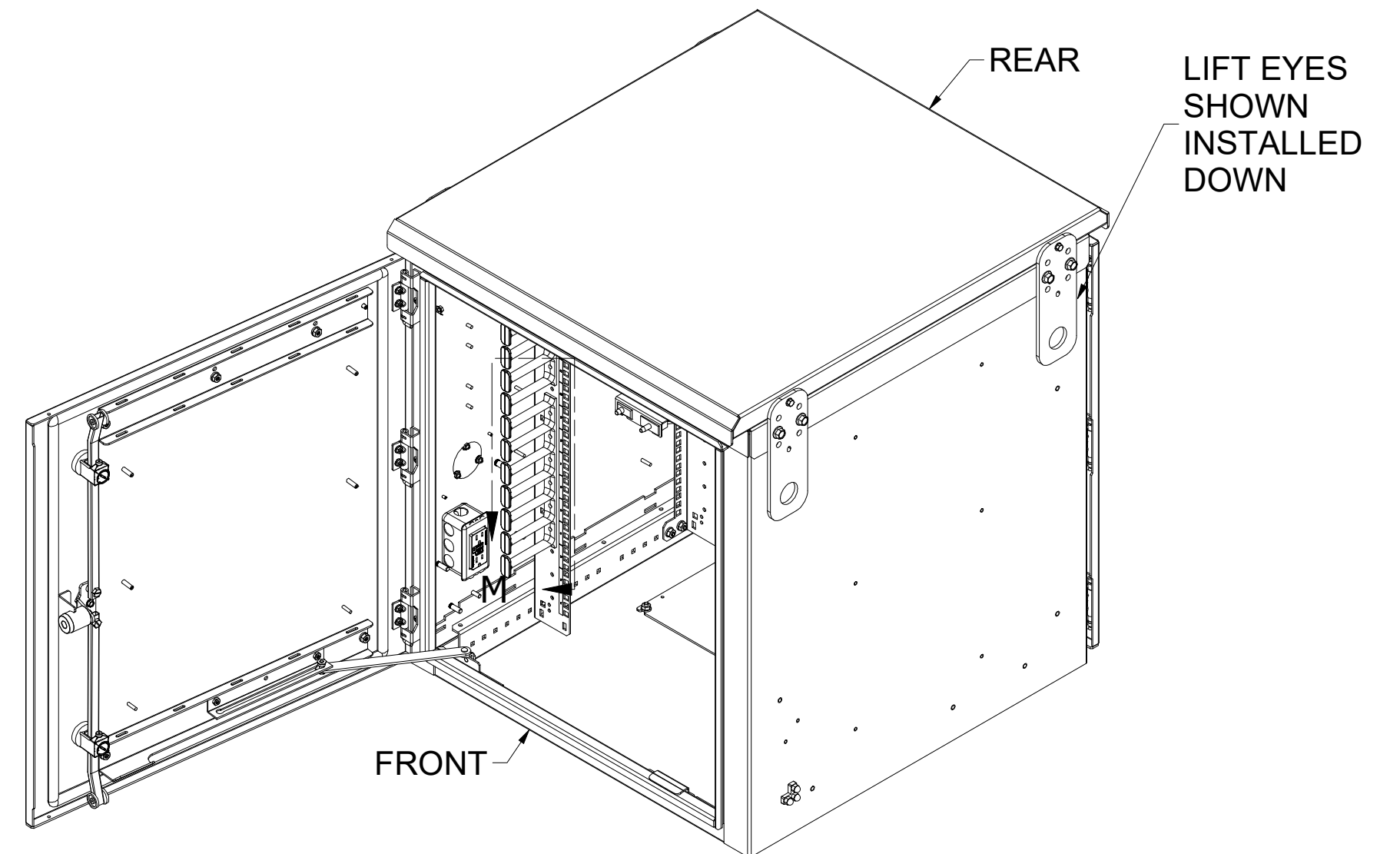
**FRONT ISO VIEW**  
CABLE MANAGEMENT D RINGS  
#CM-25 : KIT OF 10  
SOLD SEPERATELY  
ONLY APPLICABLE WITH STD 3/8" SQ HOLES IN RAIL

LIFT EYES  
SHOWN  
INSTALLED  
DOWN

#CM-47  
4"D X 7 RMU  
OR  
#CM-77  
7"D X 7 RMU



**DETAIL M**  
CM-47 SHOWN



**FRONT ISO VIEW**  
CABLE MANAGEMENT FINGERS  
#ESC-K8 : KIT OF 8, 4" D x 7 RMU FINGERS, FOR 30 RMU  
#ESC-K8-7 : KIT OF 8, 7" D x 7 RMU FINGERS, FOR 30 RMU  
SOLD SEPERATELY

LIFT EYES  
SHOWN  
INSTALLED  
DOWN

INTERPRET DRAWING PER ASME Y14.5M-1994  
DIMENSIONAL LIMITS APPLY  
AFTER APPLICATION OF FINISH  
DRAWING NOT TO SCALE  
TOLERANCE UNLESS OTHERWISE NOTED:  
ANGULAR +/- 1°  
.XXXX +/- .010  
.XXX +/- .015  
.XX +/- .030  
.X FOR REF. ONLY

**NOTICE:**

Use of this document is subject to a confidentiality and nondisclosure agreement with Great Lakes Data Racks & Cabinets and may not be reproduced, disclosed or utilized in whole or in part without prior written authorization from Great Lakes.

PART NUMBER:  
SBxx-16Uxx  
MATERIAL TYPE:  
SEE NOTES  
MATERIAL GAUGE:  
SEE NOTES  
FINISH:  
POWDERCOAT  
DRAWN  
PTH  
CHECKED & APP.  
CND

TITLE  
BOX SERIES, SINGLE BAY, TYPE-xx, 16 RMU, 30" WIDE  
GREAT LAKES DATA RACKS & CABINETS  
P.O. BOX 551 EDINBORO, PA 16412  
PHONE (814) 734-7303 FAX (814) 734-3907  
E-MAIL info@greatcabinets.com

EST. WEIGHT :  
N/A  
THIRD ANGLE  
PROJECTION

UNLESS OTHERWISE SPECIFIED  
ALL DIMENSIONS ARE IN INCHES

DWG NO:  
BXSbxx-16Uxx  
REV  
4  
SHEET: 6 OF 6