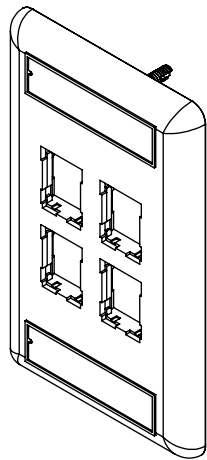
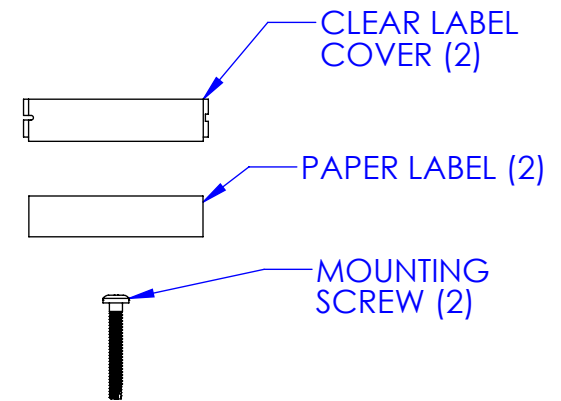
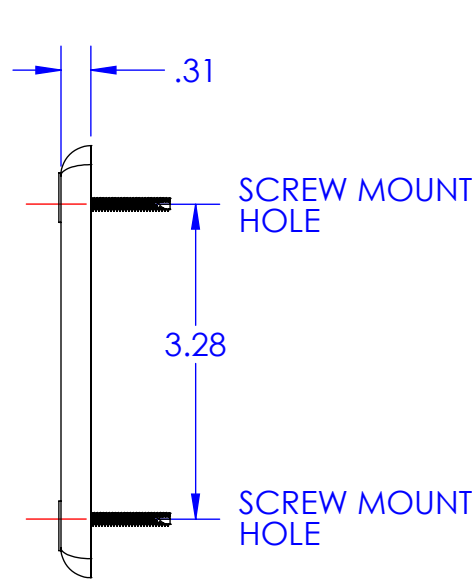


FACEPLATE (FP)



NOTE: ALL DIMENSIONS ARE IN INCHES.



PART NUMBER	(-XX)	COLOR
403HDJ14	NONE	FOG WHITE
403HDJ14-00	-00	BLACK
403HDJ14-13	-13	IVORY
403HDJ14-78	-78	WM DK GRAY
403HDJ14-88	-88	WHITE
403HDJ14-99*	-99*	WM IVORY*

*ASTERISK DENOTES MOQ REQUIRED. CONTACT CUSTOMER SERVICE.

*** NOTICE ***
 THIS DOCUMENT CONTAINS CONFIDENTIAL AND/OR PROPRIETARY INFORMATION INTENDED FOR USE ONLY BY THE INDIVIDUAL(S) PROVIDED. NEITHER THIS DOCUMENT, NOR ANY INFORMATION CONTAINED HEREIN, MAY BE COPIED, DISTRIBUTED, DISCLOSED TO ANY THIRD PARTY OR USED IN ANY MANNER OTHER THAN FOR WHICH IT HAS BEEN PROVIDED, WITHOUT THE PRIOR WRITTEN CONSENT OF LEGRAND, INC.



WWW.LEGRAND.US

TITLE

FP, HDJ, 1 GANG, 4 PORT,
 LABEL, COVER, SCREW KIT

	NAME	DATE	SIZE	CAD FILE	DWG NO	REV
DWN	MM	10/31/2013	A	403HDJ14XXC	403HDJ14-XX	02
CHK	GL/CAC	11/1/2013	SCALE	1:2	WEIGHT	SHEET
APPR	JJM	11/1/2013				1 OF 1