

Electrified Locks, Relays and Timers

CX-MDA/MDC Magnetic Contact

INSTALLATION INSTRUCTIONS



THIS PACKAGE INCLUDES:

CX-MDA

- 4 x #8 x 3/4" Screws
- 1 x Cover
- 1 x Magnetic Contact
- 2 x Spacers

CX-MDC

- 4 x #6 x 5/8" screws
- 1 x Cover
- 1 x Magnetic Contact
- 1 x Spacer

1. GENERAL DESCRIPTION

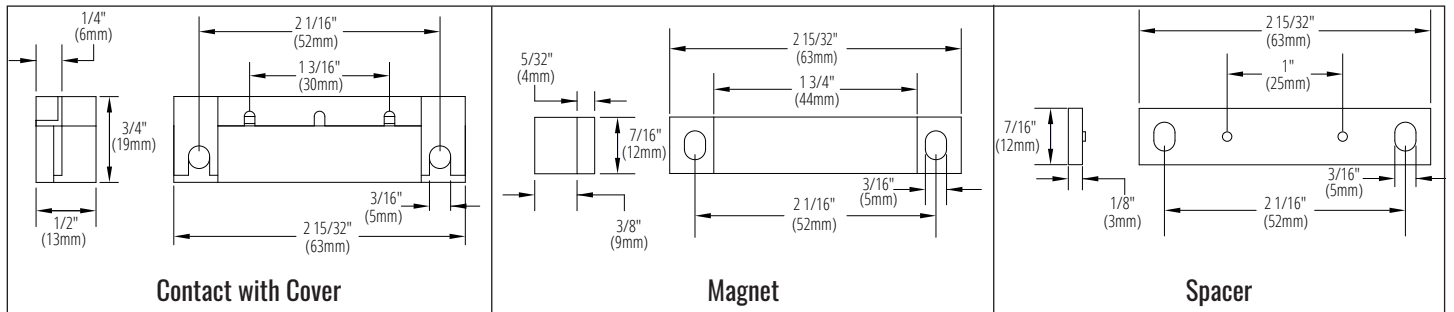
Our CX-MDA and CX-MDC magnetic contacts are designed to enhance the security of doors, windows, and other access points in both residential and commercial settings. The CX-MDA model is a surface-mounted, Single Pole Single Throw (SPST) contact with a 15/16" (23mm) gap, offering straightforward monitoring and easy installation. The CX-MDC expands capabilities with a Single Pole Double Throw (SPDT) configuration and a 1" (25mm) gap, suitable for more complex security systems requiring monitoring of both open and closed states. Both models come in a discreet white finish, ensuring seamless integration into any environment, and are engineered for durability, reliability, and ease of installation, making them essential components in any security or alarm system.

2. SPECIFICATIONS

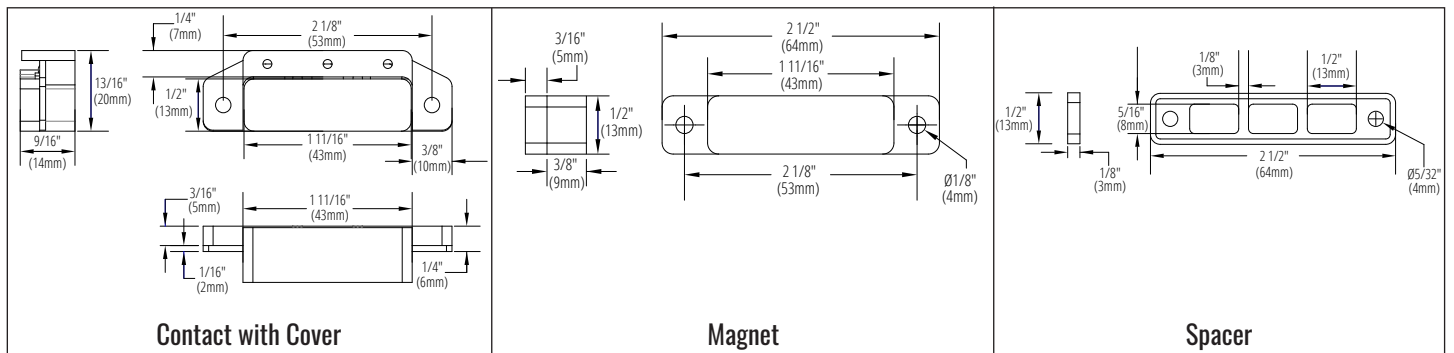
Model	CX-MDA	CX-MDC
Electrical Connection	SPST	SPDT
Operation Gap	15/16" (23mm)	1" (25mm)
Contact Rating	100V DC @ 0.5A	175V DC @ 0.25A
Magnet Type	Ferrite	
Dimensions:		
Contact Size	2-15/32" x 3/4" x 1/2" 63mm x 19mm x 13mm	2-1/2" x 13/16" x 9/16" 64mm x 20mm x 14mm
Magnet Size	2-15/32" x 7/16" x 1/2" 63mm x 12mm x 13mm	2-1/2" x 1/2" x 9/16" 63mm x 13mm x 14mm

3. DIMENSIONS

CX-MDA



CX-MDC



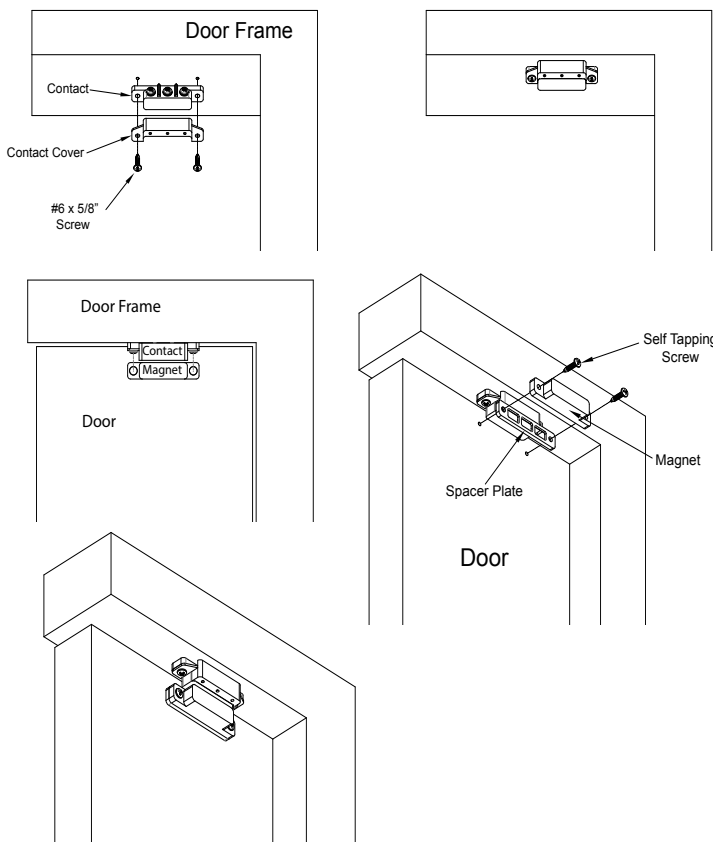
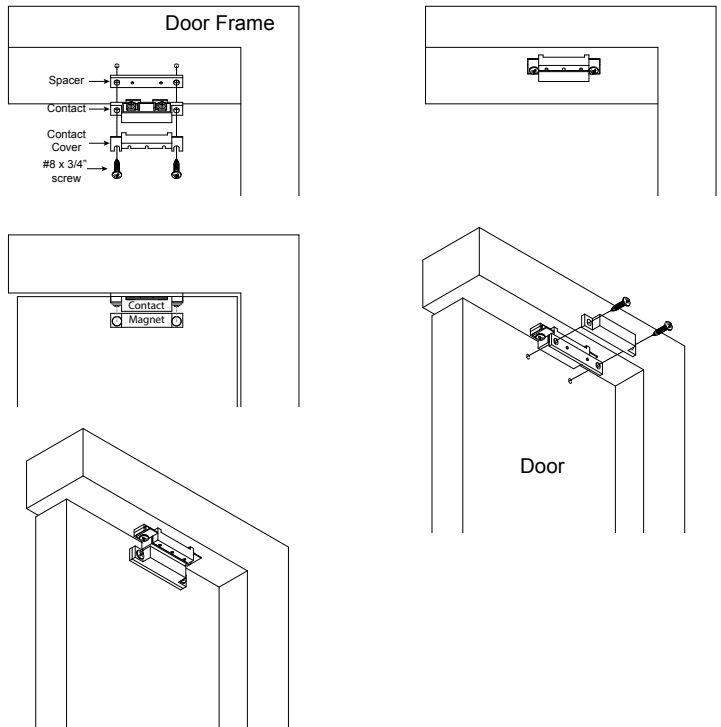
CX-MDA/MDC Magnetic Contact

INSTALLATION INSTRUCTIONS

4. INSTALLATION

CX-MDA:

- 1. Wiring Connection:** Begin by routing the wiring from your monitoring system to the door frame where the contact will be installed. Connect the wires to the two terminals on the CX-MDA contact. Secure the connections as per your alarm system's guidelines.
- 2. Mounting the Contact:** Drill pilot holes with the #20 drill bit. Secure the contact and its cover using the #8 x 3/4" screws.
- 3. Aligning the Magnet:** With the door closed, mark where the magnet needs to be to align with the contact. Be sure that the gap between the contact and magnet does not exceed 15/16" (23mm). Use the spacer plate to adjust the magnet's height if necessary.
- 4. Installing the Magnet:** Drill pilot holes with the #20 drill bit at the marked spot for the magnet and fasten it using the #8 x 3/4" screws. Include the spacer plate during installation if it aids in alignment.



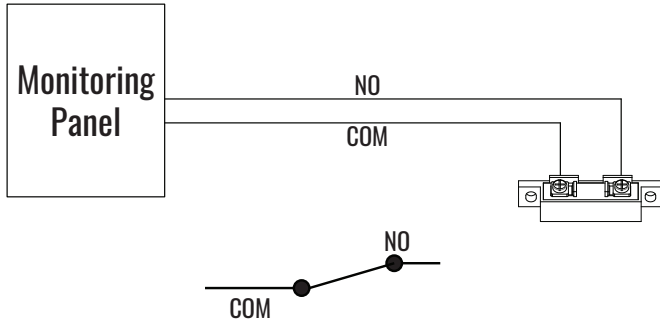
CX-MDC:

- 1. Wiring Connection:** Route the wiring from the monitoring system to the location on the door frame where the CX-MDC contact will be placed. Connect the wires to terminals on the contact, ensuring each connection is secure and matches your system's wiring requirements.
- 2. Mounting the Contact:** Choose a mounting location on the door frame, avoiding proximity to the hinges. Drill pilot holes with the #32 drill bit for the #6 x 5/8" screws. Use the spacer plate for the contact if necessary to ensure a flat mounting surface, then attach the contact and its cover with the screws.
- 3. Aligning the Magnet:** With the door in the closed position, mark the corresponding position on the door for the magnet, ensuring it lines up with the contact. Be sure that the gap between the contact and magnet does not exceed 1" (25mm). Utilize the spacer plate for any necessary adjustments to the magnet's placement.
- 4. Installing the Magnet:** Drill pilot holes with the #32 drill bit and secure the magnet at the marked location using the #6 x 5/8" screws, incorporating the spacer plate if it helps achieve the desired alignment between the magnet and the contact.

6. WIRING/CONNECTION

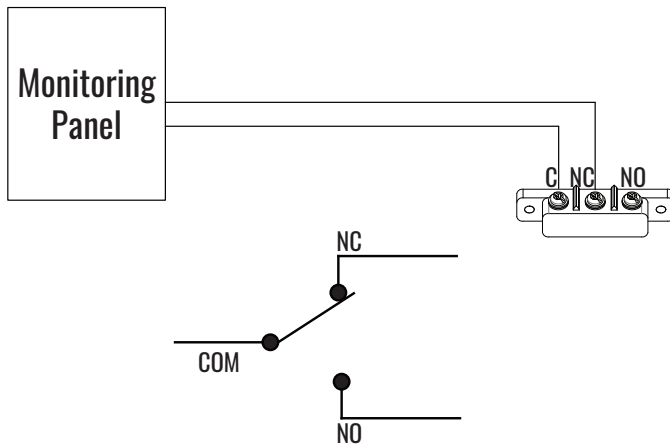
CX-MDA

Closed Loop



CX-MDC

Open Loop



Closed Loop

