

RIB® Dry Contact Input Relays

RIB Dry Contact Input relays provide a great way to control an electrical load. Whether it's controlled by a current sensing switch or by a float switch, you can be sure that the Dry Contact Input will reliably control a 10 Amp, 20 Amp, or 30 Amp load. With the options of 120 Vac or 208-277 Vac input voltages, these RIBs can fit in nearly anywhere.

The Dry Contact Input is Class 2, so the wiring job is quick and safe. We even have versions that incorporate Delay On Make or Delay On Break logic. **Check out the Dry Contact Input relays for your next controls or automation application!**

120 Vac or 208-277 Vac input power options

Dry Contact Input controls relay coil

10 Amp, 20 Amp, and 30 Amp models available

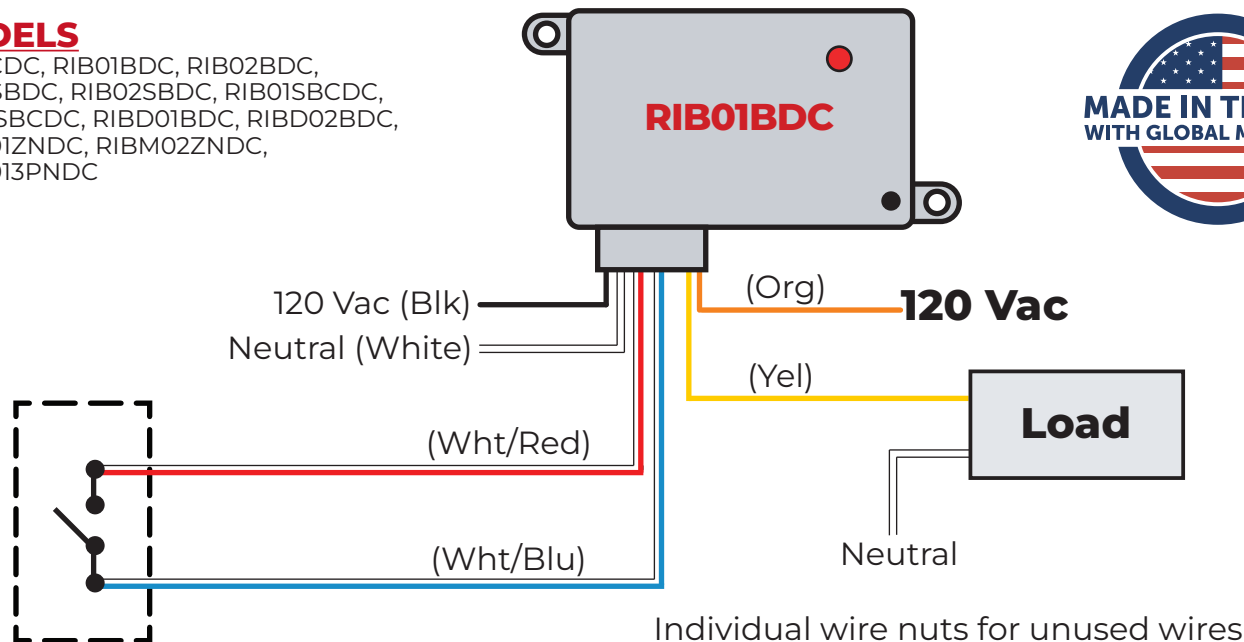
SPST, SPDT, DPDT, or 3PDT relay contact configurations

Optional HOA switch | Delay-enabled models available

Prepackaged/prewired or track-mount models available

MODELS

RIB21CDC, RIB01BDC, RIB02BDC,
RIB01SBDC, RIB02SBDC, RIB01SBCDC,
RIB02SBCDC, RIBD01BDC, RIBD02BDC,
RIBM01ZNDC, RIBM02ZNDC,
RIBM013PNDC



Connect RIB01BDC and LOAD as shown. Turn on LOAD by connecting a dry-contact switch to the Wht/Red and Wht/Blu wires as shown.