

ILLUSTRATION 1

The heat in this enclosure is radiated into the aluminum mounting plate, and uses natural convection to heat the area inside the enclosure. When the temperature at the control thermostat falls below 50°F (10°C), the heat turns on, and shuts off once it reaches 70°F (21°C). If for some reason this thermostat fails at the upper temperature, the safety thermostat will shut the heaters off at 120°F (49°C). The low temp warning thermostat is a dry contact that closes at below 32°F (0°C), and can be used for supervisory purposes.

Note: Temperatures are measured locally at the thermostat; be aware that temperatures may vary in other sections of the

INSTALLATION INSTRUCTIONS

1. Remove heater plate assembly (Illustration 1) from back box by removing 4 flat head screws and set aside.
2. Mount back box and cover assembly in desired position. With hinges horizontal or vertical, insert the (4) mounting tabs into the back box slots (see Illustration 2). Mark and drill (4) 1/4" diameter holes 1 1/4" deep. Insert plastic anchors and screw back box to wall with (4) #10 x 1 1/2" screws.
3. Route wires for heater and appliance into back box through conduit or small hole properly sealed.

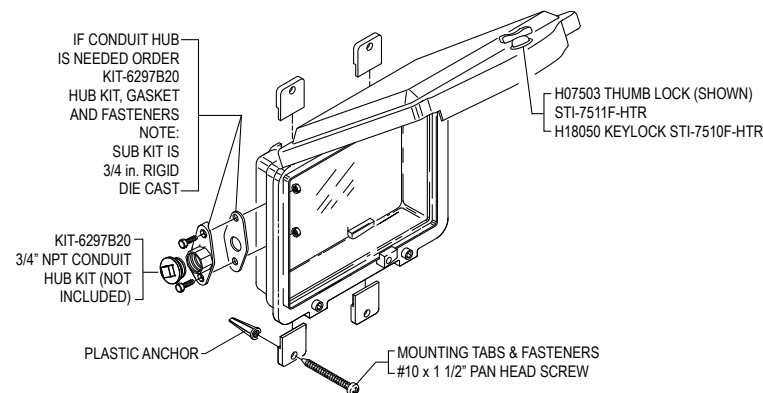
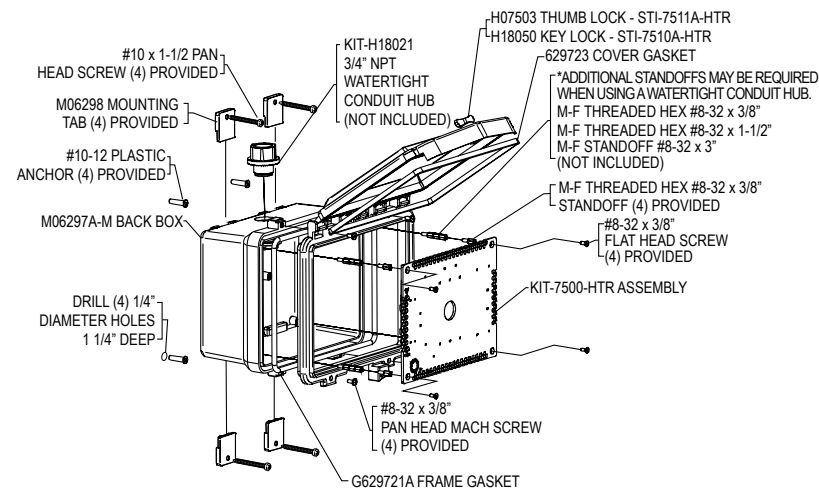


ILLUSTRATION 2

⚠ WARNING: This product can expose you to chemicals including Dichloromethane, which is known to the State of California to cause cancer, and Bisphenol A (BPA), which is known to the State of California to cause birth defects or other reproductive harm. For more information go to www.P65Warnings.ca.gov.

Three year warranty or a one year limited warranty (from date of purchase) on most products. See website for details. Electronic warranty form at www.sti-usa.com/wc14.



USA

HEATED POLYCARBONATE ENCLOSURE STI-7510A&F-HTR & STI-7511A&F-HTR

All specifications and information shown were current as of publication, and are subject to change without notice.

7510AHR IS JUN2025

IP59



EMEA

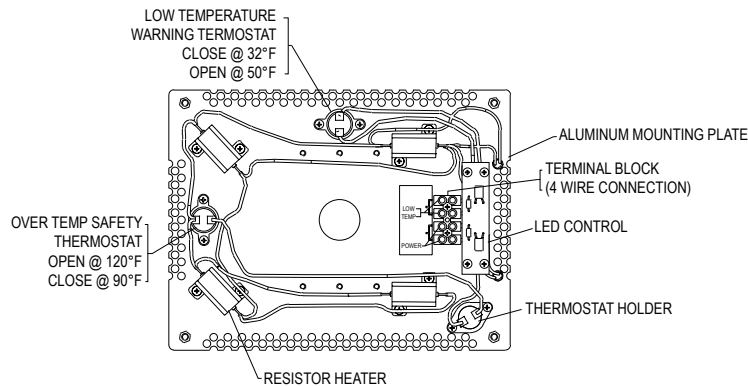


ILLUSTRATION 3

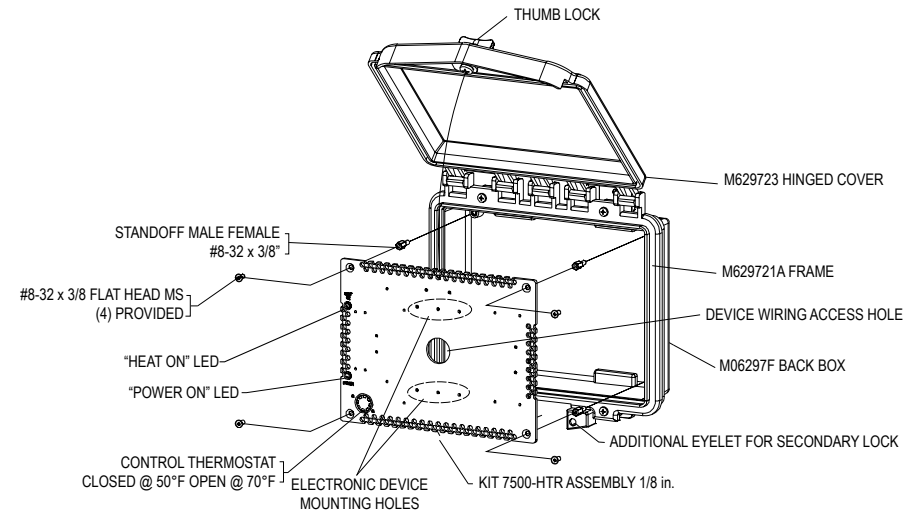


ILLUSTRATION 4

4. Connect heater power and control wires. Note: Terminals are not polarity sensitive.
 - a. Connect low temperature monitor terminals to supervisory panel if used (see Illustration 3).
 - b. Connect power terminals to power source. 12-24 volt AC/DC.
 - Heating capacity is determined by input voltage. Be sure the power source has enough capacity to support the load at the input voltage.
 - 12 Volt, 19 WATTS
 - 16.5 Volt, 36 WATTS
 - 24 Volt, 77 WATTS
 - 16.5 VAC adapter included

5. Mount the heater plate assembly to the back box with control thermostat toward bottom of enclosure (see Illustration 4). Be sure to route wires for electronic device through the hole in the center of the heater plate before attaching heater plate. For vertical mounting (hinges to right or left side) be sure control thermostat is towards the bottom of the enclosure.
6. Connect the electronic device and mount to the heater plate in mounting holes indicated using #4-40 x 1/2" screws (2) provided.

NOTE: If moisture buildup occurs, drill a weep hole on bottom side of back box.

HEATED POLYCARBONATE ENCLOSURE STI-7510A&F-HTR & STI-7511A&F-HTR

All specifications and information shown were current as of publication, and are subject to change without notice.