

ACC-V1500X



Mounting Pattern
1200mm or 1500mm



Max Load
225lb (102.1kg)

Accessory Adaptor Rails

For VESA® 1200mm or 1500mm Wide Mounting Patterns

Increase your mounts' compatibility with the ACC-V1500X by Peerless-AV®. This adaptor rail extender can be used with displays with 1200mm or 1500mm wide mounting patterns. This adaptor extender is compatible with the SF680(P), ST680(P), SR598 and DS-VW795-QR.

- Adaptor rail solution for displays with 1200mm or 1500mm wide mounting patterns
- Attaches to the mounts with a 400mm or 500mm wide mounting patterns
- Allows the display to be mounted in portrait or landscape
- Security hardware deters tampering and theft



MOUNT COMPATIBILITY

Attaches to the mount at the 400mm or 500mm wide mounting pattern



DISPLAY COMPATIBILITY

Attaches to the display at the 1200mm or 1500mm wide mounting patterns



ACC-V1500X Accessory Adaptor Rails for VESA® 1200mm or 1500mm Wide Mounting Patterns

Product Specifications

	DIMENSIONS (W x H x D)	PRODUCT WEIGHT	LOAD CAPACITY	FINISH	AVAILABLE COLORS
ACC-V1500X	60.74" x 1.50" x 1.00" (1543 x 38 x 25mm)	22.8lb (10.3kg)	225lb (102.1kg)* <i>*Be careful not to exceed the max load of the mount</i>	Powder Coat	Black

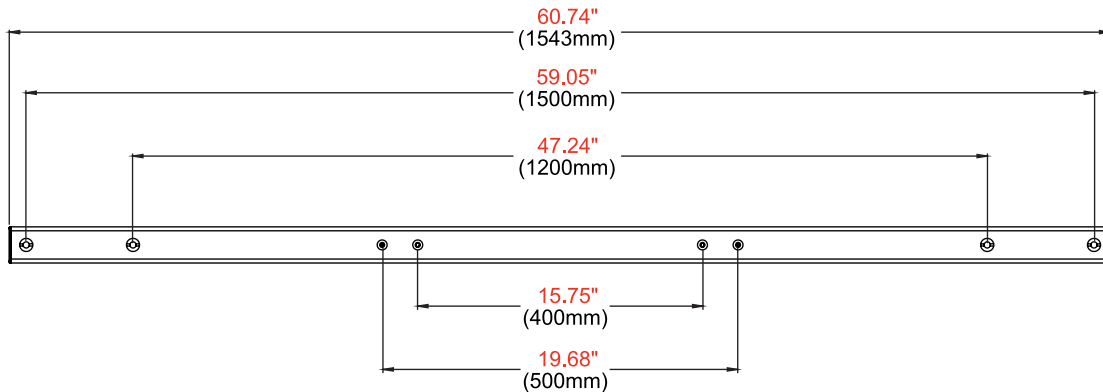
Package Specifications

	PACKAGE SIZE (W x H x D)	PACKAGE SHIP WEIGHT	PACKAGE UPC CODE	PACKAGE CONTENTS	UNITS IN PACKAGE
ACC-V1500X	64.50" x 3.00" x 3.00" (1638 x 76 x 76mm)	23.8lb (10.8kg)	735029346593	Adaptor Rails and Mounting Hardware	1

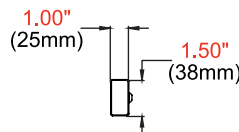
Compatible with:

- SF680(P):** SmartMount® Universal Flat Wall Mount for 60" to 98" Displays
- ST680(P):** SmartMount® Universal Tilt Wall Mount for 60" to 98" Displays
- SR598:** SmartMount® Flat Panel Cart for 55" to 98"+ Displays
- DS-VW795-QR:** SmartMount® Full Service Video Wall Mount with Quick Release for 65" to 98" Displays

All dimensions = inch (mm)



FRONT VIEW



SIDE VIEW

Architect Specifications

The Accessory Adaptor Rails shall be a Peerless-AV model ACC-V1500X and shall be located where indicated on the plans. Assembly and installation shall be done according to instructions provided by the manufacturer.

Visit peerless-av.com to see the complete line of AV solutions from Peerless-AV, including outdoor displays, kiosks, display mounts, projector mounts, carts/stands, and a full assortment of accessories.

Peerless-AV
2300 White Oak Circle
Aurora, IL 60502
USA
(800) 865-2112
(630) 375-5100

Peerless-AV EMEA
Unit 2 Curo Park
Frogmore, St. Albans
Hertfordshire, AL2 2DD
United Kingdom
+44 (0) 1923 200 100

Peerless-AV B.V.
Papendorpseweg 75
3528 BJ Utrecht
The Netherlands
+31 (0) 70 770 8037

Peerless-AV Latin America
Av. de las Industrias 413
Parque Industrial Escobedo
General Escobedo, N.L.,
México, 66062
+52 (81) 8384-8300

