



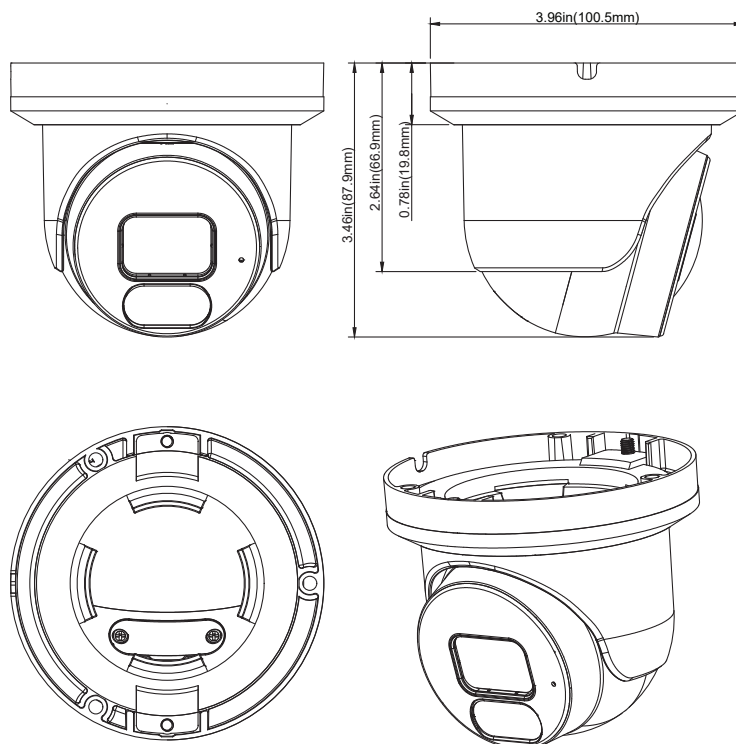
AVC-NBE41F28

NDA A
COMPLIANT | CE | FC

4MP DUAL LIGHT TURRET NETWORK CAMERA

DIMENSIONS

Unit : inch(mm)



OVERVIEW

- 4MP (2560x1440) @25fps H.265/ H.254
- Full Color / IR Mode
- 2.8mm Fixed Lens (F1.6)
- 3D DNR, D-WDR
- Dual Light: White Light LED / Infra Red LED
- Built-in MIC
- Built-in Micro SD card slot (up to 512GB)
- AI Feature : Pedestrian & Vehicle Detection, Intrusion Detection, Tripwire Counting, Loitering Detection, Region Entrance / Exiting Detection
- IP67 ingress protection
- PoE / DC12V Power supply
- Support remote monitoring by AVYCON ONE (Mobile APP) and AVYCON CMSONE (CMS)

OPTIONAL ACCESSORIES



AVM-JB-BE-S2
JUNCTION BOX



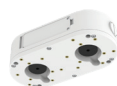
AVM-CWM-EV-S2
COMPACT
WALL MOUNT



AVM-HWM-E-S2
WALL MOUNT
WITH JUNCTION BOX



AVM-HCM-E-S2
CEILING MOUNT
WITH JUNCTION BOX



AVM-JB-DUAL-US1
DUAL JUNCTION BOX



AVM-POM-A1
POLE
MOUNT BRACKET



AVM-CRM-A1
CORNER
MOUNT BRACKET

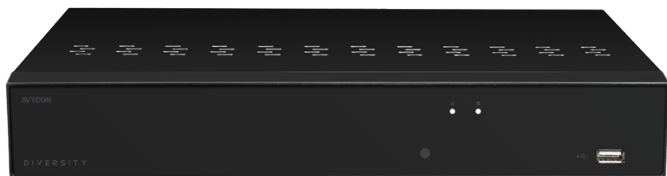
SPECIFICATIONS

VIDEO	
Imaging Device	1/3"
Effective Pixels	4MP 2560(H)×1440(V)
Scanning System	Progressive CMOS
Min. Illumination	Color 0.004lux @ F1.6 (AGC ON) ; B/W 0 lux @ IR ON
LENS TYPE	
Focal Length (Zoom Ratio)	2.8mm Fixed
Max. Aperture Ratio	F No. 1.6
Angular Field of View	Horizontal: 95°, Vertical: 51°, Diagonal: 112°
Min. Object Distance	5.9ft(1.8m)
Lens Type	Fixed(M12)
OPERATIONAL	
IR LED	1
White Light	2
IR Viewable Length	Up to 82ft(25m)
White Light Viewable Length	Up to 65ft(20m)
Type of Complementary Light	Default white light, switchable infrared light
Motion Detection	Off/On (8 Level)
Wide Dynamic Range	DWDR
Digital Noise Reduction	3D DNR
Day & Night	Full Color (default) / Day&Night / Smart Illumination
White Balance	Auto/Manual
Electronic Shutter Speed	1/5 ~ 1/20000s
Edge Storage	Micro SD/SDHC/SDXC Slot (512GB)
Alarm I/O	N/A
Audio I/O	Built-in MIC
Hardware Reset	Yes
Smart Feature	Pedestrian & Vehicle Detection (SMD), Intrusion Detection (ID), Tripwire Counting (TC), Loitering Detection (LD), Region Entrance / Exiting Detection
NETWORK	
Ethernet	RJ45(10/100BASE-T)
Video Compression Format	H.265/H.264
Resolution	Main Stream@25fps : 4MP(2560x1440) Sub Stream@25fps : VGA(640x480)
Video Quality Adjustment	512Kbps ~ 4Mbps
Bitrate Control Method	CBR/VBR
IP	IPv4
Protocol	TCP/IP, HTTP, DHCP, DNS, DDNS, RTP/RTSP,SMTP, NTP, HTTPS
Application Programming Interface	ONVIF, REST API
Web Viewer	IE10,11
ENVIRONMENTAL	
Operating Conditions	-31~140F(-35~+60°C/less than < 90% RH
Ingress Protection	IP67
ELECTRICAL	
Input Voltage / Current	D12V/PoE(IEEE802.3af)
Power Consumption	DC12V: max 5.05W ; PoE(48V): max 6.1W
MECHANICAL	
Material	Metal
Dimensions (HxWxD)	3.96 x 3.46in (100.5 x 87.9mm)
Weight	0.92lbs (420.1g)

AVR-NSV04P4 AI

NDA
COMPLIANT | CE | FC

4 CH. 4K UHD NETWORK VIDEO RECORDER
8MP / 5MP / 4MP / 1080P / 960P / 720P / 4PORT PoE NVR

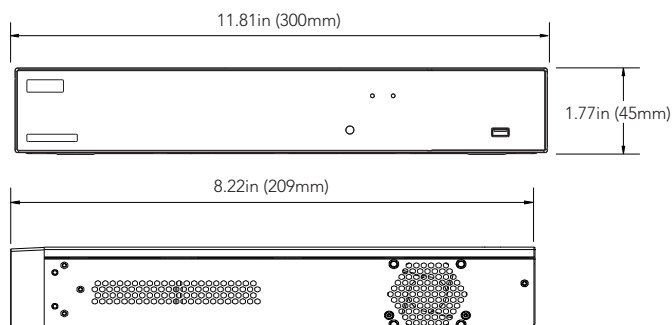


OVERVIEW

- H.265+ codec decoding
- Max. 50Mbps(4CH) input bandwidth
- Up to 8MP(4K) resolution for preview and playback
- Support to install up to 1 HDD, max total capacity of up to 16TB
- Full function network remote view via Internet (CMS, IE/Firefox/Chrome, Mac Safari)
- No limitation on adding devices to CMS, max. 128 channels preview (CMSONE)
- Support scan P2P QR code to connect NVR via Mobile app (AVY Mobile One)
- Support to save pictures/video to Dropbox storage (Dropbox)
- Support to save pictures/video to FTP server (built by user)
- VGA/HDMI output up to 4K resolution
- Support HDD S.M.A.R.T. Monitoring
- NDA compliant

DIMENSIONS

Unit : inch(mm)



MOBILE APP

AVY MOBILE ONE



REAR PANEL



SPECIFICATIONS

VIDEO	
IP Video Input	4 Channels
Output	HDMI x 1: EDID / 3840 x 2160(4K) / 2560 x 1440(2K) / 1920 x 1080 / 1440 x 900 / 1280 x 1024 / 1280 x 720 / 1024 x 768 VGA x 1: 1920 x 1080 / 1440 x 900 / 1280 x 1024 / 1280 x 720 / 1024 x 768
Incoming Bandwidth (Mbps)	50Mbps
Outgoing Bandwidth (Mbps)	64Mbps
Video Compression	H.265+/H.265/H.264+/H.264
Audio Compression	G.711a
Installation Wizard	Yes
Resolution	8MP / 5MP / 4MP / 3MP / 1080P / 960P / 720P:30fps
PLAYBACK	
Playback Frame Rate	8MP:45fps, 4MP:90fps, 2MP:180fps
Smart AI	Yes
Event Triggers	MD(Sensitivity Level 1~8), Video Loss, Beep, Email, Push Notification to Mobile App
Playback Function	Fast forward / backward (2x, 4x, 8x,16x), Slow forward (1/2x, 1/4x, 1/8x,1/16x)
Playback	Max 4CH playback
INTERFACE	
Local UI	UI5.0
Web Monitoring	IE10/11, Safari V12.1 above, Firefox V.52 above, Chrome V.57 above, Edge V.79 above
Mobile Viewer	AVY Mobile One
Push Notification	TUTK/RS
Password Reset	Factory Reset (Press 10 seconds)
HDD Interface	SATA x 1, Max 16TB HDD
SYSTEM	
PoE	4 x RJ45, 802.3at/af
Ethernet	1 RJ45 10/100/1000 Base-T
USB	USB 2.0 x 1 (Front Panel), USB 3.0 x 1 (Rear Panel)
Audio	1 IN / 1 OUT
E-Sata	No
RS485	1
Alarm Input/out	4 IN / 1 OUT
GENERAL	
OSD Language	English and more
Power Consumption	4W (Without HDD)
Power Supply	DC48V/2A
Working Environment	32°~104°F (0°~40° Celcius)
Working Humidity	Less than 90%RH (Non-Condensing)
Dimensions	11.81" x 8.22" x 1.77" (300mm x 209mm x 45mm)

HDD OPTIONS

- 1TB HDD: AVR-NSV04P4-1T
- 2TB HDD: AVR-NSV04P4-2T
- 3TB HDD: AVR-NSV04P4-3T
- 4TB HDD: AVR-NSV04P4-4T
- 6TB HDD: AVR-NSV04P4-6T
- 8TB HDD: AVR-NSV04P4-8T
- 10TB HDD: AVR-NSV04P4-10T
- 12TB HDD: AVR-NSV04P4-12T
- 14TB HDD: AVR-NSV04P4-14T