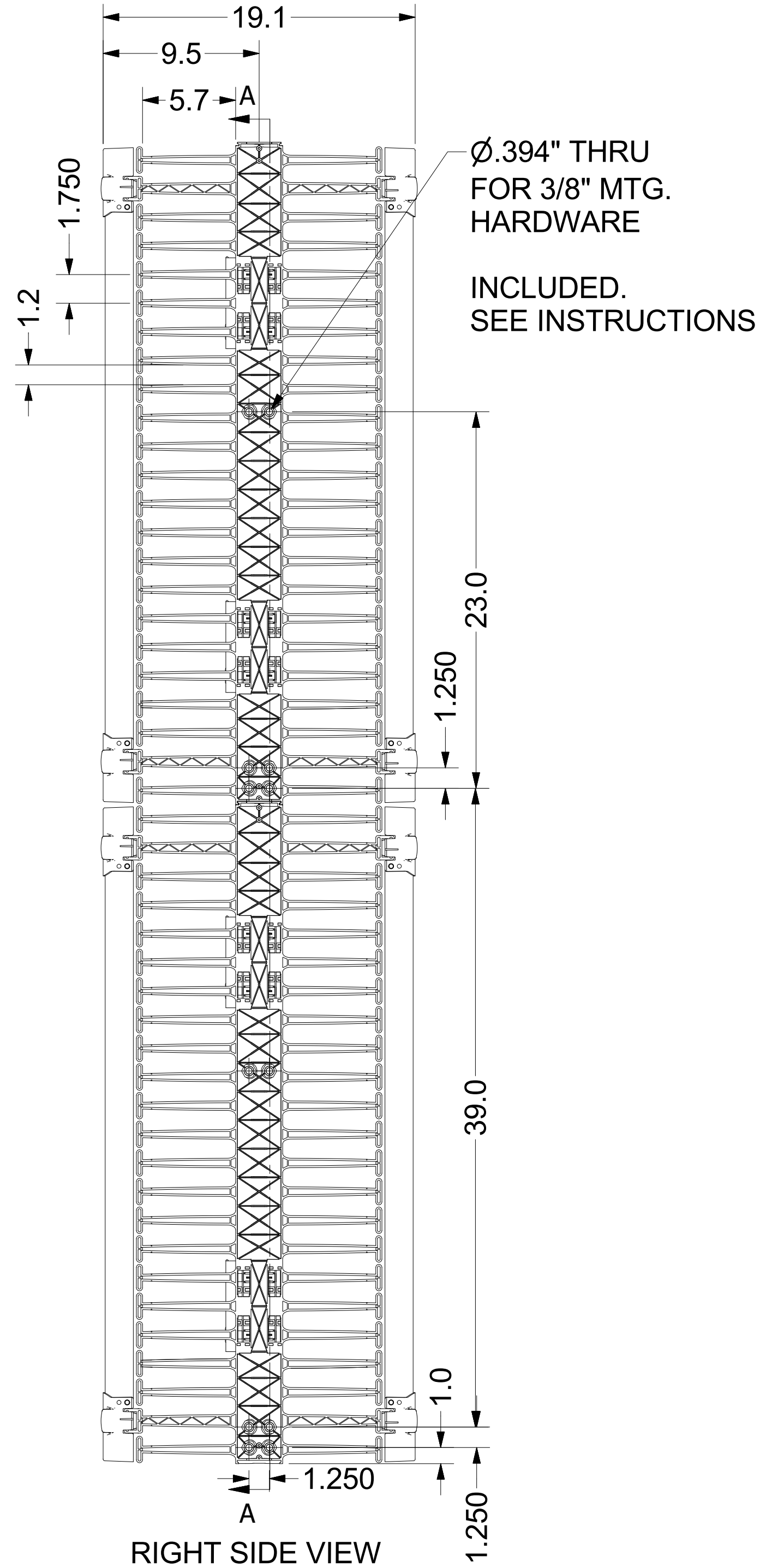
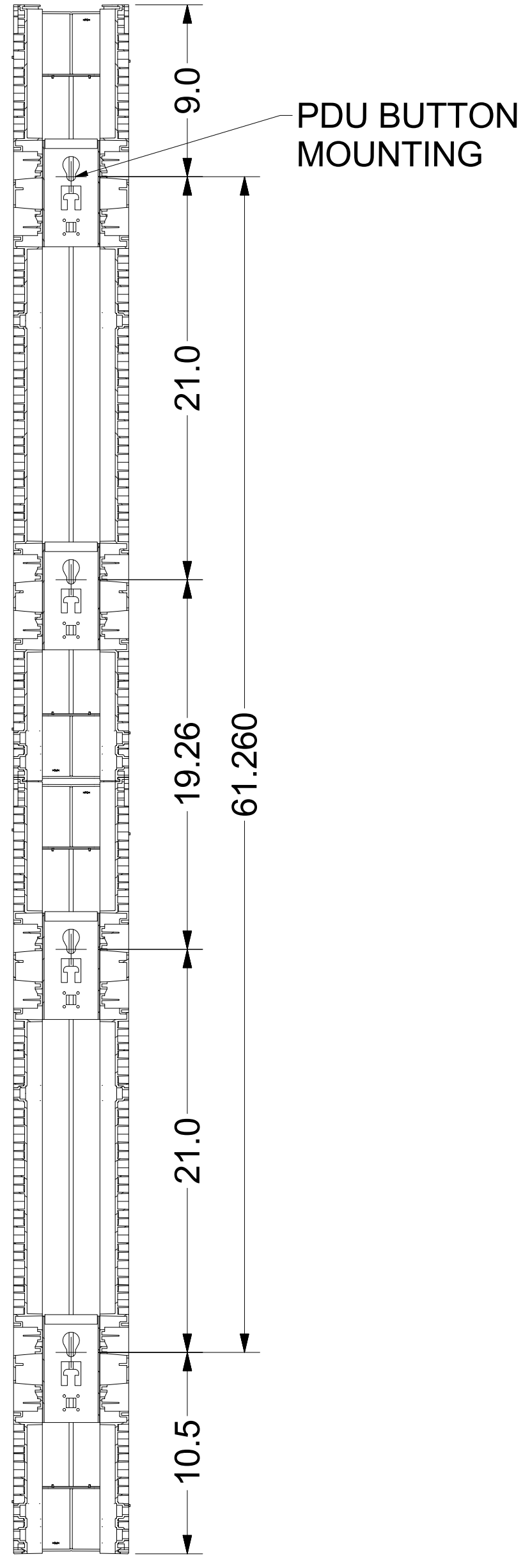


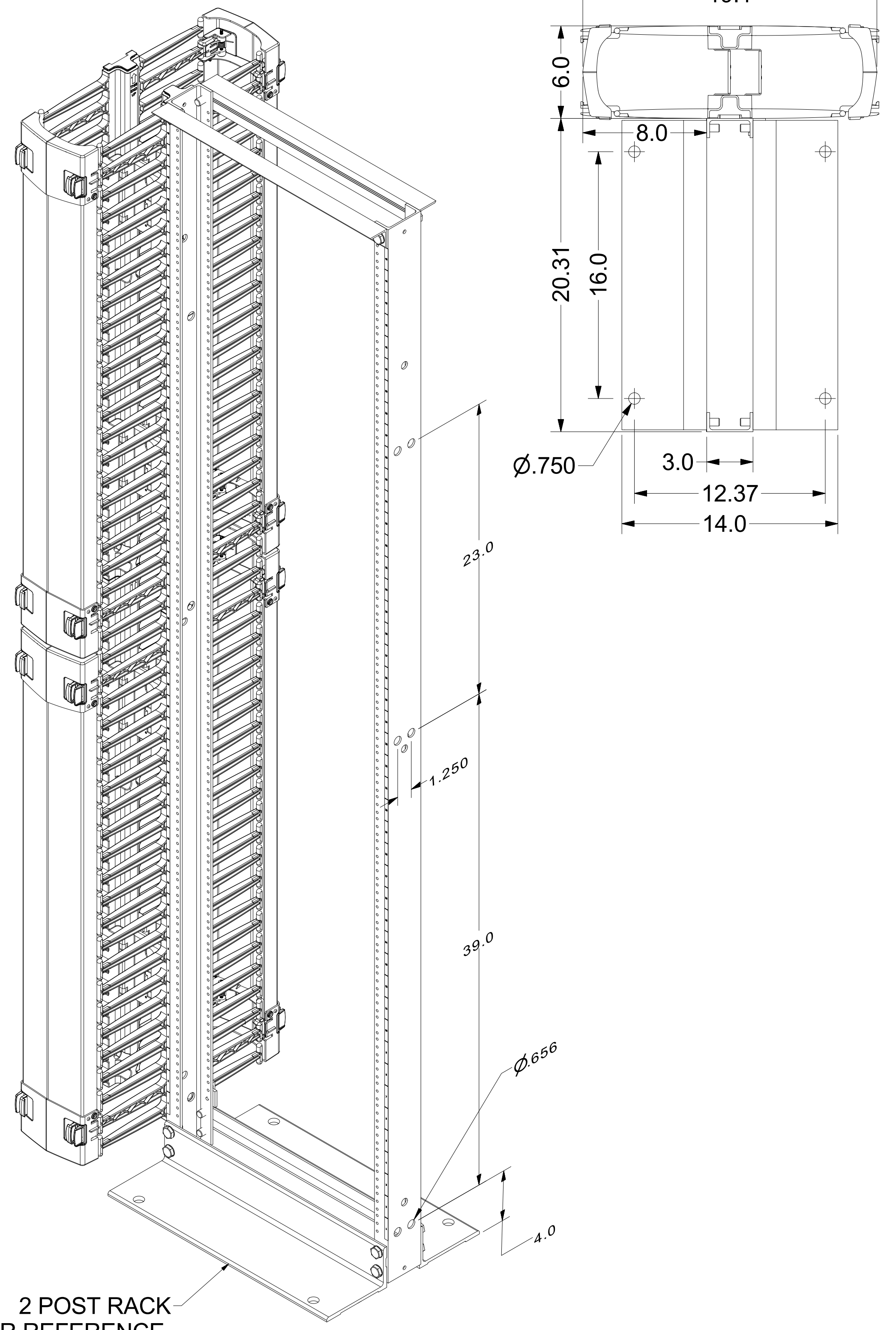
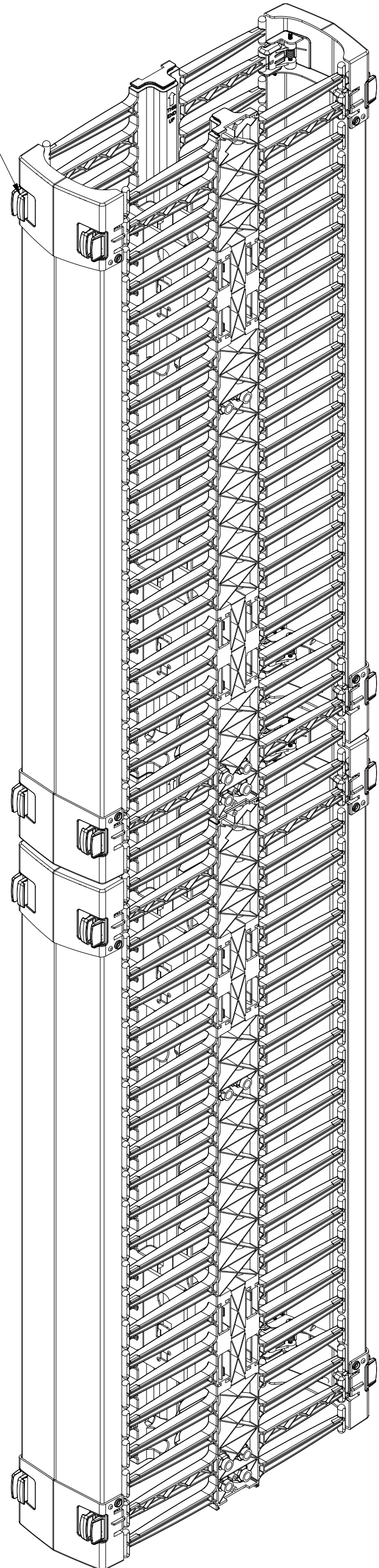
TOP VIEW



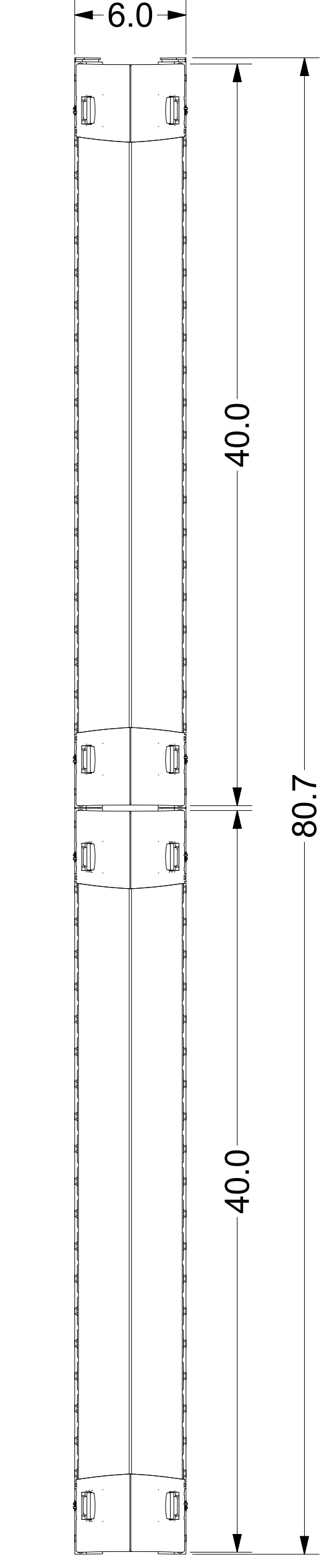
RIGHT SIDE VIEW



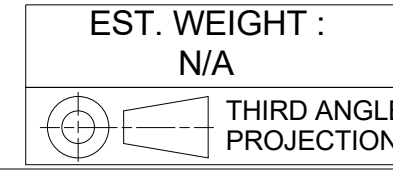
SECTION A-A



2 POST RACK FOR REFERENCE.



FRONT VIEW



EST. WEIGHT :
N/A

INTERPRET DRAWING PER ASME Y14.5M-1994
DIMENSIONAL LIMITS APPLY AFTER APPLICATION OF FINISH
DRAWING NOT TO SCALE
TOLERANCE UNLESS OTHERWISE NOTED:
ANGULAR +/- 1°
.XXXX +/- .010
.XXX +/- .015
.XX +/- .030
.X FOR REF. ONLY
UNLESS OTHERWISE SPECIFIED ALL DIMENSIONS ARE IN INCHES

NOTICE:

Use of this document is subject to a confidentiality and nondisclosure agreement with Great Lakes Data Racks & Cabinets and may not be reproduced, disclosed or utilized in whole or in part without prior written authorization from Great Lakes.

PART NUMBER:
VCMP-45U-0606FR
MATERIAL TYPE:
PLASTIC
MATERIAL GAUGE:
FINISH:
SMOOTH
DRAWN
DATE
7/15/2021
CHECKED & APP.
DATE
9-3-21
WSS

TITLE
**45 RMU x 6"W x 18"D, Vertical Cable Manager
6" Fingers front & rear, Black**
GREAT LAKES DATA RACKS & CABINETS
P.O. BOX 551 EDINBORO, PA 16412
PHONE (814) 734-7303 FAX (814) 734-3907
E-MAIL info@greatcabinets.com

DWG NO:
VCMP45U0606FR
REV
0
SHEET: 1 OF 1