

4900

Heavy Duty Deadlatch

4900 Heavy Duty Deadlatch provides flexible traffic control and easy installation.



Aluminum

Swinging
Door

MS® Prep

Function

Flexibility of traffic control and easy installation is offered by 4900 Series Heavy Duty Deadlatches. A key-controlled bolt hold-back feature allows for two-way traffic for applications which require free entrance at certain times and exit-only at other times. This allows a "locked" entrance to be used as an exit by visitors already in the building. 1-3/4" [44.5 mm] minimum door thickness required. Interchangeable, without stile modification, with any MS1850S deadbolt of same backset and faceplate shape. Also retrofits to existing 4510 and discontinued 4700 Deadlatch preparations.

Operation

Turn key or operate handle or paddle to retract spring-loaded latchbolt. To hold bolt retracted, push it in and secure by reverse turn of key. Lock accepts any standard 1" [25.4 mm] length, 1-5/32" [29.4 mm] diameter mortise cylinder with MS® cam such as the 4036 Mortise Cylinder or thumbturn such as the 4066 Thumbturn, available separately. Lock accepts cylinder from either or both sides.



Features

Cylinder Backset

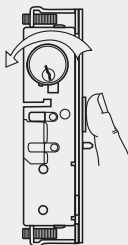
31/32" [24.6 mm], 1-1/8" [28.6 mm], or 1-1/2" 38.1 mm].

Case

Steel with corrosion-resistant plating. Measures 7/8" x 5-13/16" x depth [22.2 mm x 147.6 mm x depth]. Depth varies by backset (see table on back of page). Screw-fastened tube spacer brackets allow for cleaner removal when tab mounting.

Bolt Holdback

While bolt is held fully retracted, a reverse turn of the key retains the bolt, allowing the door to be free swinging.



Latchbolt

Solid brass. Handing is easily reversible without special tools. Measures 5/8" x 1" x 5/8" [15.9 mm x 25.4 mm x 15.9 mm] throw.

Auxiliary Linchpin

Stainless steel. Deadlocks latch bolt to prevent "loiding" or case-knife entry.

Faceplate

Measures 1" x 6-7/8" [25.4 mm x 174.6 mm]. Both flat and radius faceplates are supplied. Flat faceplates can also be adjusted in the field for right or left beveled edge doors.

Strike

Standard strike furnished is 4902 for flat jamb where door closes flush or nearly flush. Specify 4901 for retrofit installations. Also available: radius strike for opposite stile in paired doors and long lip strikes for center-hung doors.

Standard Package

Individually boxed with strike plate, flat and radius faceplates, and mounting screws. Cylinder, paddle, handle available separately.

Shipping Weight

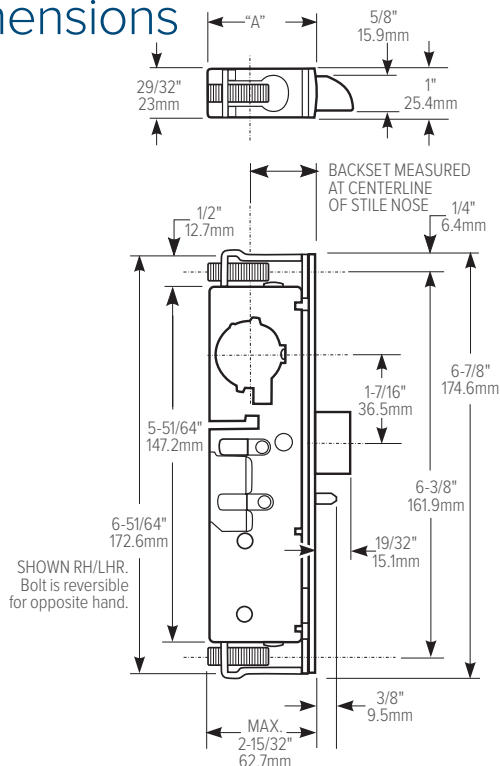
1-1/4 lbs [0.57 kg].

Options

- Backset, faceplate shape, strike, handing, and finish must be specified when ordering. See 4920AN Heavy Duty Deadlatch (ANSI Size) for wood and hollow metal door applications.
- Available without faceplate or strike plate, select 4913.
- Available in choice of 313 Dark bronze anodized, 335 Black anodized, 628 Clear anodized.

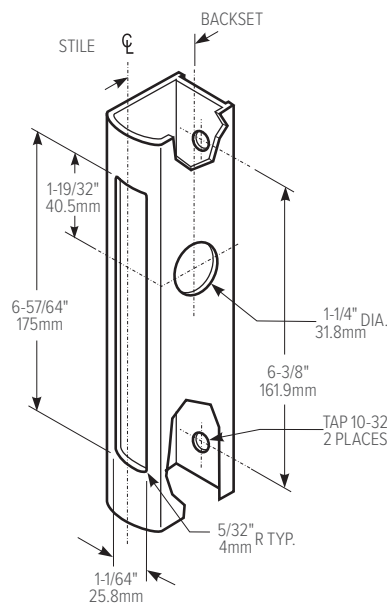
All measurements are approximate and are provided for informational purposes only. Refer to the product Installation Instructions.

Dimensions



Stile Preparation

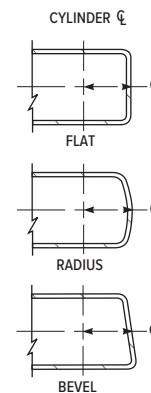
Identical to MS1850A or MS1850S Series
(See also prep for 4591 paddle).



4900
Heavy Duty
Deadlatch

59
DEADLATCHES

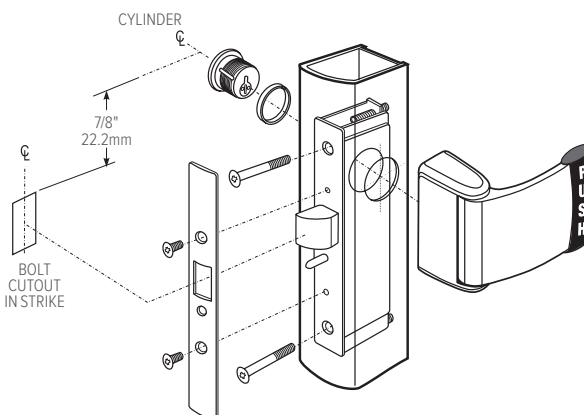
HOW BACKSET IS MEASURED:



ARMORED FACEPLATE
1" X 6-7/8"



Latch Paddle & Cylinder Installation



BACKSET	"A"
31/32" 24.6mm	1-5/8" 41.3mm
1-1/8" 28.6mm	1-49/64" 44.8mm
1-1/2" 38.1mm	2-9/64" 54.4mm

Flat faceplate can be adjusted for right or left beveled edge doors.

How to Order & Related Products

4900 Heavy Duty Deadlatch: Specify quantity and the following information. Order related products separately.

MODEL	FACEPLATE	BACKSET	HANDING	STRIKE SIZE	STRIKE SHAPE/LIP LENGTH	FACEPLATE FINISH
49	00	- 3	5	- 2	01	- 628
	00 Standard	2 31/32"	5 LH or RHR	1 Mortised (4901) 4-5/8"	01 Flat/Standard Jamb	313 Dark Bronze Anodized
	11W Radius with Weatherstrip	3 1-1/8"	6 RH or LHR	2 Mortised (4902) 2-5/8"	02 Radius/Standard Stile	335 Black Anodized
	13 Without faceplate, without strike plate	4 1-1/2"			17 Flat/Center Hung 4" Jamb	628 Clear Anodized
					21 Flat/Center Hung 4-1/2" Jamb	

RELATED PRODUCTS When purchasing this product, please consider the following related products, available separately:

ELECTRIC STRIKES	TRIM	CYLINDERS	ACCESSORIES
7100/7101, 7110/7111, 7130/7131, 7140 Electric Strikes, 7400/7401, 7410/7411, 7430/7431, 7440 Electric Strikes	3080, 3080E Series Entry Trim, 3090-150, 4560, 4565 Deadlatch Handles, 4568, 4569 Eurostyle Deadlatch Handles, 4590, 4591 Paddles, 4600 Deadlatch Handle	Standard 1" length, 1-5/32" diameter mortise cylinder with MS® cam such as 4036 Mortise Cylinder, 4066 Thumbturn 4043 Cylinder guard	4104 Mounting Bridge, 91-0965 Mounting Kit for radiused door, 91-0966 Mounting Kit for beveled door, 26-00090XX Tube Spacer, 4901, 4902 Deadlatch Strikes

Patent pending and/or patent www.assaabloydss.com/patents. Copyright © 2025, Hanchett Entry Systems, Inc., an ASSA ABLOY Group company. All rights reserved. Reproduction in whole or in part without the express written permission of Hanchett Entry Systems, Inc. is prohibited.

Adams
Rite
ASSA ABLOY