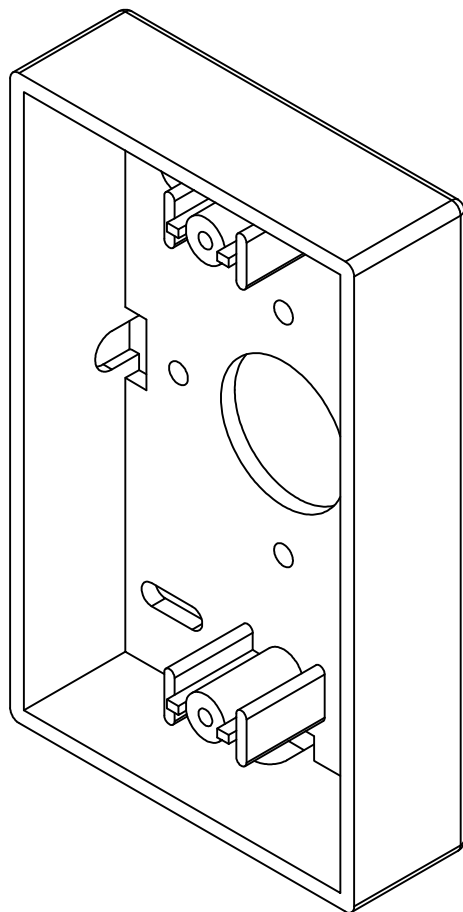


Single Gang Low-Profile Mounting Box

PRODUCT SPECIFICATION



Package includes:

- A. Single Gang Low-Profile Mounting Box, 1 pc
- B. Double Sided Adhesive Pad, 1 pc
- C. #6-32 x 3/4" Pan Head, Sharp Point Tapping Screw, 2 pcs

Single Gang Low-Profile Mounting Box

Features and Benefits:

- Provides a surface mounted solution for a variety of media, including voice, data, CATV, fiber, audio and video distribution to the work area
- Fits standard NEMA single gang electrical boxes
- Multiple mounting options including adhesive backing and screws
- Rear cable entry for clean external appearance
- Rugged and durable construction
- Accommodates ICC faceplates and inserts with screw down termination, and Decorex screw down inserts and faceplates, except ones with non-centered integrated F-Type connections
- Available in ivory and white
- ANSI/TIA-568-C and UL 1863 compliant

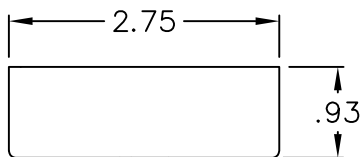
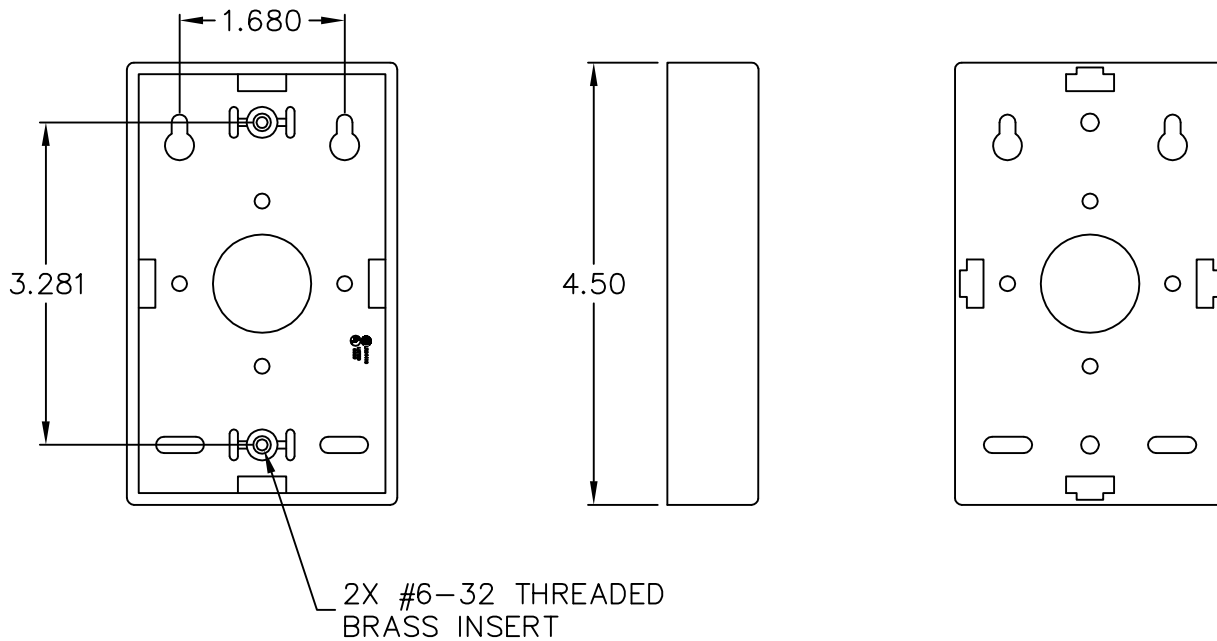
MOUNTING BOX, LOW-PROFILE, 1-GANG

ITEM NO.	IC250MBSXX
DWG NO.	PS250MBS00

REV.	A
PAGE NO.	1




CUSTOMER CARE / TECHNICAL SUPPORT * CSR@ICC.COM / 888-ASK-4-ICC (275-4422) * 2100 E. Valencia Dr, Suite D, Fullerton, CA 92831 * www.icc.com



NOTE: UNLESS OTHERWISE SPECIFIED

1. MATERIAL: ABS, UL 94V-0
2. COLOR: XX: IV-IVORY & WH-WHITE

UL US FILE NO. 125268

MOUNTING BOX, LOW-PROFILE, 1-GANG		 <i>PremiumProducts</i> <i>ProvenPerformance</i> <i>CompetitivePrices</i>	
ITEM NO.	IC250MBSXX		REV. A
DWG NO.	PS250MBS00	PAGE NO.	2

CUSTOMER CARE / TECHNICAL SUPPORT * CSR@ICC.COM / 888-ASK-4-ICC (275-4422) * 2100 E. Valencia Dr, Suite D, Fullerton, CA 92831 * www.icc.com