



AVC-NLE51F28

NDA
COMPLIANT | CE | FC

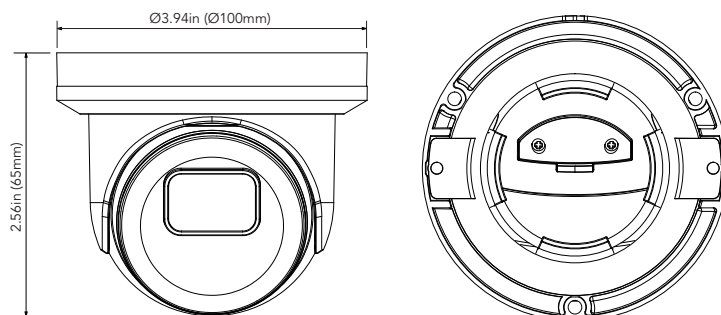
5MP H.265 FIXED EYEBALL NETWORK CAMERA

OVERVIEW

- 5MP (2592x1944) @ 20fps
- Max. Resolution: 2592x1944
- Supports Smart H.265/H.264 Encoding
- Day & Night AUTO ICR
- Fixed 2.8mm Lens (F1.6)
- 3D DNR, D-WDR, BLC and ROI Encoding
- Built-in micro SD card slot with video and still image capture function (up to 256GB)
- Built-in MIC
- IP67 Ingress Protection
- DC12V/PoE power supply
- Support remote monitoring by AVYCON ONE (Mobile APP) and AVYCON CMSONE (CMS)

DIMENSIONS

Unit : inch(mm)



OPTIONAL ACCESSORIES



AVM-JB-BE-S2
JUNCTION BOX



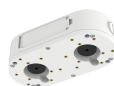
AVM-CWM-EV-S2
COMPACT
WALL MOUNT



AVM-HWM-E-S2
WALL MOUNT
WITH JUNCTION BOX



AVM-HCM-E-S1
CEILING MOUNT
WITH JUNCTION BOX



AVM-JB-DUAL-US1
DUAL JUNCTION BOX



AVM-POM-A1
POLE
MOUNT BRACKET



AVM-CRM-A1
CORNER
MOUNT BRACKET

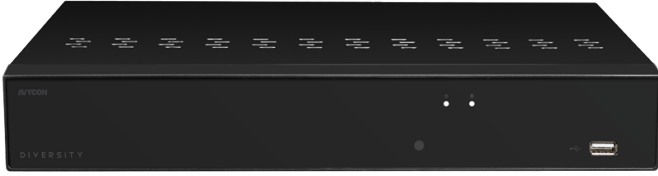
SPECIFICATIONS

VIDEO	
Imaging Device	1/2.7" Progressive CMOS
Resolution	Main Stream: 2592x1944, 2560x1440, 2592x1520, 2304x1296, 1920x1080, 1280x960, 1280x720 Sub Stream: 1280x720, 640x480, 320x240 Mobile Stream: 320x240
Max. Framerate	Main Stream: Max. 20fps/20fps (60Hz/50Hz) @ 5MP 30fps/25fps (60Hz/50Hz) @ 4MP Sub Stream: Max. 20fps (60Hz/50Hz) Mobile Stream: Max. 20fps (60Hz/50Hz)
Min. Illumination	Color: 0.004 lux @ F1.6 (AGC on) B/W: 0 lux (IR LED on)
Compression	Video: H.265/H.264 Main Profile Audio: G.711a / G.711u
Bitrate Control	CBR or VBR (256Kbps ~ 8Mbps)
LENS	
Focal Length (Zoom Ratio)	2.8mm Fixed
Max. Aperture Ratio	F1.6
Angular Field of View	Horizontal: 97°, Vertical: 70°, Diagonal: 128°
Min. Object Distance	5.9ft (1.8M)
Focus Control	N/A
Lens Type	Fixed (M12)
PAN / TILT / ROTATE	
Pan / Tilt / Rotate Adjustment	Manual Adjustment
OPERATIONAL	
Camera Title	Title Displayed up to 32 characters
Day & Night	AUTO (ICR)
Exposure Compensation	BLC, D-WDR
Digital Noise Reduction	3D DNR
Digital Image Stabilization	N/A
Motion Detection	Rectangle Grid (8 Levels of Sensitivity)
Privacy Masking	4 Rectangle Zones
Gain Control	AUTO
White Balance	AUTO / MANUAL
LDC	N/A
Electronic Shutter Speed	AUTO / Manual (1/5 ~ 1/20000s)
Video Rotation	Flip / Mirror
Analytics	N/A
Alarm I/O	N/A
Alarm Triggers	Motion, Sound Detection
Alarm Events	Notification via E-mail, Image file upload via FTP, Video file upload via FTP, Image file upload to Cloud (Dropbox), Video file upload to Cloud (Dropbox), Micro SD recording at event triggered, Event Push via HTTP / UDP
Audio In	Built-in MIC
Audio Out	N/A
IR Viewable Length	98ft (30M)
NETWORK	
Ethernet	RJ45 (10/100BASE-T)
Streaming	Unicast / Multicast
Protocol	TCP/IP, HTTP, DHCP, DNS, DDNS, RTP/RTSP, SMTP, NTP, UPnP, SNMP, HTTPS, FTP
Security	Login Authentication, IP Address Filtering, User access log
Application Programming Interface	ONVIF Profile S/G/T, REST API
GENERAL	
Webpage Language	English, Korean
Edge Storage	Micro SD/SDHC/SDXC Slot (up to 256GB) with video and still image capture function
Memory	N/A
ENVIRONMENTAL & ELECTRICAL	
Operating Temperature / Humidity	-31°~140°F (-35°~+60°C) / less than ° 95% RH
Storage Temperature / Humidity	
Certification	IP67
Input Voltage	PoE (IEEE802.3at) / 12VDC
Power Consumption	Max. 3W (IR LED off), Max. 5W (IR LED on)
MECHANICAL	
Color / Material	White / Metal
Product Dimensions / Weight	Ø3.94x2.56in (100x65mm) / 0.91lbs (415g)
DORI (EN62676-4-STANDARD)	
Detect (25PPM / 8PPF)	
Observe (63PPM / 19PPF)	
Recognize (125PPM / 38PPF)	
Identify (250PPM / 76PPF)	

AVR-NSV08P8 AI

NDA COMPLIANT |  TAA COMPLIANT | CE | FC

8 CH. 4K UHD NETWORK VIDEO RECORDER
8MP / 5MP / 4MP / 1080P / 960P / 720P / 8PORT PoE NVR

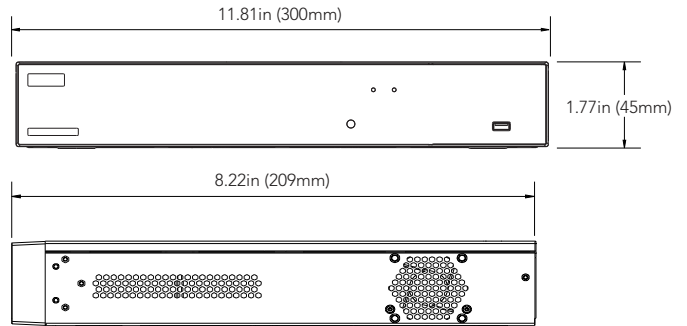


OVERVIEW

- H.265+ codec decoding
- Max. 128Mbps(8CH) input bandwidth
- Up to 8MP(4K) resolution for preview and playback
- Support to install up to 1 HDD, max total capacity of up to 16TB
- Full function network remote view via Internet (CMS, IE/Firefox/Chrome, Mac Safari)
- No limitation on adding devices to CMS, max. 128 channels preview (CMSONE)
- Support scan P2P QR code to connect NVR via Mobile app (AVY Mobile One)
- Support to save pictures/video to Dropbox storage (Dropbox)
- Support to save pictures/video to FTP server (built by user)
- VGA/HDMI output up to 4K resolution
- Support HDD S.M.A.R.T. Monitoring
- NDA compliant

DIMENSIONS

Unit : inch(mm)



MOBILE APP

AVY MOBILE ONE



REAR PANEL



SPECIFICATIONS

VIDEO	
IP Video Input	8 Channels
Output	HDMI x 1: EDID / 3840 x 2160(4K) / 2560 x 1440(2K) / 1920 x 1080 / 1440 x 900 / 1280 x 1024 / 1280 x 720 / 1024 x 768 VGA x 1: 1920 x 1080 / 1440 x 900 / 1280 x 1024 / 1280 x 720 / 1024 x 768
Incoming Bandwidth (Mbps)	128Mbps
Outgoing Bandwidth (Mbps)	128Mbps
Video Compression	H.265+/H.265/H.264+/H.264
Audio Compression	G.711a
Installation Wizard	Yes
Resolution	8MP / 5MP / 4MP / 3MP / 1080P / 960P / 720P:30fps
PLAYBACK	
Playback Frame Rate	8MP:45fps, 4MP:90fps, 2MP:180fps
Smart AI	Yes
Event Triggers	MD(Sensitivity Level 1~8), Video Loss, Beep, Email, Push Notification to Mobile App
Playback Function	Fast forward / backward (2x, 4x, 8x,16x), Slow forward (1/2x, 1/4x, 1/8x,1/16x)
Playback	Max 8CH playback
INTERFACE	
Local UI	UI5.0
Web Monitoring	IE10/11, Safari V12.1 above, Firefox V.52 above, Chrome V.57 above, Edge V.79 above
Mobile Viewer	AVY Mobile One
Push Notification	TUTK/RS
Password Reset	Factory Reset (Press 10 seconds)
HDD Interface	SATA x 1, Max 16TB HDD
SYSTEM	
PoE	8 x RJ45, 802.3at/af
Ethernet	1 RJ45 10/100/1000 Base-T
USB	USB 2.0 x 1 (Front Panel), USB 3.0 x 1 (Rear Panel)
Audio	1 IN / 1 OUT
E-Sata	No
RS485	1
Alarm Input/out	8 IN / 1 OUT
GENERAL	
OSD Language	English and more
Power Consumption	5W (Without HDD)
Power Supply	DC48V/2A
Working Environment	32°~104°F (0°~40° Celcius)
Working Humidity	Less than 90%RH (Non-Condensing)
Dimensions	11.81" x 8.22" x 1.77" (300mm x 209mm x 45mm)

HDD OPTIONS

- 1TB HDD: AVR-NSV08P8-1T
- 2TB HDD: AVR-NSV08P8-2T
- 3TB HDD: AVR-NSV08P8-3T
- 4TB HDD: AVR-NSV08P8-4T
- 6TB HDD: AVR-NSV08P8-6T
- 8TB HDD: AVR-NSV08P8-8T
- 10TB HDD: AVR-NSV08P8-10T
- 12TB HDD: AVR-NSV08P8-12T
- 14TB HDD: AVR-NSV08P8-14T