

SMART Series 8MP Panoramic Turret Camera TP-MEP8M16-1Y



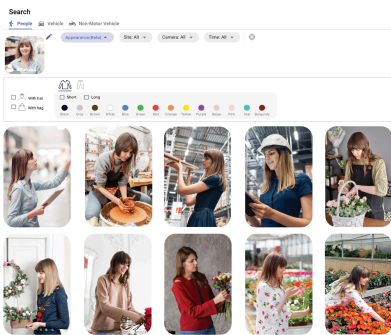
The TP-MEP8M16-1Y 5MP turret camera is a single-sensor camera capable of viewing a full 180-degree field of view. It naturally generates a high quality 16:9 image, and is perfectly suited for tight spaces or any scene that requires an extremely wide viewing angle. Comes with TV-CORE1Y for people* and vehicle attributes and cloud events.

KEY FEATURES

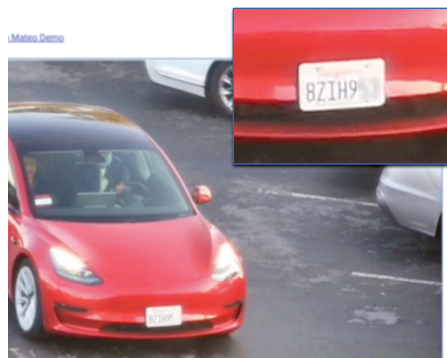
- 8MP 16:9 image sensor
- 180-degree panoramic view
- Built-in mic
- Connects to TURING VISION® cloud VMS via Turing Smart Series NVR
- Includes TV-CORE1Y license
- Up to 10-year extended warranty with CORE AI license
- NDAA compliant



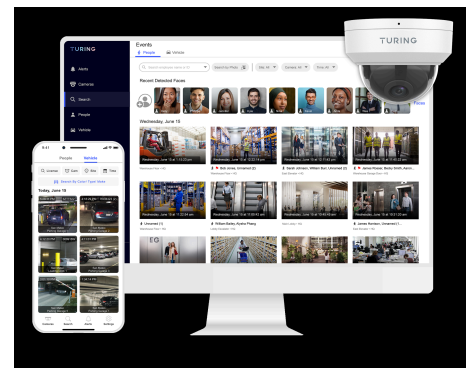
EMPOWER VIDEO SECURITY WITH TURING VISION® AND CORE AI



People* & vehicle attribute search



License plate detection and comparison



Customized smart alerts anywhere using Vision apps

*Activation depends on state regulations and the compliance with Biometric Information Protection Act (BIPA). Please refer to our privacy policy.

Visit turing.ai/get-core to find out more about CORE AI





SPECIFICATIONS

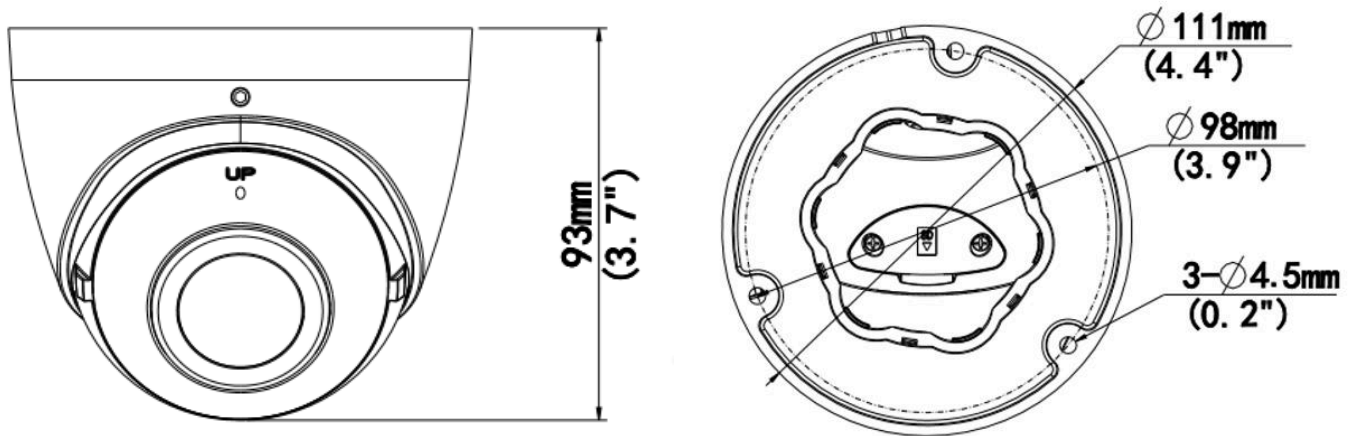
MODEL NUMBER	TP-MEP5M16-1Y
TURING VISION ® SUPPORT	
TURING VISION ® Cloud VMS	Included
CORE AI License	Includes TV-CORE1Y; extensions and add-ons available
Prerequisites	Turing SMART Series NVR & bridge
VIDEO & AUDIO	
Image sensor	1/2.7", 8.0 megapixel, progressive scan CMOS
Lens	Focal Length: 1.68mm @ F2.0; Angle of view: 180°
Minimum Illumination	Color: 0.01Lux (F2.0, AGC ON); 0 Lux with IR in B&W night mode
IR LED	Smart IR Range: Up to 20m (66 ft); Wave Length: 850nm
Shutter	Auto/Manual, shutter time: 1~1/100000 s
Image Processing	WDR: 120 dB; S/N: >56dB; Noise reduction: 2D/3D; Defog: Digital Defog
Video Encoding	Ultra 265, H.265, H.264 (Baseline profile, Main Profile, High Profile), MJPEG; ROI: Up to 8 areas
Available Resolution and Frame Rate	Main Stream 8MP (3840*2160), Max 30fps;5MP (3072*1728), Max 30fps; 4MP (2560*1440), Max 30fps; 1080P (1920*1080) Sub Stream 720P (1280*720), Max 30fps; D1 (720*576), Max 30fps; 640*360, Max 30fps; 2CIF(704*288): CIF(352*288) Third Stream D1 (720*576), Max 30fps; 640*360,Max 30fps; 2CIF(704*288), Max 30fps; CIF(352*288), Max 30fps;
On-screen Overlay	OSD: Up to 8 OSD; Privacy Mask: Up to 4 areas
White Balance	Auto/Outdoor/Fine Tune/Sodium Lamp/Locked/Auto2
Image Rotation	Normal/Flip Vertical/ Flip Horizontal/180°
Audio I/O	Built-in Mic
Audio Compression	G.711, 64 Kbps, 8KHz, audio suppression
Onboard Storage	microSD slot (SD card not included); up to 512GB
Event Handling	
DORI	Detect:124ft; Observe:49.6ft; Recognize:24.8ft; Identify: 3.8ft
Event type	Basic: motion detection, tampering alarm, audio detection; Intelligent: cross Line, intrusion and enter area with people, vehicle, and non-motor vehicle classifications
NETWORK ACCESSIBILITY & SECURITY	
Protocols	IPv4, IGMP, ICMP, ARP, TCP, UDP, DHCP, PPPoE, RTP, RTSP, RTCP, DNS, DDNS, NTP, FTP, UPnP, HTTP, HTTPS, SMTP, 802.1x, SNMP, QoS, RTMP, SSH
Compatible Integration	ONVIF (Profile S, Profile G, Profile T), API,SDK
User/Host	Up to 32 users. 3 user levels: administrator and common user
Security	Password protection, Strong password, HTTPS encryption, Export operation logs, Basic and digest authentication for RTSP, Digest authentication for HTTP, TLS 1.2, WSSE and digest authentication for ONVIF
Network	1 RJ45 10M/100M Base-TX Auto-adaptive Ethernet
GENERAL	
EMC	CE-EMC (EN 55032,EN 61000-3-3,EN IEC 61000-3-2,EN 55035) FCC (FCC 47 CFR part15 B)
Safety Certification	CE LVD (EN 62368-1); CB (IEC 62368-1); UL/CUL (UL 62368-1, CAN/CSA C22.2 No. 62368-1)
Power	DC12V±25%,PoE (IEEE 802.3af); Max. 5.5W; Surge Protection: 4KV
Dimensions & Weight	Φ111 x 93mm (Φ4.4"x 3.7")
Working Environment	-30°C ~ 60°C (-22°F ~ 140°F), Humidity: ≤95% RH (non-condensing)
Storage Environment	-30°C ~ 60°C (-22°F ~ 140°F), Humidity: ≤95% RH (non-condensing)
Reset Button	Support
Environmental Protection	Ingression protection: IP67; Vandal resistance: IK10

Specification subject to change without prior notices

ORDERING INFORMATION

MODEL NUMBER	Bundled CORE AI	CORE AI License Add-On
TP-MEP8M16-1Y	TV-CORE1Y 1-Year License	TV-CORE1Y/3Y/5Y; TV-UPG2Y/4Y/9Y

DIMENSIONS



MOUNTING ACCESSORIES

MODEL NUMBER	DESCRIPTION / APPLICATION	COMPATIBLE ACCESSORIES
TP-EFDJB	Junction Box	TP-AIPMB - 200mm indoor pendant base TP-IPME2 - 200mm indoor pendant extension (requires base) TP-IPME5 - 500mm indoor pendant extension (requires base)
TP-EFDWM	Wall Mount	TP-WMCM - corner mount
TP-EFDWJ	Wall Mount with Junction Box	TP-UDPM - pole mount
TP-EFDTM	Tilt Plate	
TP-EFDEP	Gang Box Adapter Plate	Standard single & double gang boxes
TP-EFDPC	G1.5" Pendant Cap	