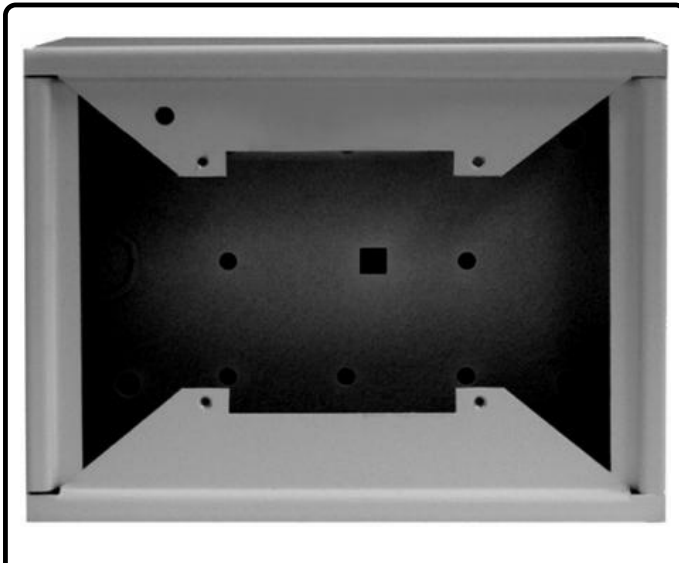




### 4317 Surface Back Box/Housing



#### 4317 SURFACE BACK BOX/HOUSING

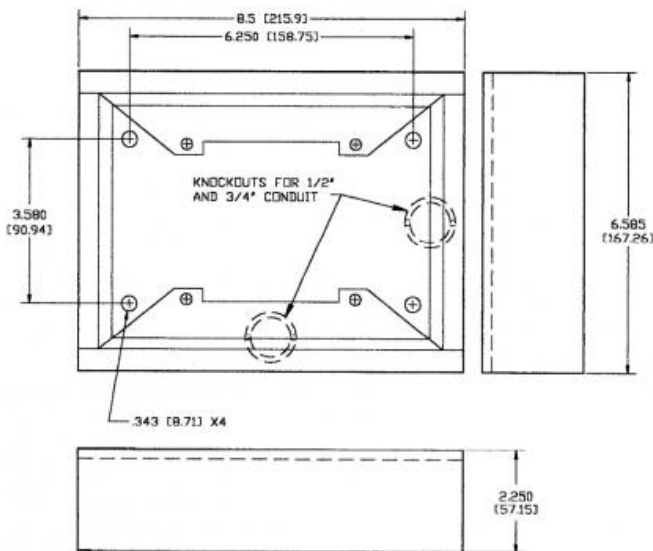
The model# 4317 Surface Mount Backbox/Housing enclosure is used in vandal-resistant applications to surface mount various Jeron High Security stations.

The backbox is constructed of a single piece of .060", 16 ga. cold rolled steel with welded seams and provides for recessed mounting of the installed device station/faceplate. Grey mar-resistant baked epoxy finish. Flush threaded fasteners integral to the unit accept Jeron High Security station screws.

#### FEATURES

- Correctional Grade Construction
- Grey mar-resistant Epoxy pre-finish
- Wall or ceiling Mount
- Made in U.S.A.

#### DIMENSIONS



#### Alpha Communications

42 Central Drive • Farmingdale • NY • 11735-1202 • Phone: (631) 777-5500 • Fax: (631) 777-5599  
TOLL-FREE: (800) 666-4800 • Web: [www.alphacommunications.com](http://www.alphacommunications.com) • Email: [info@alphacommunications.com](mailto:info@alphacommunications.com)

Copyright© 1998-2023 Alpha Communications® - All Rights Reserved.

Due to continuous product improvement, all colors, sizes, materials, finishes and specifications are subject to change without notice.