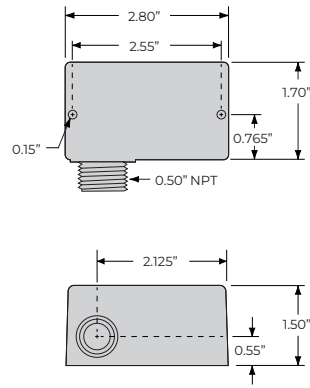
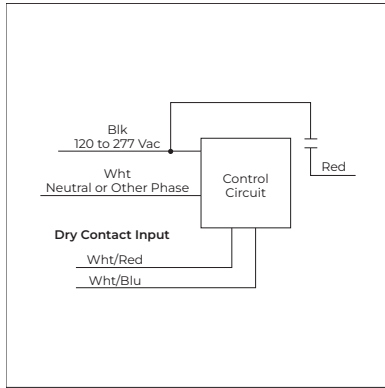


LIGHT CONTROLLER

CLC212

Closet Light Controller Relay, 10 Amp SPST-N/O,
Separated Class 2 Dry Contact Input, 120-277 Vac Power, NEMA 1 Housing



SPECIFICATIONS

# Relays & Contact Type	One (1) SPST-N/O Continuous Duty Coil
Expected Relay Life	10 million cycles minimum mechanical
Operating Temperature	-30 to 140° F
Operate Time	1.8 seconds
Relay Status	LED On = Activated
Dimensions	1.70"H x 2.80"W x 1.50"D with 0.50" NPT hub with Retaining Clip for 1/2" Knockout
Origin	Made of US and non-US parts
Wires	16", 600 V Rated
Approvals	UL Listed, UL916, C-UL, CE, RoHS
Housing Rating	UL Accepted for Use in Plenum, NEMA 1
Gold Flash	No
Override Switch	No
Contact Ratings	10 Amp General Use @ 277 Vac 1/2 HP @ 125 Vac 1 HP @ 250 Vac 1/4 HP @ 277 Vac 470 VA Pilot Duty @ 125 Vac 770 VA Pilot Duty @ 250 Vac
Power Usage	50 mA @ 240 Vac Max.

NOTES

Dry Contact Input Operation: Close Wht/Red wire to Wht/Blu wire to activate relay. Normally Open relay contact will close. If more than one CLC212 shares a single dry contact input, Wht/Blu must be common.

Order Normally Closed contact by adding "-NC" to end of model number for opposite operation. Normally Closed contact will open when Wht/Red wire is closed to Wht/Blu wire.

Switch must be Form C or N/C.

Suggested switches: Functional Devices models ACLCMAGSM or ACLCMAGDJ

NEW CONSTRUCTION APPLICATIONS

- No stepdown transformer necessary
- Operates on any device from 120 Vac to 277 Vac
- Light 18 AWG wire used to control relay, instead of armored cable, but any size may be used
- Closet light turns on when door is open
- Customer needs to purchase Form C or N/C* door switch

* A Normally Closed (N/C) door switch is closed when no outside forces are acting upon it. When used in this application, the switch is open when the door is closed, and the switch closes when the door is opened, activating the controller to turn the light on. (Door switch not provided, see notes for details.)

