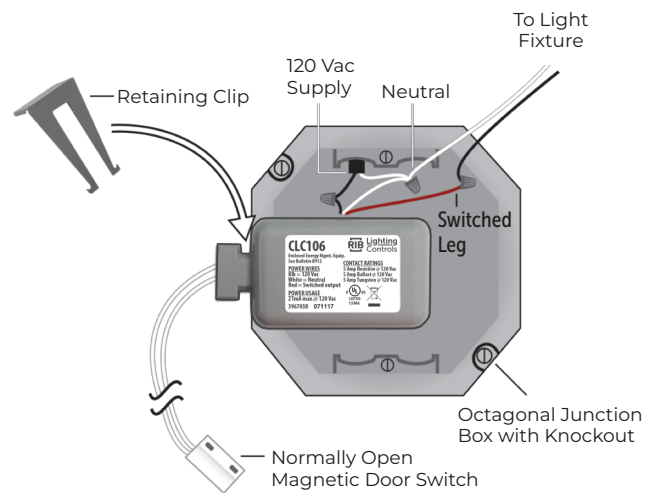


CLOSET LIGHT CONTROLLERS FOR LIGHTING IN CLOSETS, WALK-INS, & CABINETS

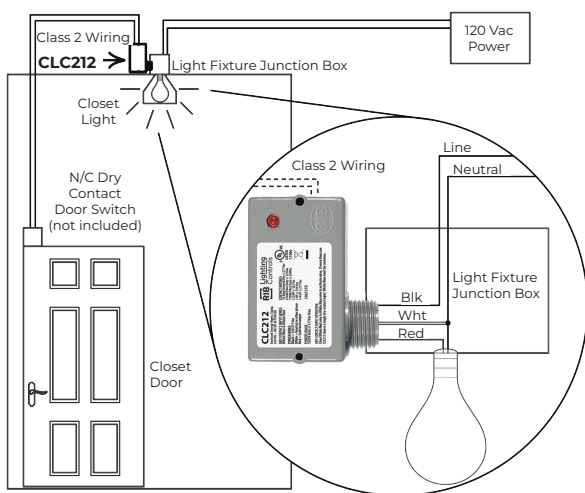
Our Light Controllers are designed to switch lighting loads on and off by the closing or opening of a variety of switches, including door jamb, magnetic, and ball switches. Models are available for retrofit and new construction jobs, with or without a delay setting.



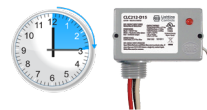
RETROFITS [CLC106]

- 5 Amp relay
- 120 Vac power
- Fits easily inside junction box
- Includes retaining clip
- Includes magnetic door jamb switch
- No transformer needed (dry contact input)

NEW CONSTRUCTION [CLC212]



15 Minute Delay
CLC212-D15



60 Minute Delay
CLC212-D60



- 10 Amp N/O relay
- 120-277 Vac power
- No transformer needed (dry contact input)
- Light 18 AWG wire used to control relay, instead of armored cable
- Available with time delay
- Switch sold separately (models **ACLCMAGSM** & **ACLCMAGDJ**)