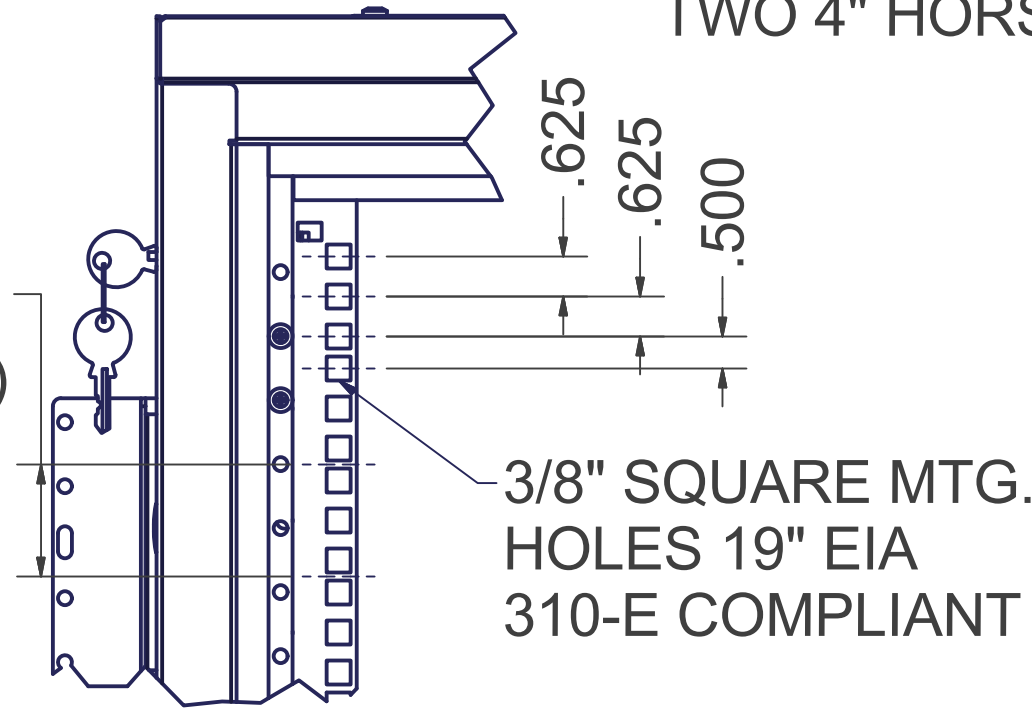
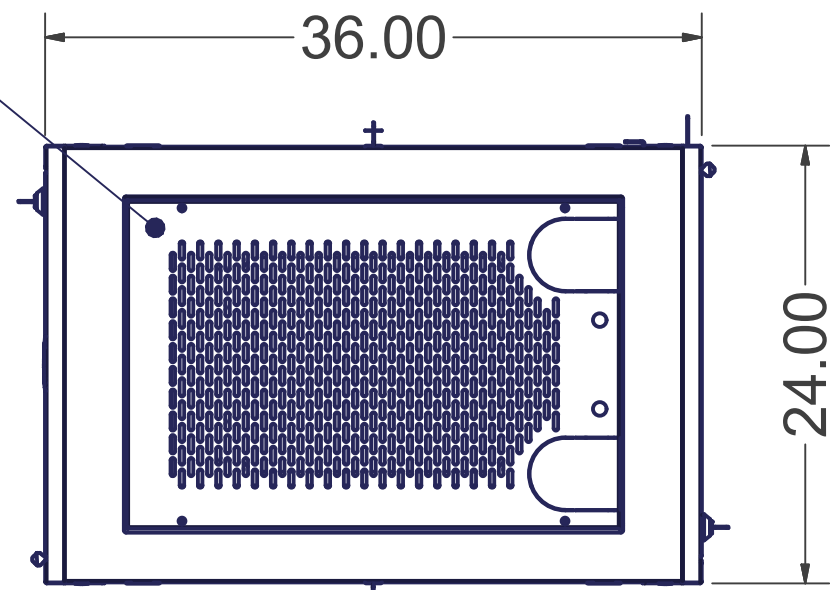


REMOVABLE VENTED TOP PANEL WITH TWO 4" HORSESHOE KNOCKOUTS

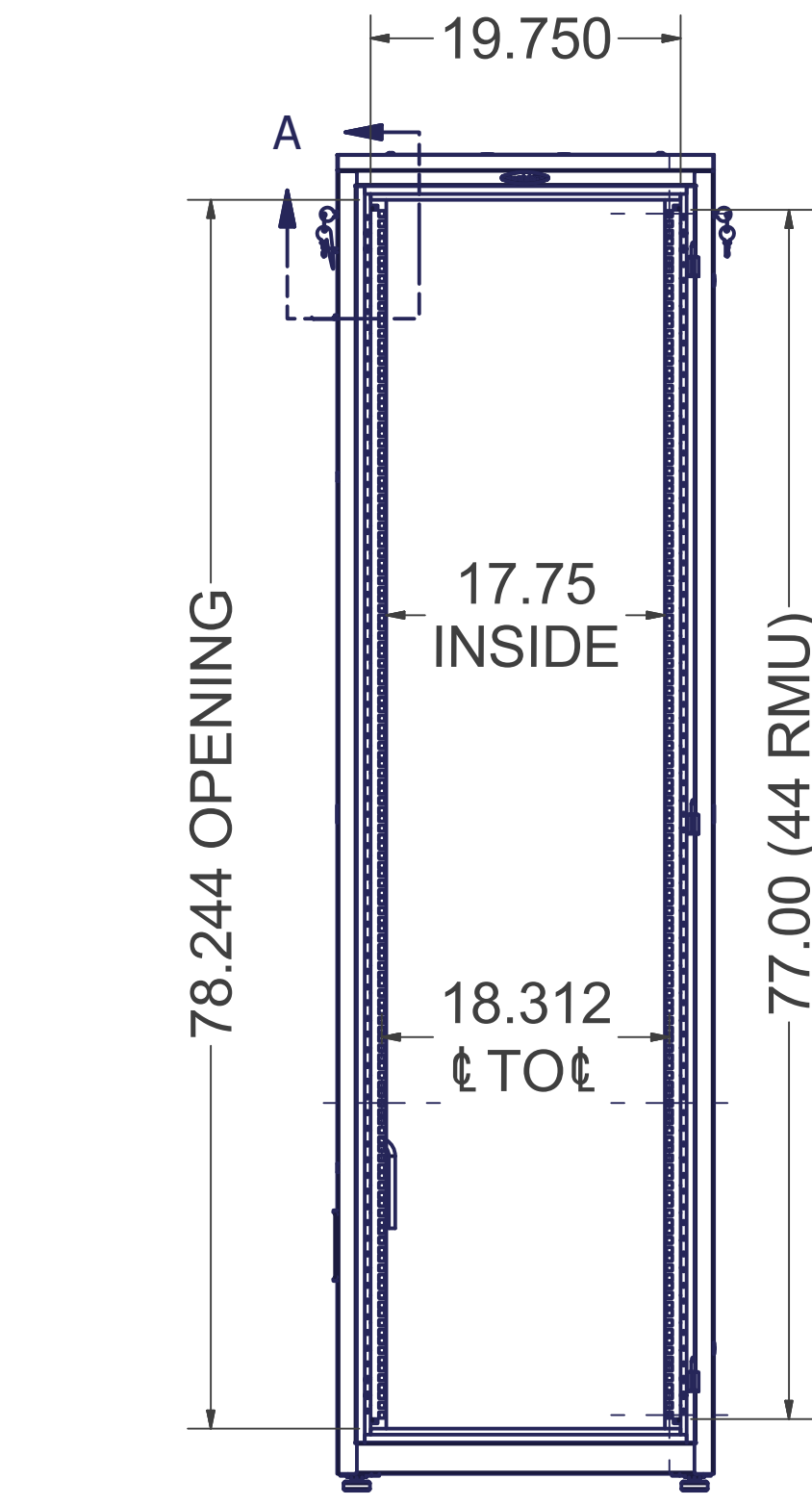
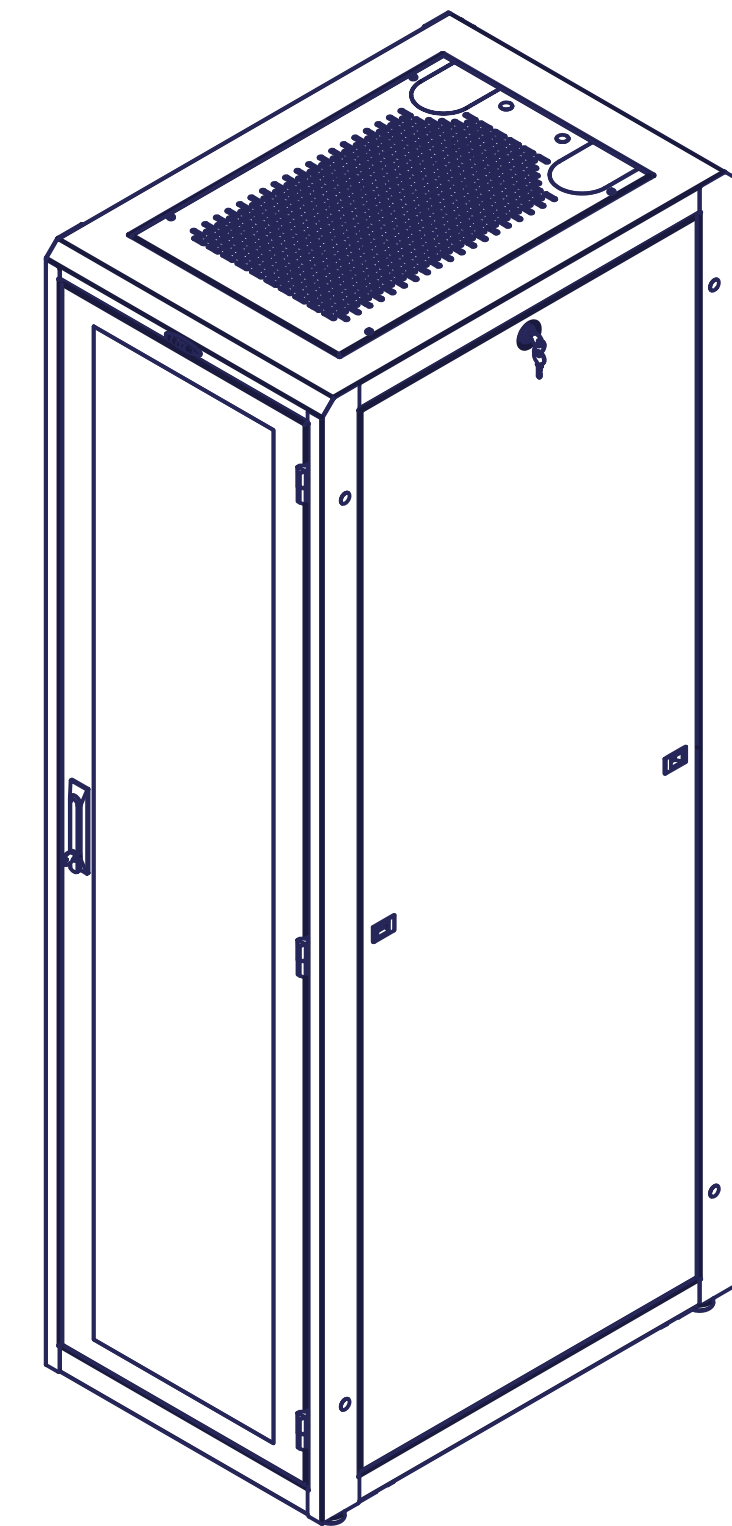
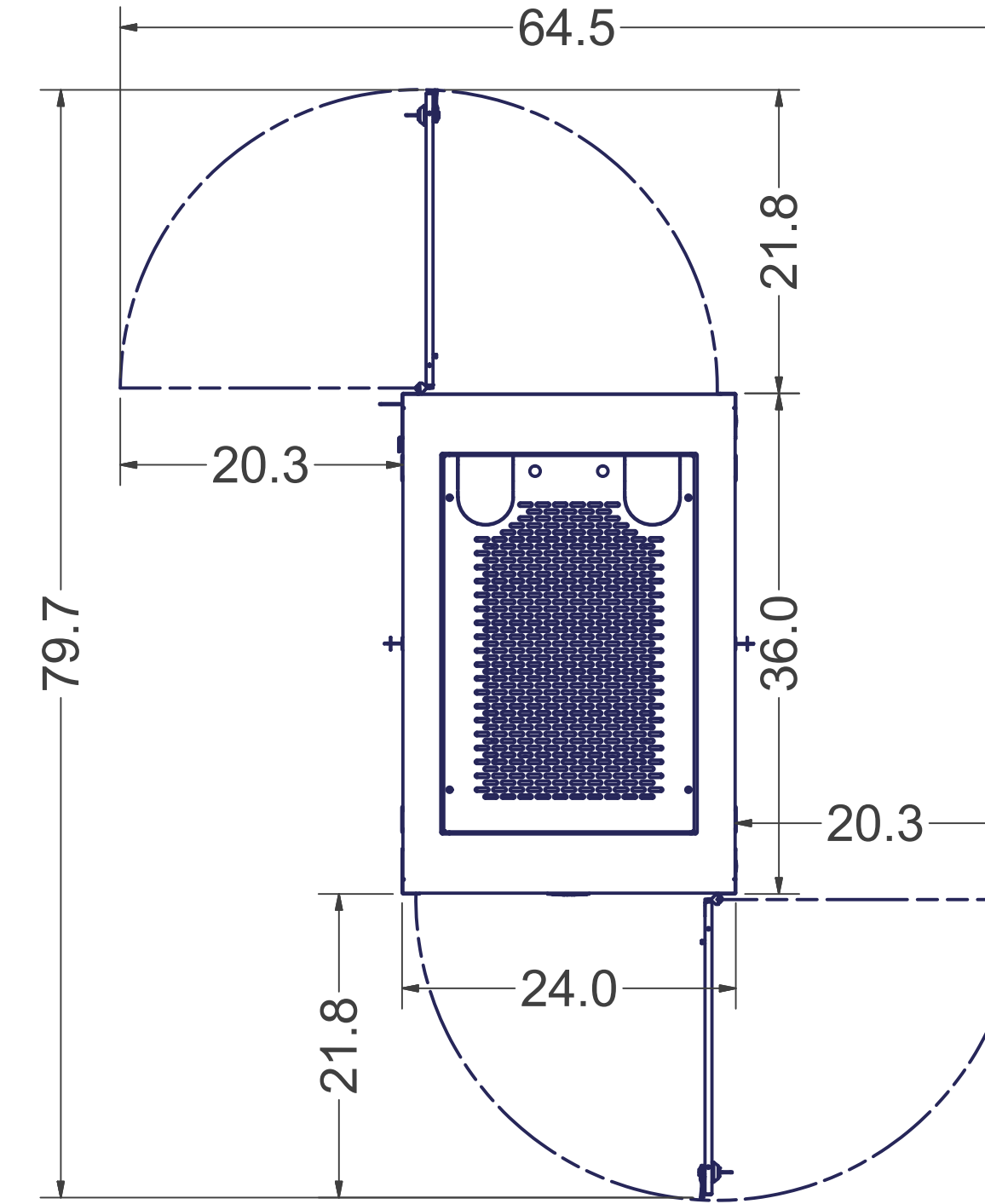
1.750 (1 RMU)
(REPEATS 44x)



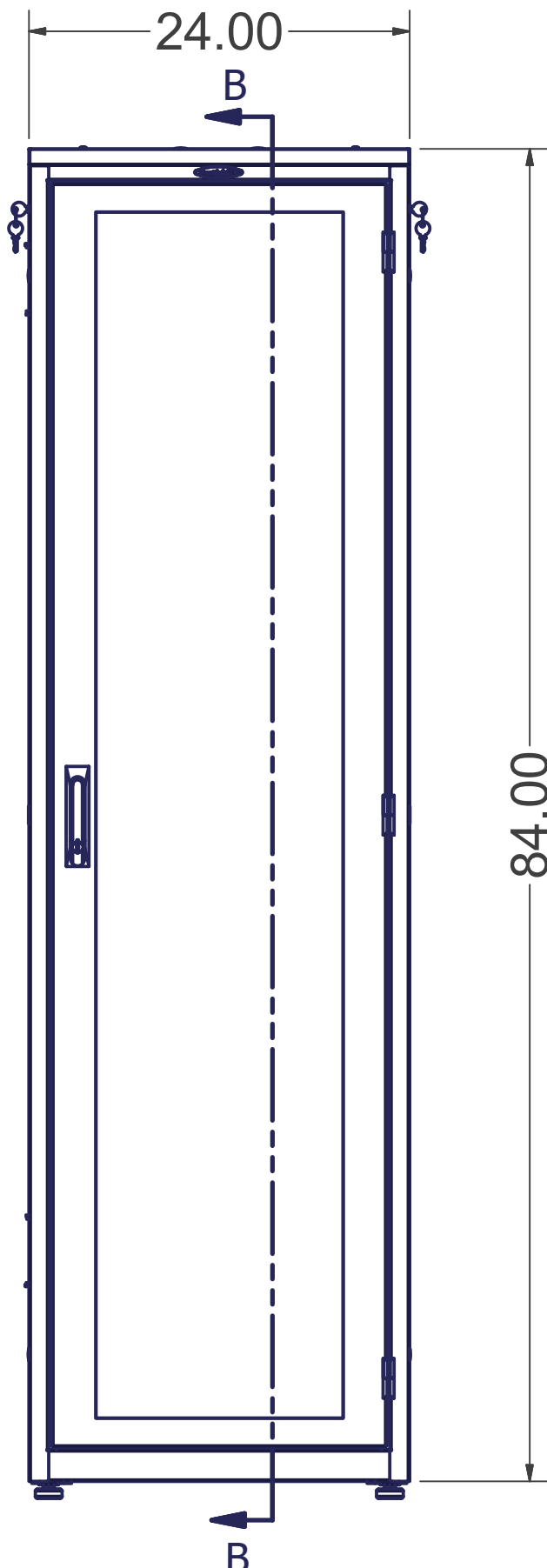
DETAIL A



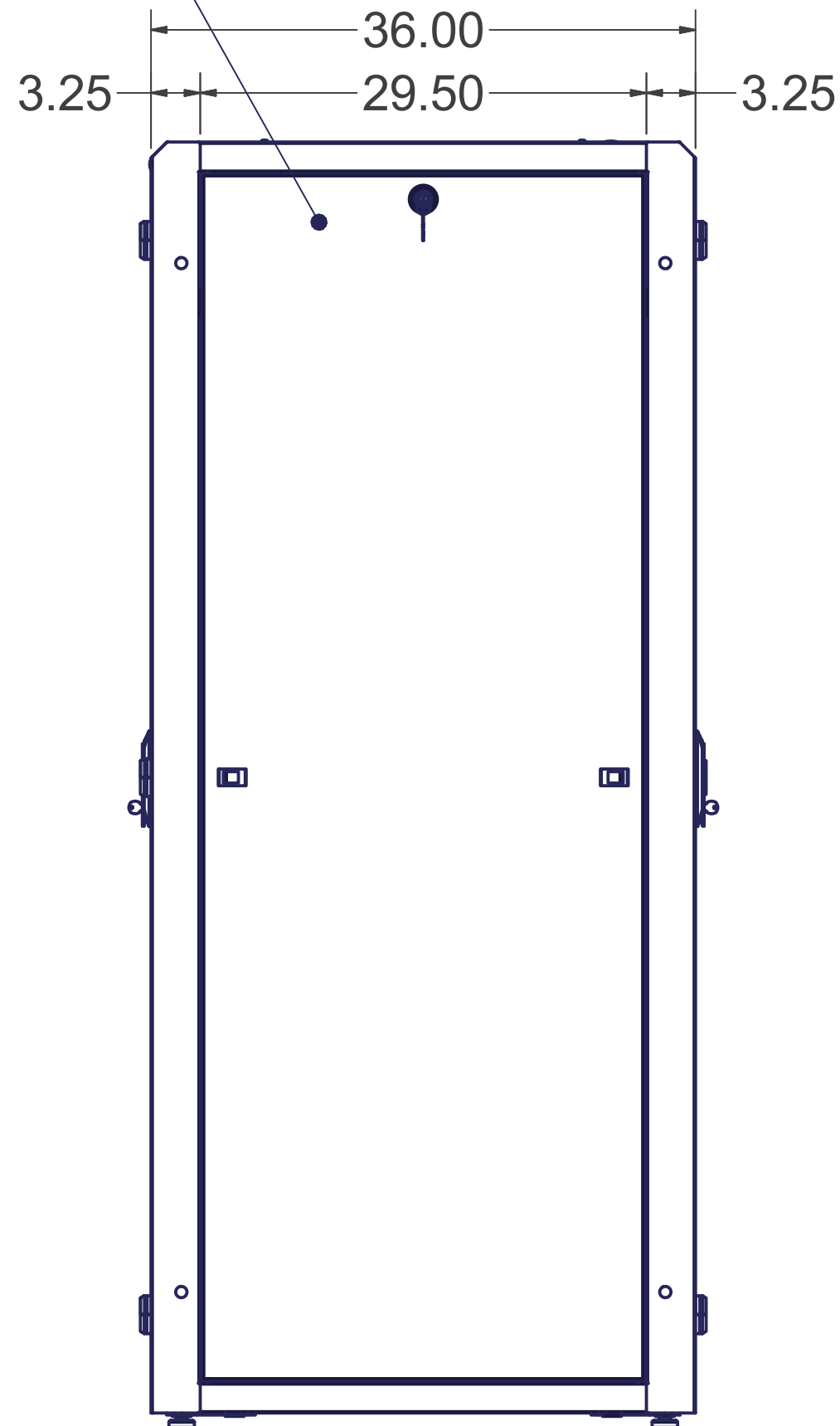
TOP VIEW



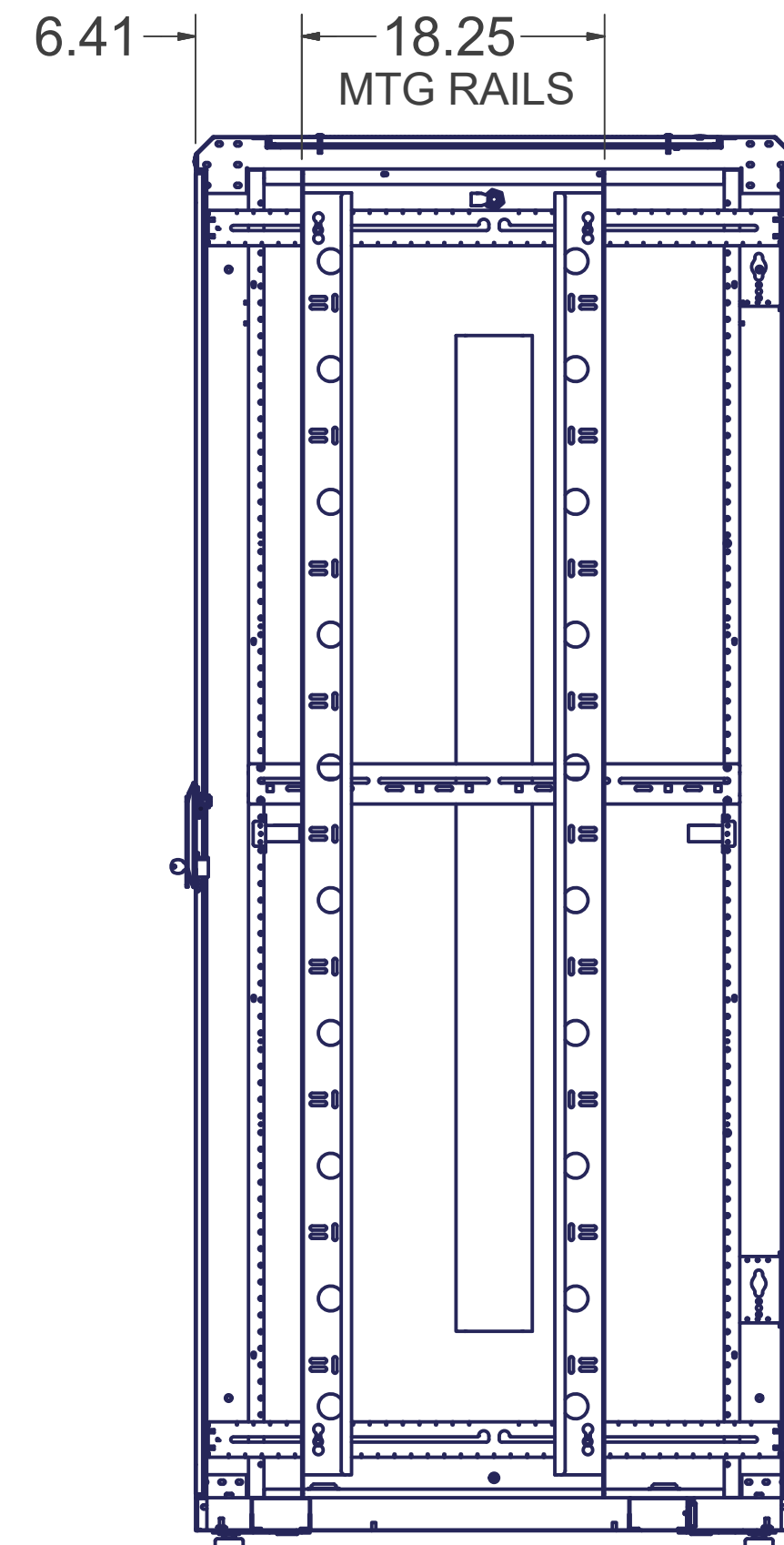
**FRONT VIEW
DOORS REMOVED**



FRONT VIEW



RIGHT SIDE VIEW



SECTION B-B

SPECIFICATIONS:

DIMENSIONS: 84"H X 24"W X 36"D

RACK SPACES: 44 RMU w/ NUMBERED RMU INDICATORS, 19" EIA 310-E COMPLIANT

WEIGHT CAPACITY: 1500 LBS.

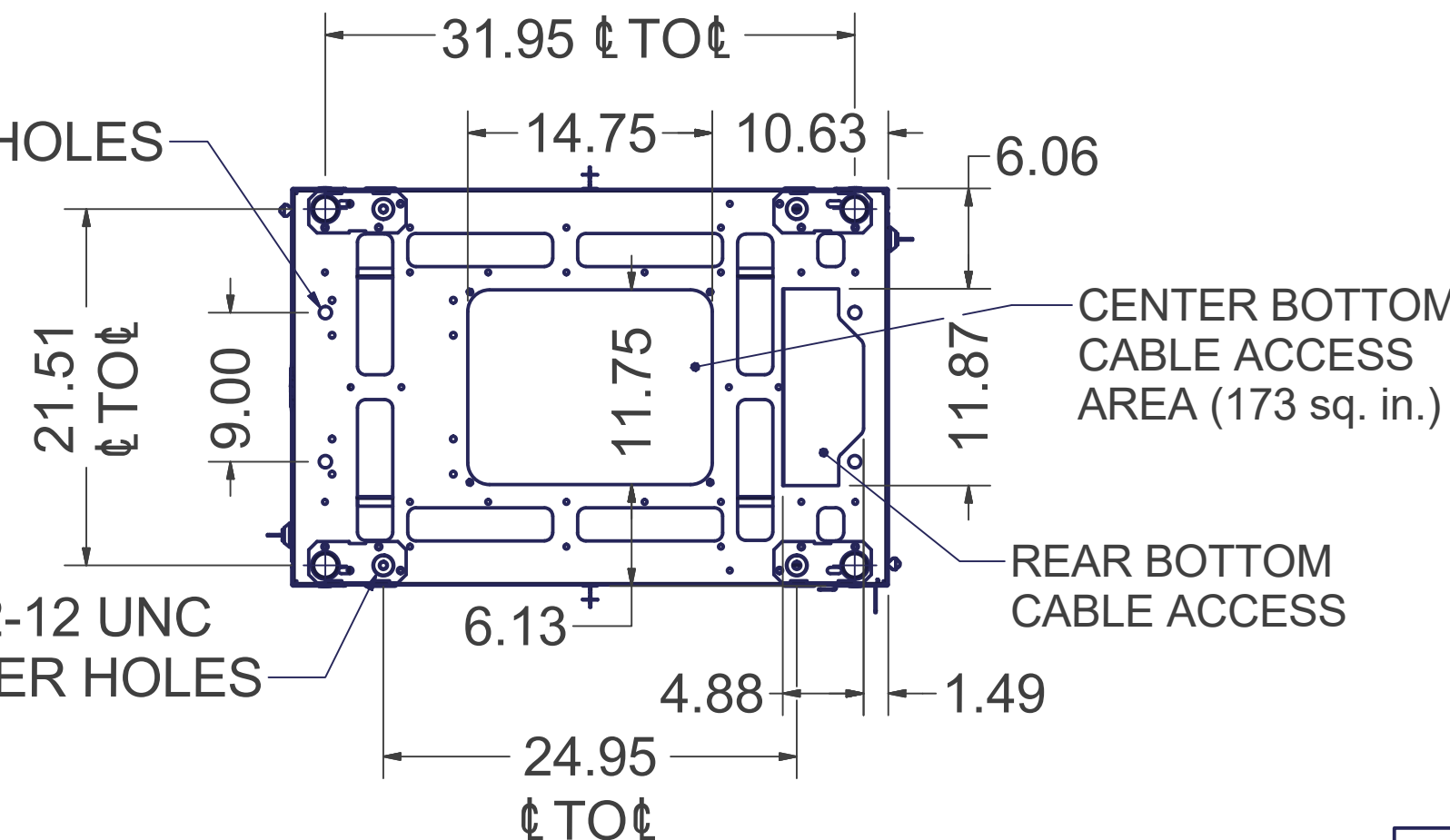
COLOR: DURABLE TEXTURE POWDER COATING

CONSTRUCTION: 2 PAIR MOUNTING RAILS, #12 GA. C.R.S.
FULLY WELDED FRAME, #16 GA. C.R.S.
DOOR, SIDE PANELS, TOP PANEL, #16 GA. C.R.S.

HARDWARE: PACKAGE OF QTY-50; M6 SCREWS AND CAGE NUTS, INCLUDED.

LEVELING GLIDES (4 INCLUDED)
1/2-13 UNC THREADED HOLES

(4) Ø0.75
ANCHOR HOLES



BOTTOM VIEW

POPULAR CONFIGURATIONS

GL840E-2436-X-xxxxMS: CABINET WITH FRONT AND REAR MESH DOORS, PAIR SOLID SIDES, SOLID TOP PANEL; REPLACE 'xxxx' WITH SQM6 OR 1032 TO DESIGNATE MOUNTING RAILS
GL840E-2436-X-xxxxMS: CABINET WITH FRONT PLEXI DOOR AND REAR PERIMETER VENTED SOLID DOOR, PAIR SOLID SIDES, PERFORATED TOP PANEL; REPLACE 'xxxx' WITH SQM6 OR 1032 TO DESIGNATE MOUNTING RAILS

ADDITIONAL CONFIGURATIONS AVAILABLE; SEE CHART TO THE LEFT

840ES-2436-X-X-X-X-X-X

OPTIONS WITH * MAY NOT BE CONFIGURABLE ON WEBSITE. CONTACT FOR MORE INFORMATION

E PART NUMBER LEGEND

COLOR	FRONT DOOR	REAR DOOR	SIDE PANEL	RAILS	TOP PANEL
B Black	0 None*	0 None*	0 None*	0 None*	0 None*
W White	6 Plexi (shown)	8 Perimeter Vented Steel	1 Single Solid	1 19" EIA 10-32 Rails	2 Fan Top
	7 Perimeter Vented Plexi	9 Solid	3 Pair Solid (shown)	5 19" M6 Cage Nuts (shown)	3 Solid Top
	A Mesh	A Mesh	4 Pair Vented		5 Perf. Top (shown)
	B Split Mesh	B Split Mesh			

COLOR
FRONT DOOR
REAR DOOR
SIDE PANEL
RAILS
TOP PANEL

INTERPRET DRAWING PER ASME Y14.5M-1994

DIMENSIONAL LIMITS APPLY AFTER APPLICATION OF FINISH
DRAWING NOT TO SCALE

TOLERANCE UNLESS OTHERWISE NOTED:
ANGULAR +/- 1'
.XXXX +/- .010
.XXX +/- .015
.XX +/- .030
.X FOR REF. ONLY

EST. WEIGHT :
N/A

THIRD ANGLE PROJECTION

UNLESS OTHERWISE SPECIFIED ALL DIMENSIONS ARE IN INCHES

NOTICE:

Use of this document is subject to a confidentiality and nondisclosure agreement with Great Lakes Data Racks & Cabinets and may not be reproduced, disclosed or utilized in whole or in part without prior written authorization from Great Lakes.

PART NUMBER:
840E-2436-X-xxxxMS/P

MATERIAL TYPE:

MATERIAL GAUGE:

FINISH:

DRAWN DATE
CDM 3/13/2012

CHECKED & APP. DATE

TITLE
84"H x 24"W x 36"D ENHANCED BASE UNIT - ASSEMBLY

GREAT LAKES DATA RACKS & CABINETS
P.O. BOX 551 EDINBORO, PA 16412
PHONE (814) 734-7303 FAX (814) 734-3907
E-MAIL info@greatcabinets.com

DWG NO:
840E-2436-X-xxxxMS/P

REV

SHEET: 1 OF 1