

DigiFact® 851/855

INSTALLATION AND OPERATING INSTRUCTIONS



DigiFact 851
Ceiling Mount (Flush)



DigiFact 855
Ceiling Mount (Surface)

DESCRIPTION

Louroe Models DigiFact 851/855 are ONVIF Profile “T” compatible, ceiling mounted IP Network 4” speaker microphones designed to provide 2-way audio (listen / talkback) with an omni-directional microphone pickup.

The units harness the value of networked audio monitoring technologies which analyze and stream bi-directional audio.

Integrating into the Louroe Microphone Application Platform (LMAP), these wide dynamic range audio devices deliver the broad frequency response that users seek, capable of sensitivity in picking up low-and-high frequency audibles.

Featuring a robust quad-core microprocessor selected to deliver “judicial” quality audio, the 851/855 are capable of running an analytical application which detects and processes sounds of a threat including:

- Pre-set decibel audible alarm
- Belligerent voice/aggressive voice signals
- Breaking glass
- Car/panic alarms
- Gunshots/explosions

FEATURES:

- ONVIF Profile “T” Compliant
- Structured cable connection
- PoE connectivity (IEEE 802.3af compliant)
- Alarm reporting via relay outputs and POST messages
- Sound decibel level threshold alarming
- Open API for ease of integration
- Manufacturer proprietary software
- Stand alone network two-way audio communication devices
- Compatible with leading ONVIF-compliant NVR’s, VMS and other monitoring solutions

SPECIFICATIONS

- LE Product Number: LE-851
- Mounting: Surface
- Installations: Indoor

SPECIFICATIONS (Microphone)

- Pick Up Pattern: Omni-directional, within 15' diameter circle
- Type: Electret condenser
- Sensitivity: -45 dBV/Pa 1 Pa = 94 dB SPL
- Frequency Response: 40 Hz to 15 kHz
- Output: RTSP stream {Line level 0 dBV,600Ω @ 1 kHz}
- Current Drain: 1.5 A @ 5VDC
- Supply Voltage: PoE IEEE802.3af OR 12vdc 1A

SPECIFICATIONS (Speaker)

- Speaker Output Power: 2.5W @ 8 Ω
- Input: RTSP stream {Line level 0 dBV,600Ω @ 1 KHz}
- Frequency Response: 300 Hz - 400 kHz
- Speaker Magnet: Neodymium
- Speaker Size: 4.0"

NETWORK AUDIO

- Audio Streaming: Two way (half and full duplex)
- Audio Compression: PCM, G.711 a-Law, G.711 mu-Law, G.726-40, AAC
- Supported Protocols: ONVIF Profile T, IPv4, HTTPS, RTSP, RTP, TCP, SSH
- Application Prog Interface: Open API for software integration
- Audio Analysis and Classification: Decibel level threshold, Gunshots, Aggression, Car Alarm, Broken Glass
- Event Triggers: Audio analytics, audio level
- Event Actions: HTTP Post, TCP notification, external output activation, pre and post-alarm audio recording

HOUSING

- Material: Steel
- Weight: 2.1 lbs
- Dimensions:
- Grill: 127/8" dia
- Backbox: 123/8" dia x 3" H

COMPATABILITY

- ONVIF Profile "T"

UL Pending

SPECIFICATIONS

- LE Product Number: LE-855
- Mounting: Surface Ceiling
- Installations: Indoor

COMPATABILITY

- ONVIF Profile "T"

SPECIFICATIONS (Microphone)

- Pick Up Pattern: Omni-directional, within 15' diameter circle
- Type: Electret condenser
- Sensitivity: -45 dBV/Pa 1 Pa = 94 dB SPL
- Frequency Response: 40 Hz to 15 kHz
- Output: RTSP stream {Line level 0 dBV,600Ω @ 1 kHz}
- Current Drain: 1.5 A @ 5VDC
- Supply Voltage: PoE IEEE802.3af OR 12vdc 1A

SPECIFICATIONS (Speaker)

- Speaker Output Power: 2.5W @ 8 Ω
- Input: RTSP stream {Line level 0 dBV,600Ω @ 1 KHz}
- Frequency Response: 300 Hz - 400 kHz
- Speaker Magnet: Neodymium
- Speaker Size: 4.0"

NETWORK AUDIO

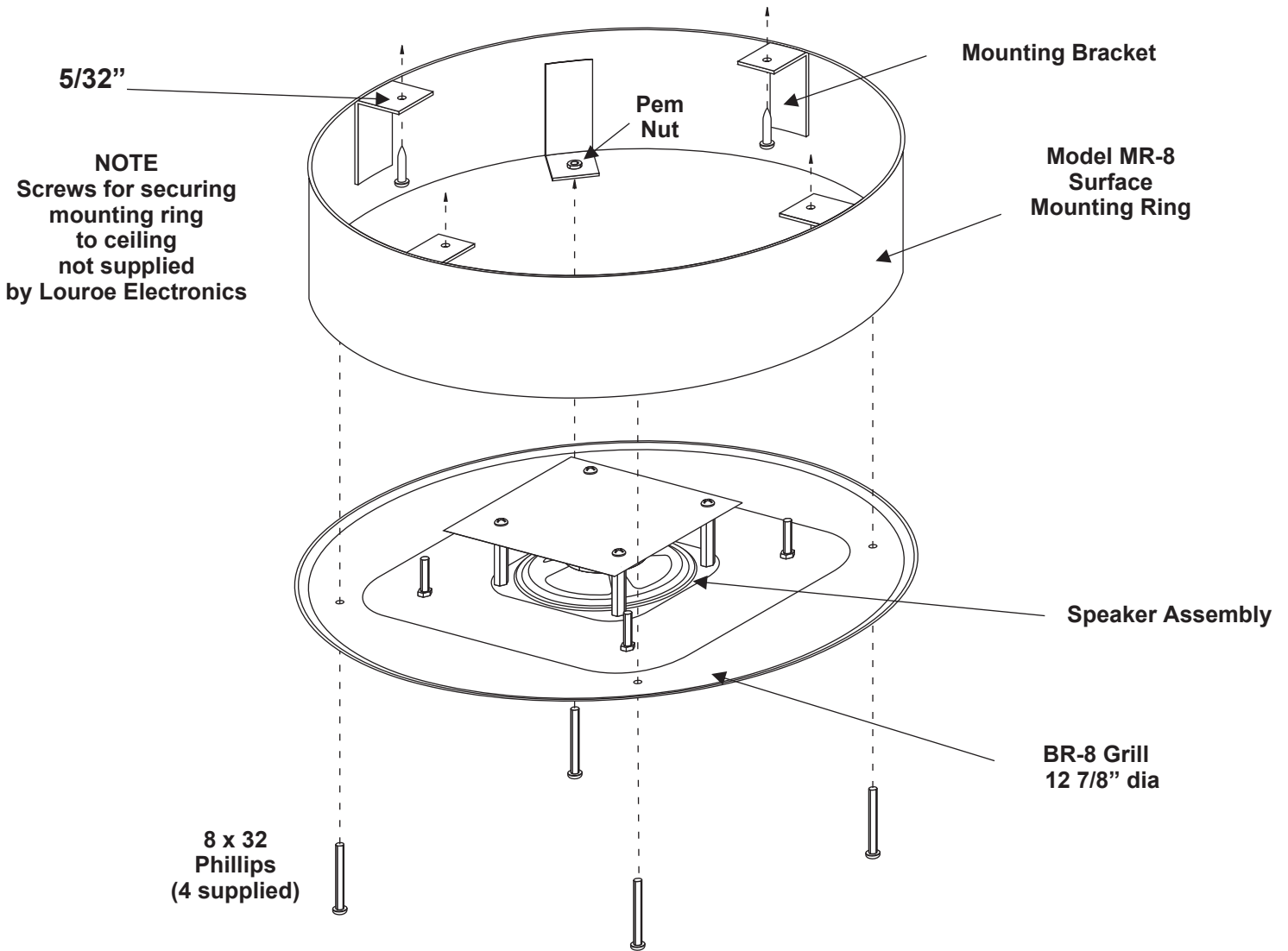
- Audio Streaming: Two way (half and full duplex)
- Audio Compression: PCM, G.711 a-Law, G.711 mu-Law, G.726-40, AAC
- Supported Protocols: ONVIF Profile T, IPv4, HTTPS, RTSP, RTP, TCP, SSH
- Application Prog Interface: Open API for software integration
- Audio Analysis and Classification: Decibel level threshold, Gunshots, Aggression, Car Alarm, Broken Glass
- Event Triggers: Audio analytics, audio level
- Event Actions: HTTP Post, TCP notification, external output activation, pre and post-alarm audio recording

HOUSING

- Material: Steel
- Weight: 2.1 lbs
- Dimensions:
- Faceplate: 127/8" dia
- Backbox: 123/8" dia x 3" H

UL Pending

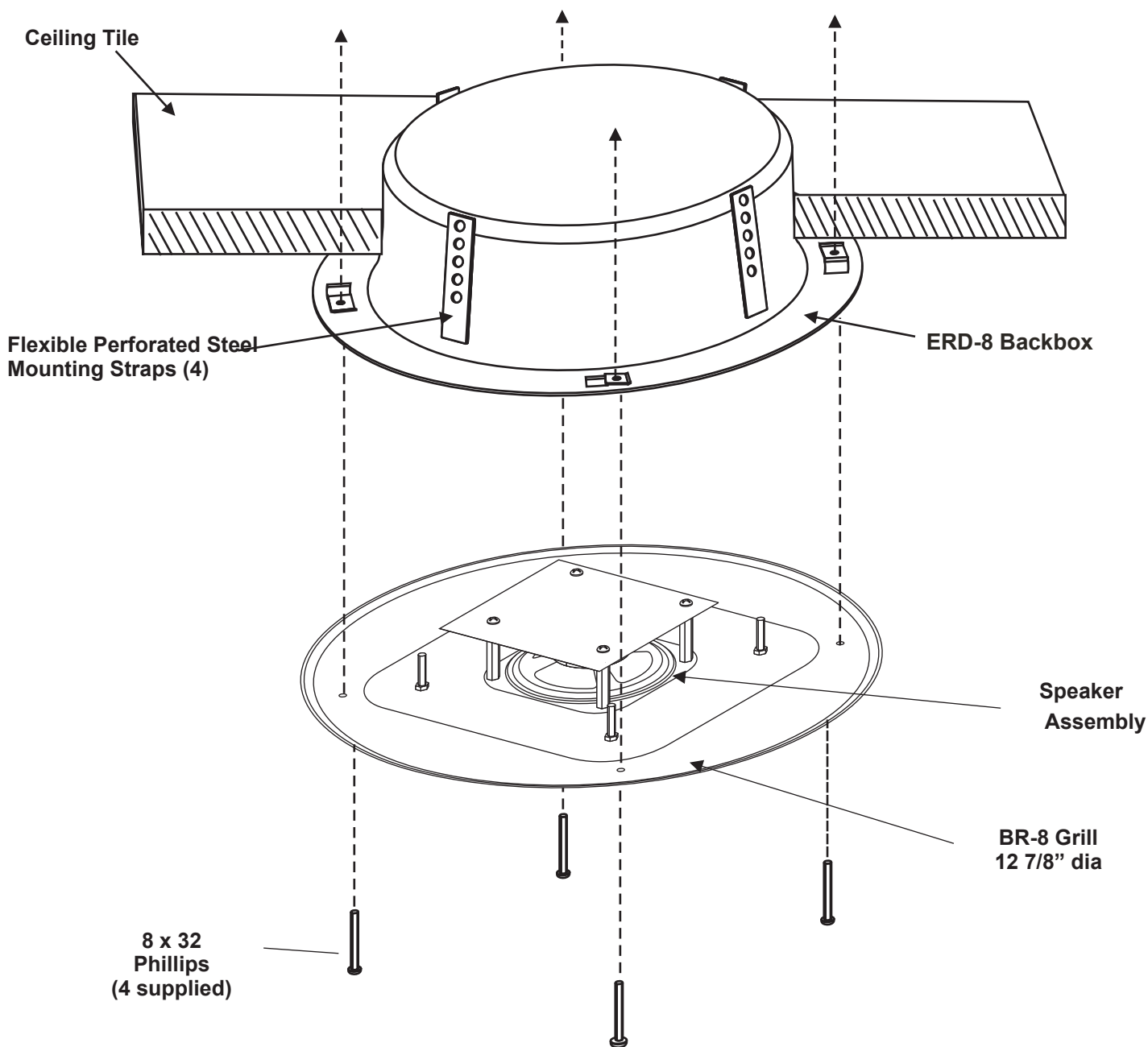
**MOUNTING ASSEMBLY FOR
LOUROE MODEL DIGIFACT 855 SPEAKERPHONE
CEILING MOUNT - SURFACE**



Installation Steps

- ❶ First make electrical connections to speakerphone 4-pin terminal block
- ❷ Install mounting ring to ceiling
- ❸ Mount grill to mounting ring

**MOUNTING ASSEMBLY FOR
LOUROE MODEL DIGIFACT 851 SPEAKERPHONE
CEILING MOUNT - SURFACE**



MANUFACTURED
IN THE



WARRANTY

LOUROE ELECTRONICS warrants that at the time of shipment products manufactured by LOUROE ELECTRONICS to be free of defects in material and workmanship.

Should a defect appear within two years (24 months) from date of shipment, LOUROE ELECTRONICS will, at its sole discretion, repair or replace the defective equipment.

This equipment shall not be accepted for repair or return without prior notification by LOUROE ELECTRONICS .

This warranty does not extend to any Louroe product that has been subjected to improper or incorrect installation, misuse, accident, or in violation of installation instructions provided by LOUROE ELECTRONICS.

Returned shipments to LOUROE ELECTRONICS shall be at customer's expense. LOUROE ELECTRONICS will return the equipment prepaid via best way.

IMPORTANT NOTICE

When this equipment is used as part of an audio monitoring system, the law requires that the public be given notice of AUDIO MONITORING ON THE PREMISES. A decal notice is included with each microphone shipped



Federal Law References:
Federal Regulations, US Code, Title 18. Crime and Criminal Procedure, Sec 2510.