

INSTALLATION INSTRUCTIONS

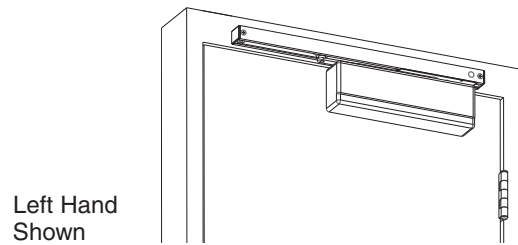
351 EHT Electromechanical Closer-Holder Device – Pull Side

SARGENT®

ASSA ABLOY

CAUTION: FAILURE TO INSTALL OR ADJUST PROPERLY MAY RESULT IN INJURY OR DAMAGE.
FOR ASSISTANCE CONTACT SARGENT AT 800-810-WIRE (9473) or www.sargentlock.com

NOTE: AN AUXILIARY DOOR STOP IS REQUIRED AT HOLD OPEN

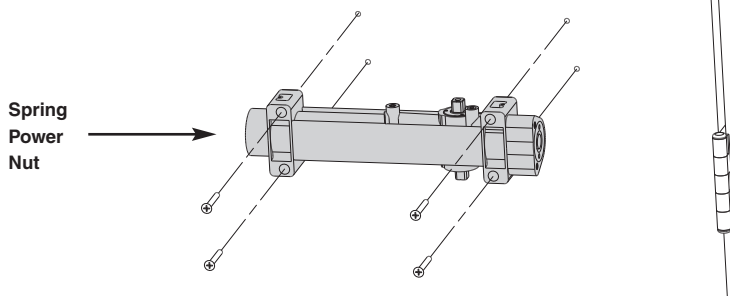


⚠ CAUTION:

1. DISCONNECT ALL POWER BEFORE INSTALLATION
2. ALL WIRING TO BE PERFORMED BY QUALIFIED PERSONNEL TO COMPLY WITH ALL APPLICABLE LOCAL CODES.
3. MAXIMUM WIRE SIZE IS 18 AWG.

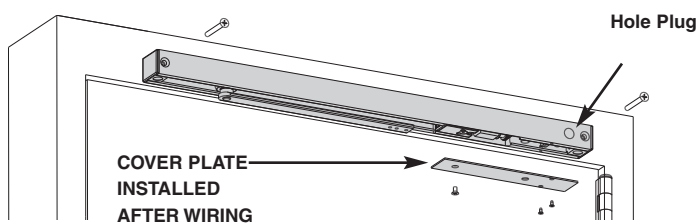
1 Use template from page 3; drill and tap door and frame for 12-24 machine screws, and prepare hole for conduit. **Do not drill through channel, as damage will occur voiding warranty.**

2 Install closer body to door with spring power nut away from hinge.

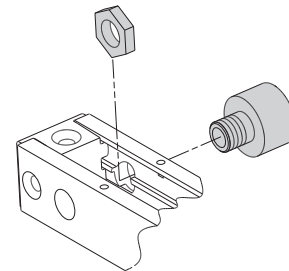


351 closers are non-handed, RH must be on top for right hand doors and LH must be on top for left hand doors.

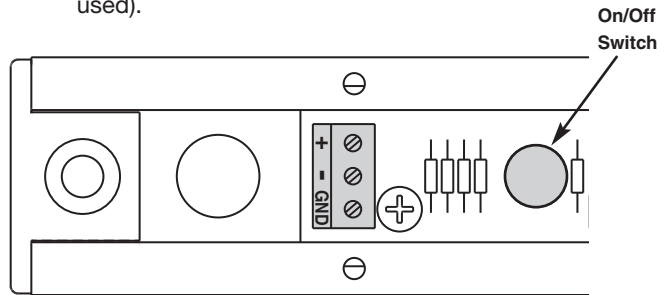
4 Secure track to frame with electronics toward hinge with screws provided. Install hole plugs into exposed holes in track.



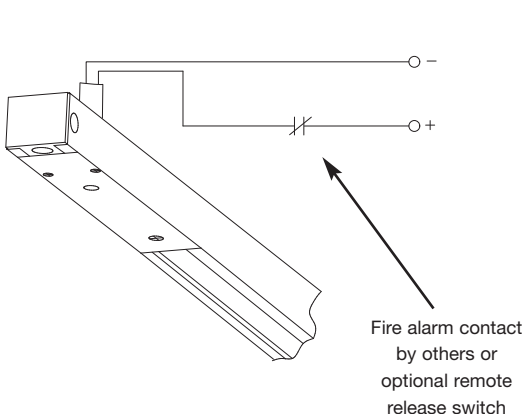
3 Attach conduit adapter to track with nut provided. Secure cable or conduit (by others) per local codes.



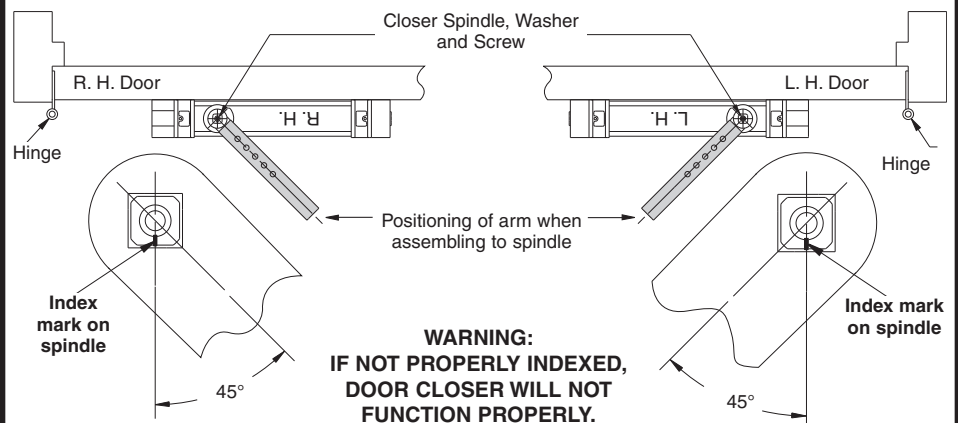
5 Connect 24VDC/VAC to terminal block marked “+”, “-” and “GND” (if applicable). (NOTE: GND used if AC is used).



6 Wire through fire alarm contact OR Optional “Remote Release” switch is used.



7 Use screw and washer to secure main arm to spindle with index mark as shown.



ASSA ABLOY, the global leader in door opening solutions

Copyright © 2009, Sargent Manufacturing Company, an ASSA ABLOY Group company. All rights reserved. Reproduction in whole or in part without the express written permission of Sargent Manufacturing Company is prohibited.

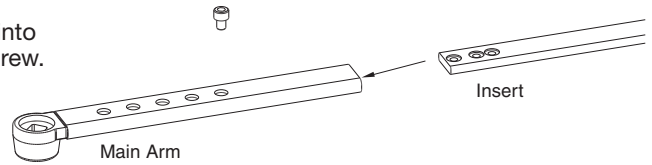
A7655A

1

8

Adjust hold open angle by adjusting arm length:

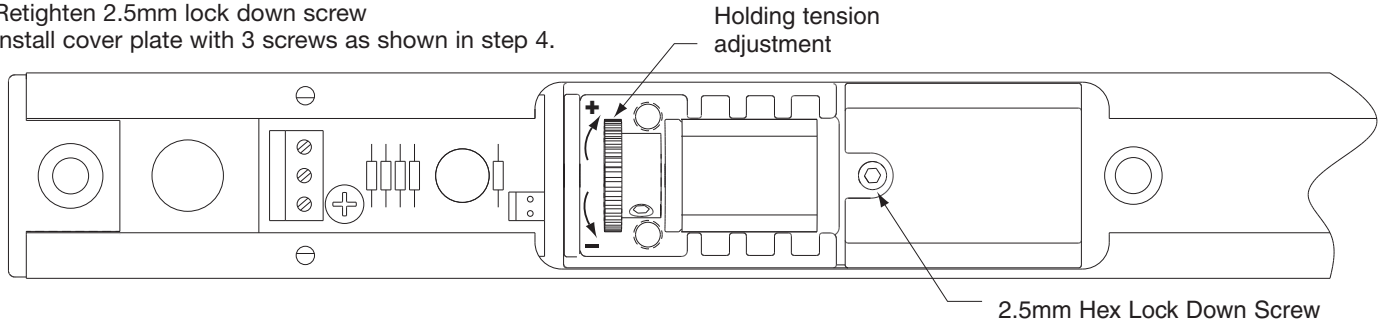
Range of 85° to 115° is obtainable. Open door and slide insert into main arm for desired hold open. Secure arms with 9/64" hex screw.



Final Adjustment and Regulating Procedures

To adjust holding tension:

- Loosen 2.5mm lock down screw
- Turn knob for desired tension
- Retighten 2.5mm lock down screw
- Install cover plate with 3 screws as shown in step 4.



Closing and latching speeds:

Turn valves clockwise to slow down or counterclockwise to speed up door movement.

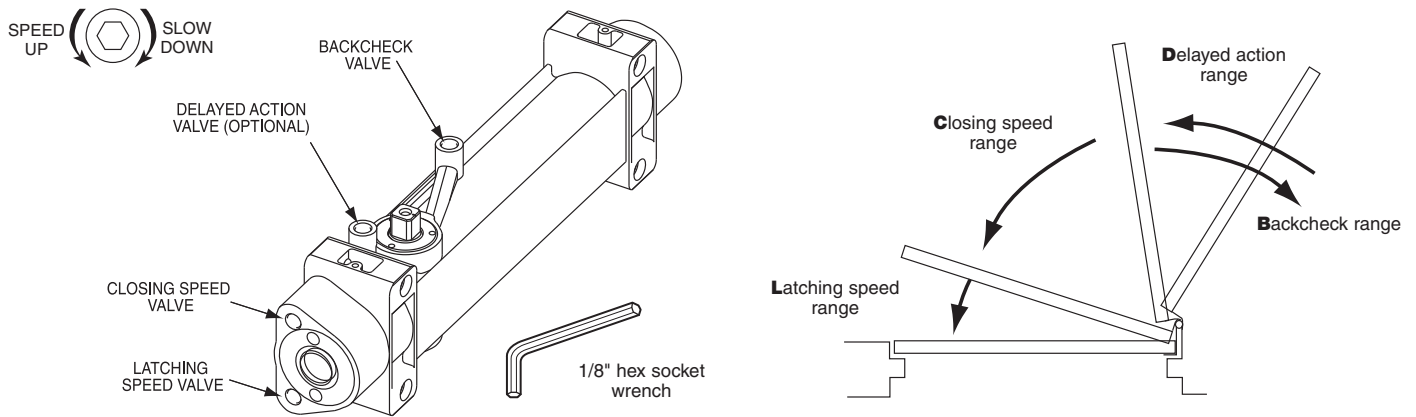
Backcheck:

Turn valve clockwise to increase or counterclockwise to decrease.

CAUTION: SET VALVE FOR SLIGHT CUSHIONING EFFECT; CLOSER CAN BE DAMAGED IF THE CHECKING ACTION IS TOO ABRUPT. NEVER USE THE BACKCHECK AS A DOOR STOP. ALWAYS USE A DOOR STOP TO STOP THE DOOR.

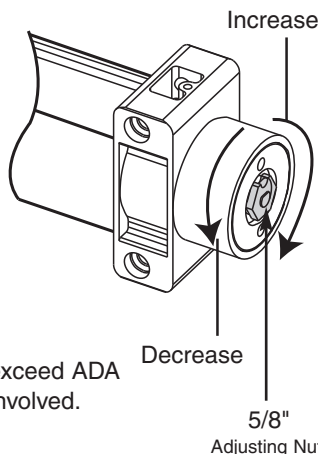
Delayed action feature (optional feature):

When provided, turn valve clockwise to slow down or counterclockwise to speed up door movement.

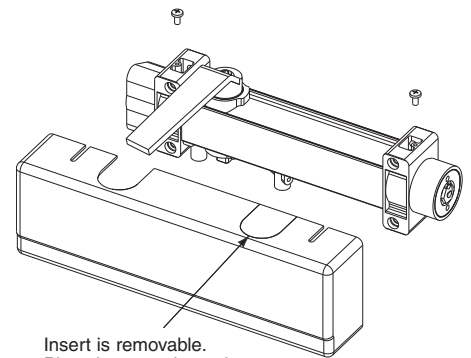


Adjust power to allow door to close and latch.

Number of Turns of Spring Power Adjusting Nut		
Door Width (Inches)	Exterior Doors	Interior Doors
24-30	TURN nut 1-3 ↶	TURN nut 1-3 ↶
30-36	FACTORY SET	FACTORY SET
36-42	TURN nut 1-4 ↷	TURN nut 1-3 ↷
42-48	TURN nut 7-9 ↷	TURN nut 4-6 ↷



Install cover as shown.



Insert is removable. Place in unused opening.

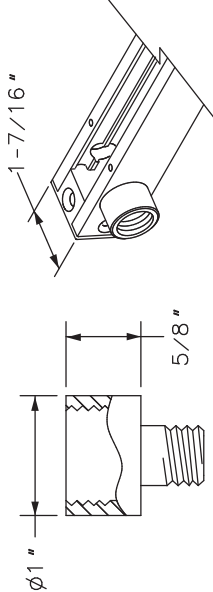
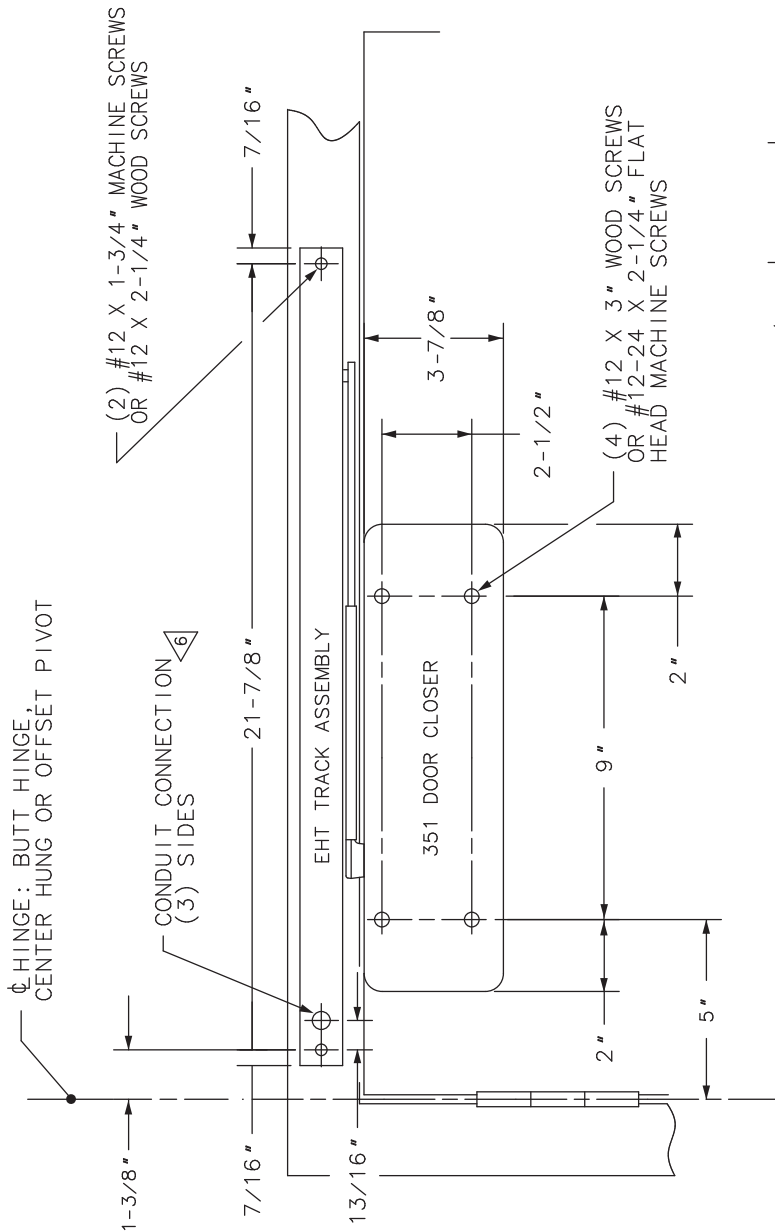
Adjusting door to close due to high draft conditions may exceed ADA standards. Consult local ordinances when fire doors are involved.

SARGENT
ASSA ABLOY

ASSA ABLOY, the global leader in door opening solutions

Copyright © 2009, Sargent Manufacturing Company, an ASSA ABLOY Group company. All rights reserved. Reproduction in whole or in part without the express written permission of Sargent Manufacturing Company is prohibited.

A7655A



CONDUIT ADAPTER
(SHOWN INSTALLED ON SIDE OF CHANNEL)

- NOTES**
1. REINFORCE METAL DOORS AND FRAMES PER ANSI A250.8 & SDI-100, 12 GAUGE RECOMMENDED.
 2. RIGHT HAND DOOR SHOWN, LEFT HAND OPPOSITE.
 3. ADJUST HOLD OPEN ANGLE FROM 85° TO 115° BY CHANGING ARM LENGTH.
 4. FOR NARROW RAIL DOORS (WIDER THAN 2-1/4"), USE 351-A DROP PLATE, SEE TEMPLATE A6772.
 5. AUXILIARY STOP REQUIRED.
 6. (3) HOLES ARE PROVIDED FOR THE CONDUIT CONNECTION. AN ADAPTER IS INCLUDED THAT ACCEPTS STANDARD 1/2" THREADED CONDUIT.

SARGENT ® Manufacturing Company 100 Sargent Drive New Haven, CT 06511	
DATA SHEET:	EFFECTIVE DATE
351EHT PULL SIDE APPLICATION	JUNE 03
	TEMPLATE NO.
	A7636 A

INSTALLATION INSTRUCTIONS

351 EHT Electromechanical Closer-Holder Device – Push Side

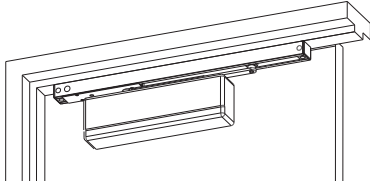
SARGENT®

ASSA ABLOY

CAUTION: FAILURE TO INSTALL OR ADJUST PROPERLY MAY RESULT IN INJURY OR DAMAGE.
FOR ASSISTANCE CONTACT SARGENT AT 800-810-WIRE (9473) or www.sargentlock.com

NOTE: AN AUXILIARY DOOR STOP IS REQUIRED AT HOLD OPEN

Left Hand
Shown



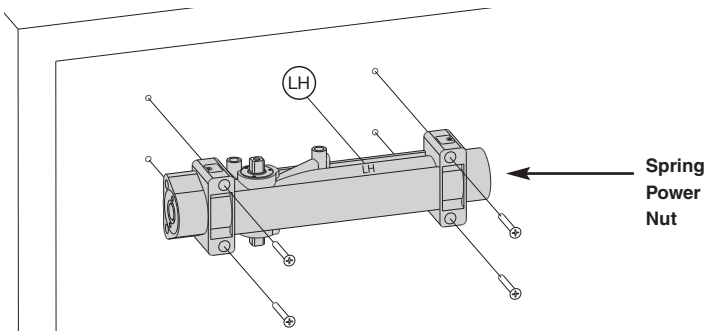
⚠ CAUTION:

1. DISCONNECT ALL POWER BEFORE INSTALLATION
2. ALL WIRING TO BE PERFORMED BY QUALIFIED PERSONNEL TO COMPLY WITH ALL APPLICABLE LOCAL CODES.
3. MAXIMUM WIRE SIZE IS 18 AWG.

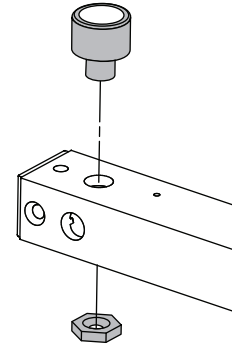
1 Use template from page 6 and drill and tap door and frame for 12-24 machine screws. Prepare hole for conduit. **Do not drill through channel, as damage will occur voiding warranty.**

2 Install closer body to door with spring power nut away from hinge.

3 Attach conduit adapter to track with nut provided. Secure cable or conduit (by others) per local codes.

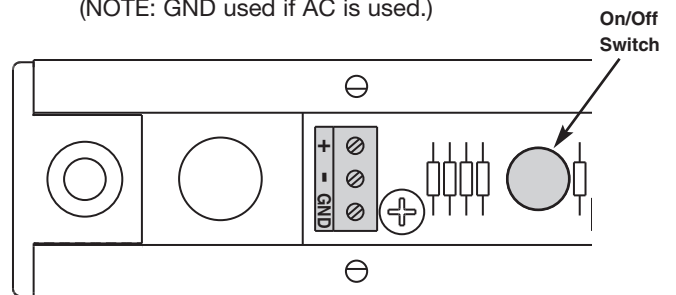
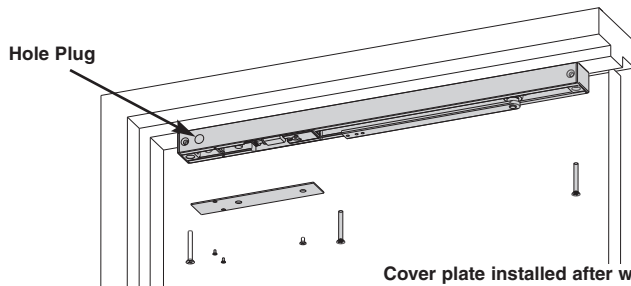


351 closers are non-handed, RH must be on top for right hand doors, and LH must be on top for left hand doors.



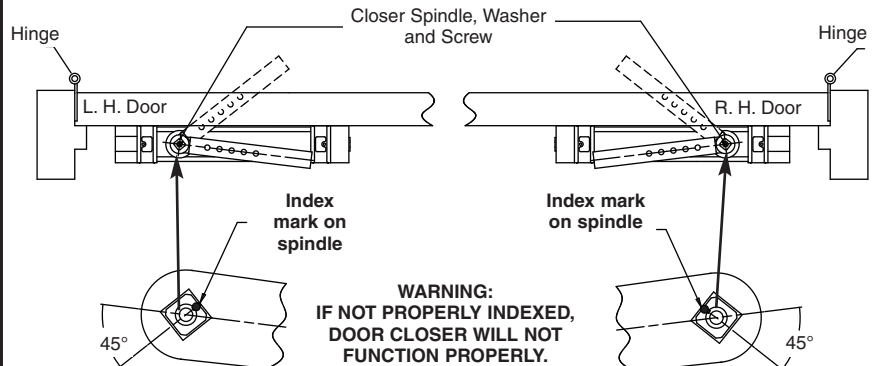
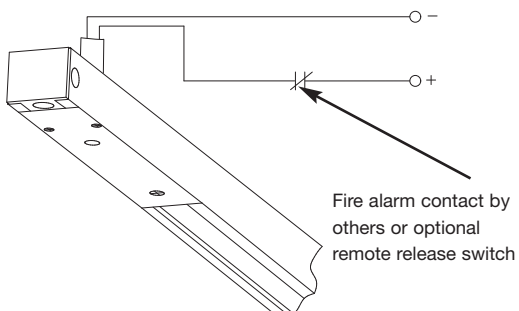
4 Secure track to frame with electronics toward hinge with screws provided. Install hole plugs into exposed holes in track.

5 Connect 24VDC/VAC to terminal block marked "+", "-", and "GND" (if applicable). (NOTE: GND used if AC is used.)



6 Wire through fire alarm contact OR optional "Remote Release" switch if used.

7 Rotate bottom spindle 45° with wrench. Use screw and washer to secure main arm to top spindle with index mark as shown.



ASSA ABLOY, the global leader
in door opening solutions

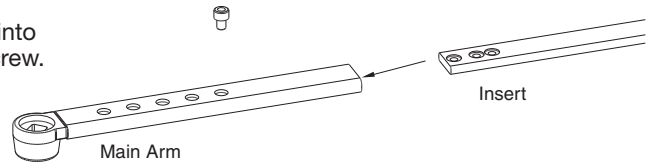
Copyright © 2009, Sargent Manufacturing Company, an ASSA ABLOY Group company. All rights reserved. Reproduction in whole or in part without the express written permission of Sargent Manufacturing Company is prohibited.

A7655A

8

Adjust hold open angle by adjusting arm length:

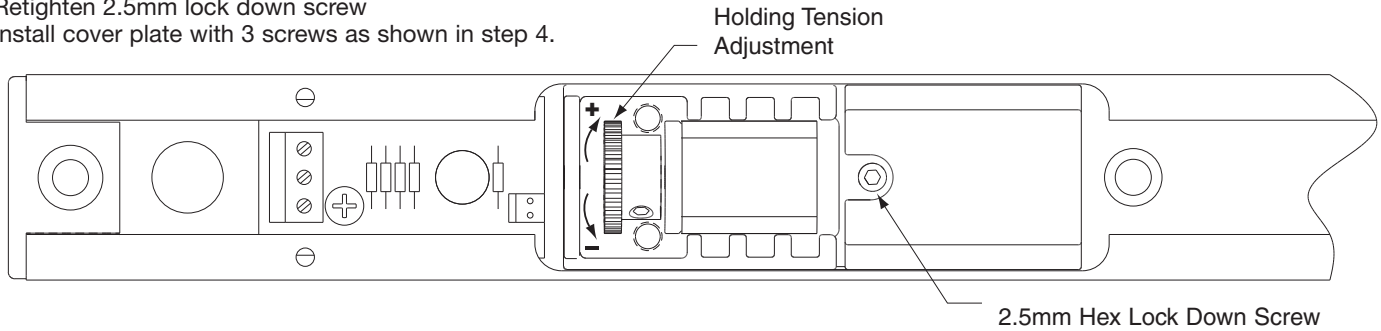
Range of 85° to 110° is obtainable. Open door and slide insert into main arm for desired hold open. Secure arms with 9/64" hex screw.



Final Adjustment and Regulating Procedures

To adjust holding tension:

- Loosen 2.5mm lock down screw
- Turn knob for desired tension
- Retighten 2.5mm lock down screw
- Install cover plate with 3 screws as shown in step 4.



Closing and latching speeds:

Turn valves clockwise to slow down or counterclockwise to speed up door movement.

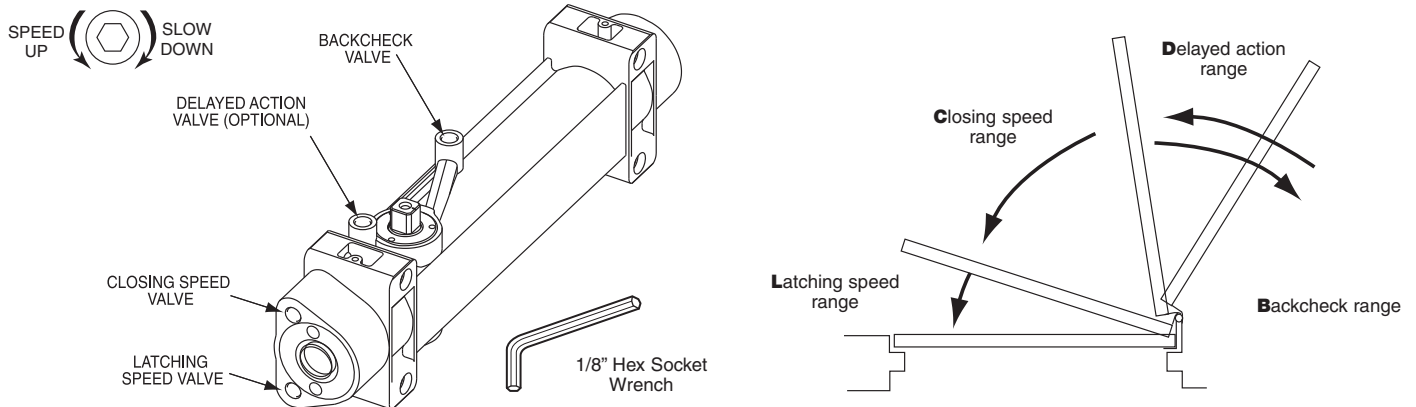
Backcheck:

Turn valve clockwise to increase or counterclockwise to decrease.

CAUTION: SET VALVE FOR SLIGHT CUSHIONING EFFECT; CLOSER CAN BE DAMAGED IF THE CHECKING ACTION IS TOO ABRUPT. NEVER USE THE BACKCHECK AS A DOOR STOP. ALWAYS USE A DOOR STOP TO STOP THE DOOR.

Delayed action feature (optional feature):

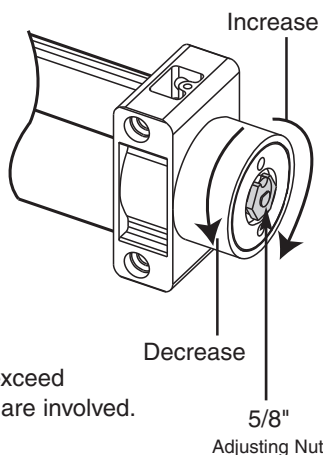
When provided, turn valve clockwise to slow down or counterclockwise to speed up door movement.



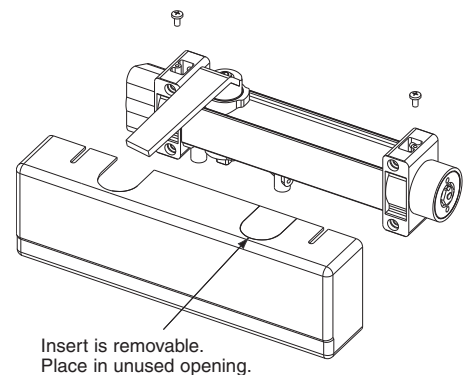
Adjust power to allow door to close and latch.

Number of Turns of Spring Power Adjusting Nut		
Door Width (Inches)	Exterior Doors	Interior Doors
24-30	TURN nut 1-3 ↶	TURN nut 1-3 ↶
30-36	FACTORY SET	FACTORY SET
36-42	TURN nut 1-4 ↷	TURN nut 1-3 ↷
42-48	TURN nut 7-9 ↷	TURN nut 4-6 ↷

Adjusting door to close due to high draft conditions may exceed ADA standards. Consult local ordinances when fire doors are involved.



Install cover as shown.



Insert is removable. Place in unused opening.

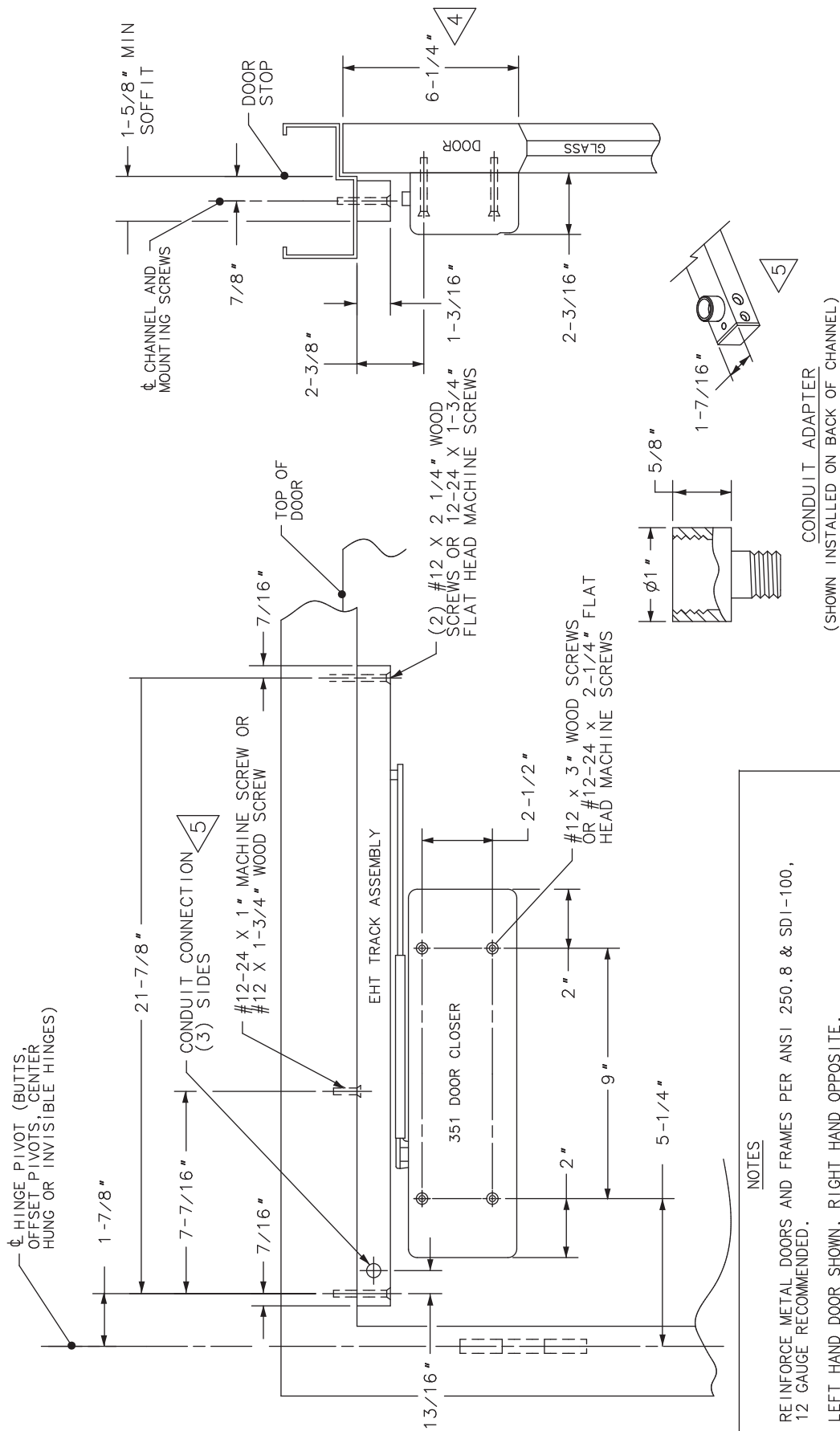
SARGENT®

ASSA ABLOY

ASSA ABLOY, the global leader in door opening solutions

Copyright © 2009, Sargent Manufacturing Company, an ASSA ABLOY Group company. All rights reserved. Reproduction in whole or in part without the express written permission of Sargent Manufacturing Company is prohibited.

A7655A



NOTES

1. REINFORCE METAL DOORS AND FRAMES PER ANSI 250.8 & SDI-100, 12 GAUGE RECOMMENDED.
2. LEFT HAND DOOR SHOWN, RIGHT HAND OPPOSITE.
3. ADJUST HOLD OPEN ANGLE FROM 85° TO 110° BY CHANGING ARM LENGTH.
4. FOR THIN RAIL DOORS (WIDER THAN 2-5/8"), USE 351-D DROP PLATE, SEE TEMPLATE A6745.
5. (3) HOLES ARE PROVIDED FOR THE CONDUIT CONNECTION. AN ADAPTER IS INCLUDED THAT ACCEPTS STANDARD 1/2" THREADED CONDUIT.

CONDUIT ADAPTER
(SHOWN INSTALLED ON BACK OF CHANNEL)

SARGENT Manufacturing Company 100 Sargent Drive New Haven, CT 06511	
DATA SHEET:	EFFECTIVE DATE
351EHT PUSH SIDE APPLICATION	JUNE 03
	TEMPLATE NO. A7648 B