



Keyed lock and integral front handle.

features

- **Panel Space:** 3U
- **Overall Depth:** 15.07" [383] with integral handle
- **Overall Width:** 19.00" [483]
- **Description:** Fully welded steel utility drawer mounts to front rails of 19" equipment racks using standard E.I.A. spacing.
- **Construction:** Fully-welded 16-gauge certified U.S. steel. Smooth black powder epoxy finish. Ball bearing slides for smooth operation.
- **Cable Management:** Plastic bushing in rear for wire pass-through (up to 1.06" diameter).
- **Hardware:** Mounting hardware is not included.
- **Lock:** Front lock with key.
- **Origin:** Made in the U.S.A.
- **Compliance:** EIA/TIA compliant.
- **Load Capacity:** 50 lbs.
- **Options:**
 - **DFI-3:** Die-cut foam insert (3U x 15.5" x 14") is pre-scored with pick-and-pull sections to allow the user to create custom nests to secure specific pieces of equipment. Includes solid (3/8"H) foam bottom. Also available for 2U or 4U drawer.
 - **CDM:** Non-slip perforated mat liner (15.5" x 14") provides a protective barrier for a drawer's metal surface.

a&e specifications

The rackmount utility drawer shall be Lowell Model #UDEL-314, which shall be fully-welded 16-gauge certified U.S. steel with smooth black powder epoxy finish. The 19.00"W x 15.07"D x 3U drawer shall feature ball-bearing slides for smooth operation, an integral handle, a plastic bushing in the rear for wire pass-through, and a key lock for security. Load capacity shall be 50 lbs. The drawer shall be made in the U.S.A.

Options

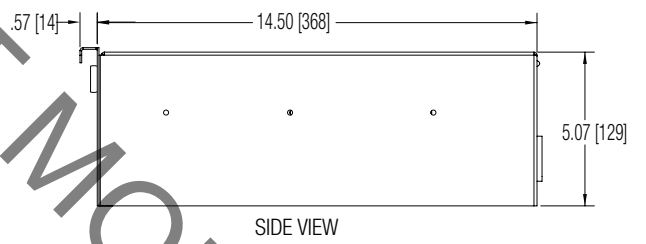
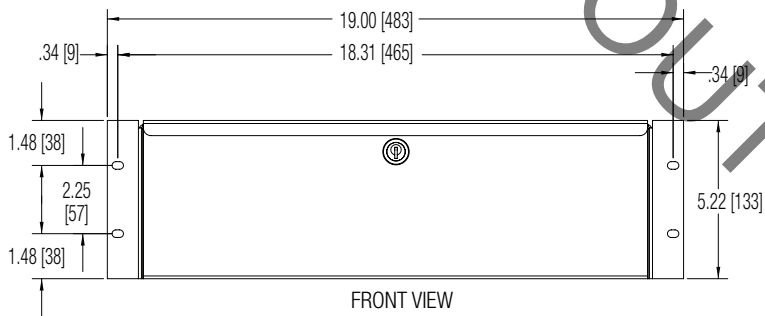
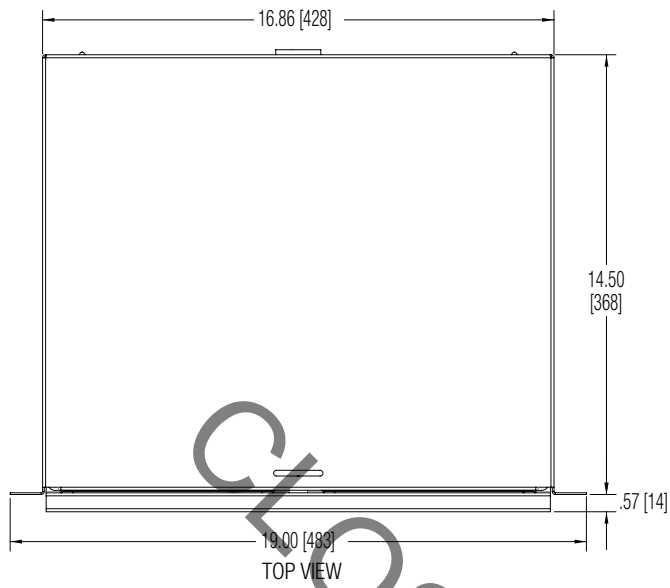
- The drawer shall include die-cut foam insert model #DFI-3 pre-scored with pick-and-pull sections. It shall measure 15.5" x 14" x 3 rack units.
- The drawer shall include a non-slip mat liner (15.5" x 14").

UDEL series summary

| Model No. | Panel Space | Overall Height | Overall Width | Overall Depth | Drawer Width | Drawer Depth | Key Lock |
|-----------------|-------------|-------------------|--------------------|--------------------|--------------------|-------------------|------------|
| UDEL-214 | 2 U | 3.47 [88] | 19.00 [483] | 15.07 [383] | 16.86 [428] | 14.5 [368] | yes |
| UDEL-314 | 3 U | 5.22 [133] | 19.00 [483] | 15.07 [383] | 16.86 [428] | 14.5 [368] | yes |
| UDEL-414 | 4 U | 6.97 [177] | 19.00 [483] | 15.07 [383] | 16.86 [428] | 14.5 [368] | yes |

Dimension = inches [mm]
1U = 1.75"





CLOSEOUT MODEL

