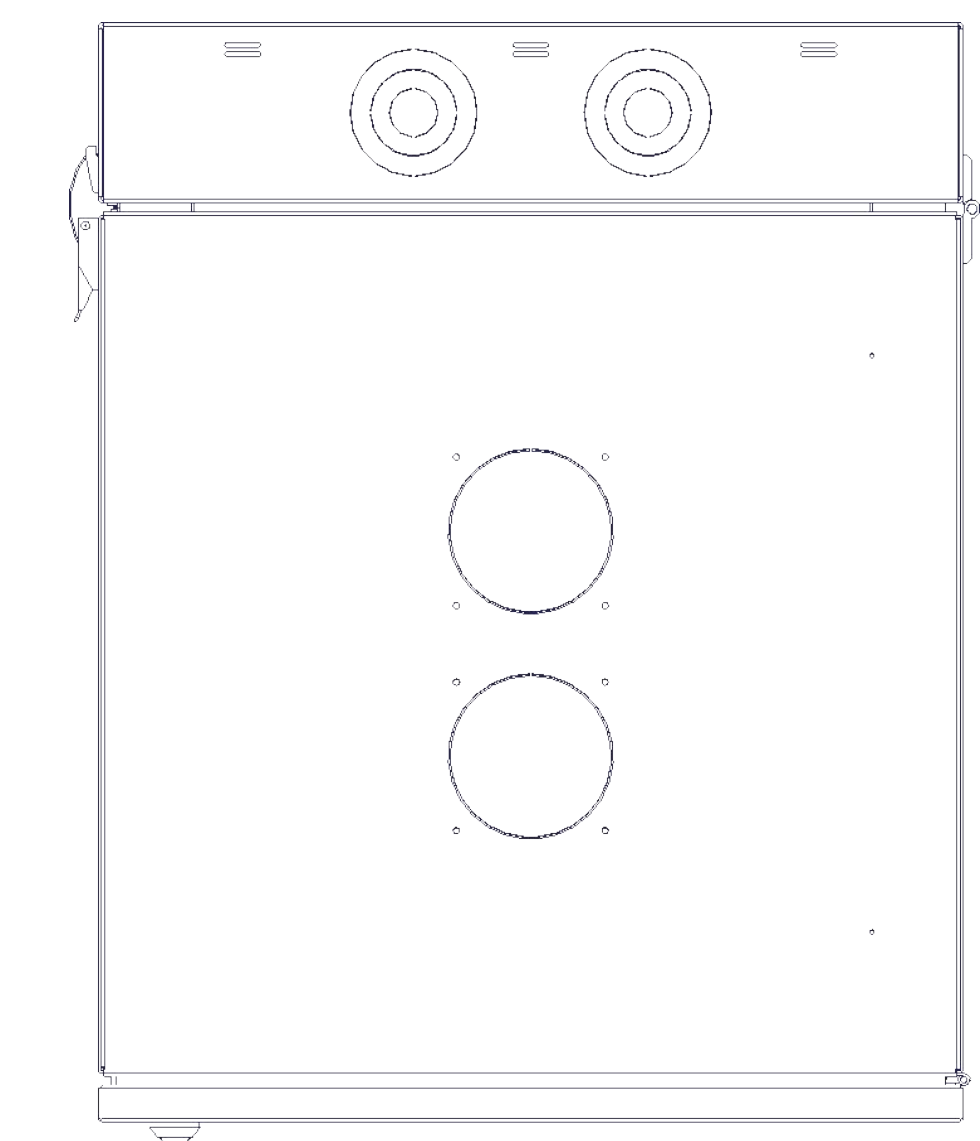
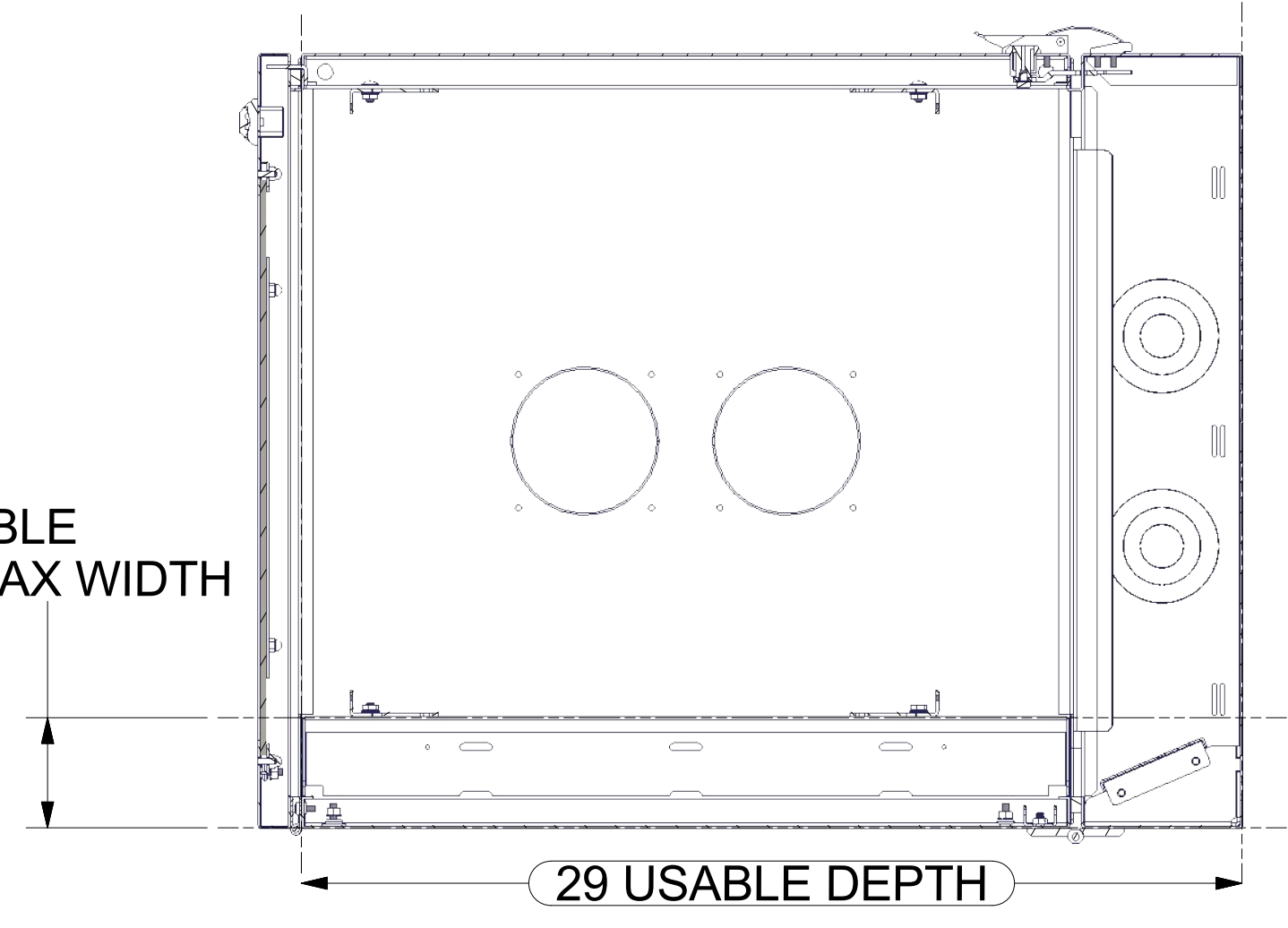


8 7 6 5 4 3 2 1

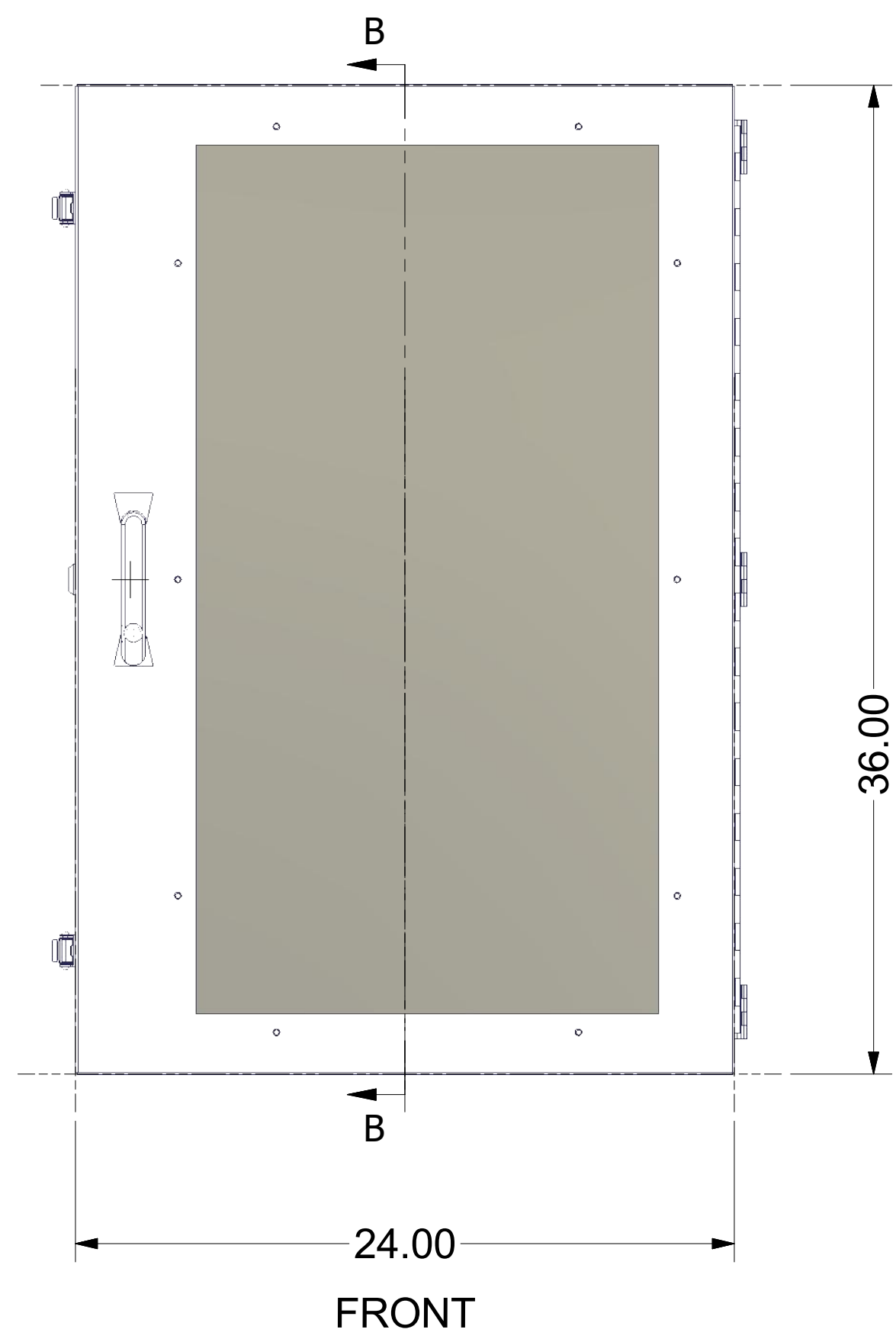


3.41 CABLE AREA MAX WIDTH



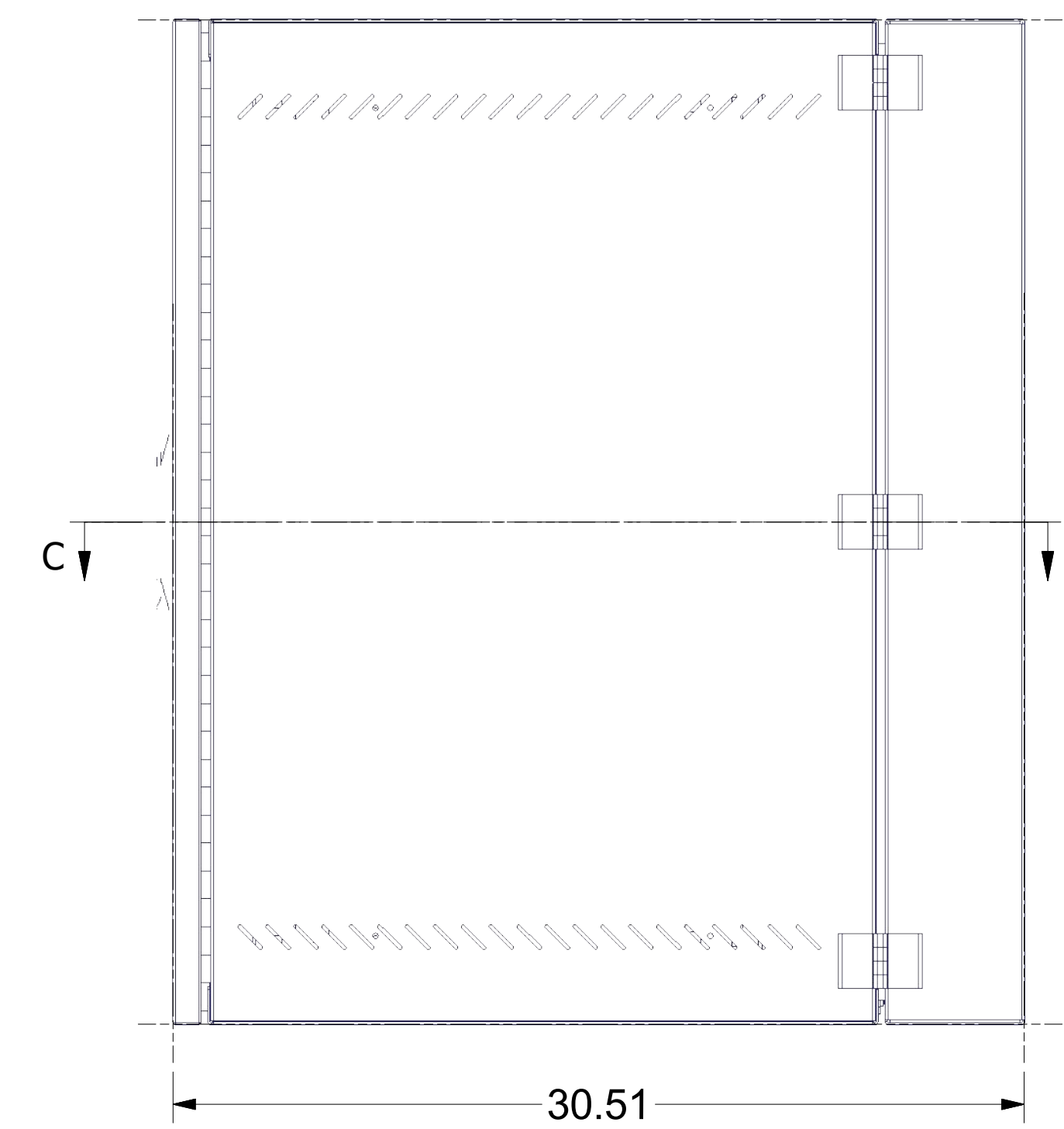
29 USABLE DEPTH

SECTION C-C



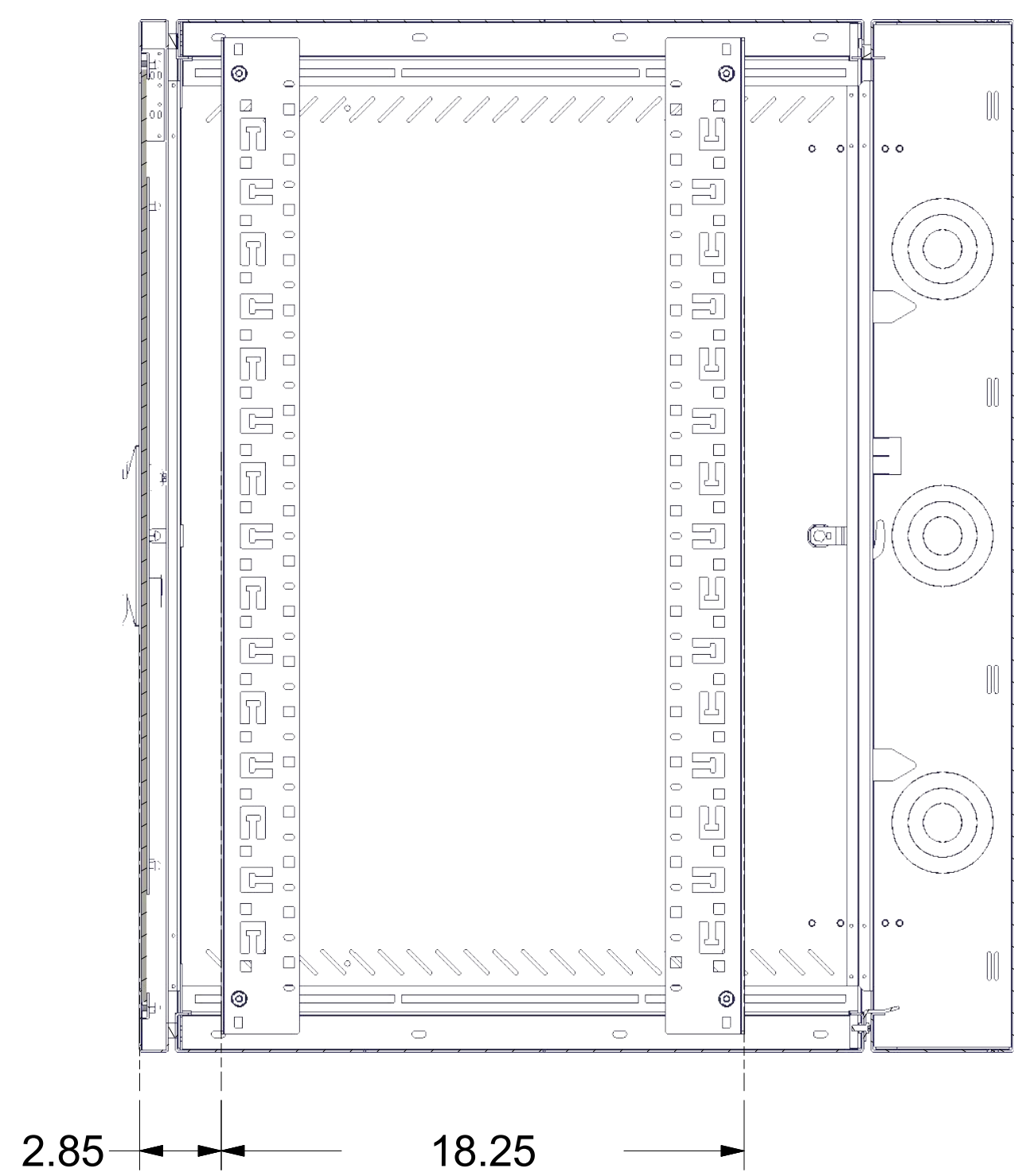
24.00  
FRONT

36.00



30.51

RIGHT SIDE

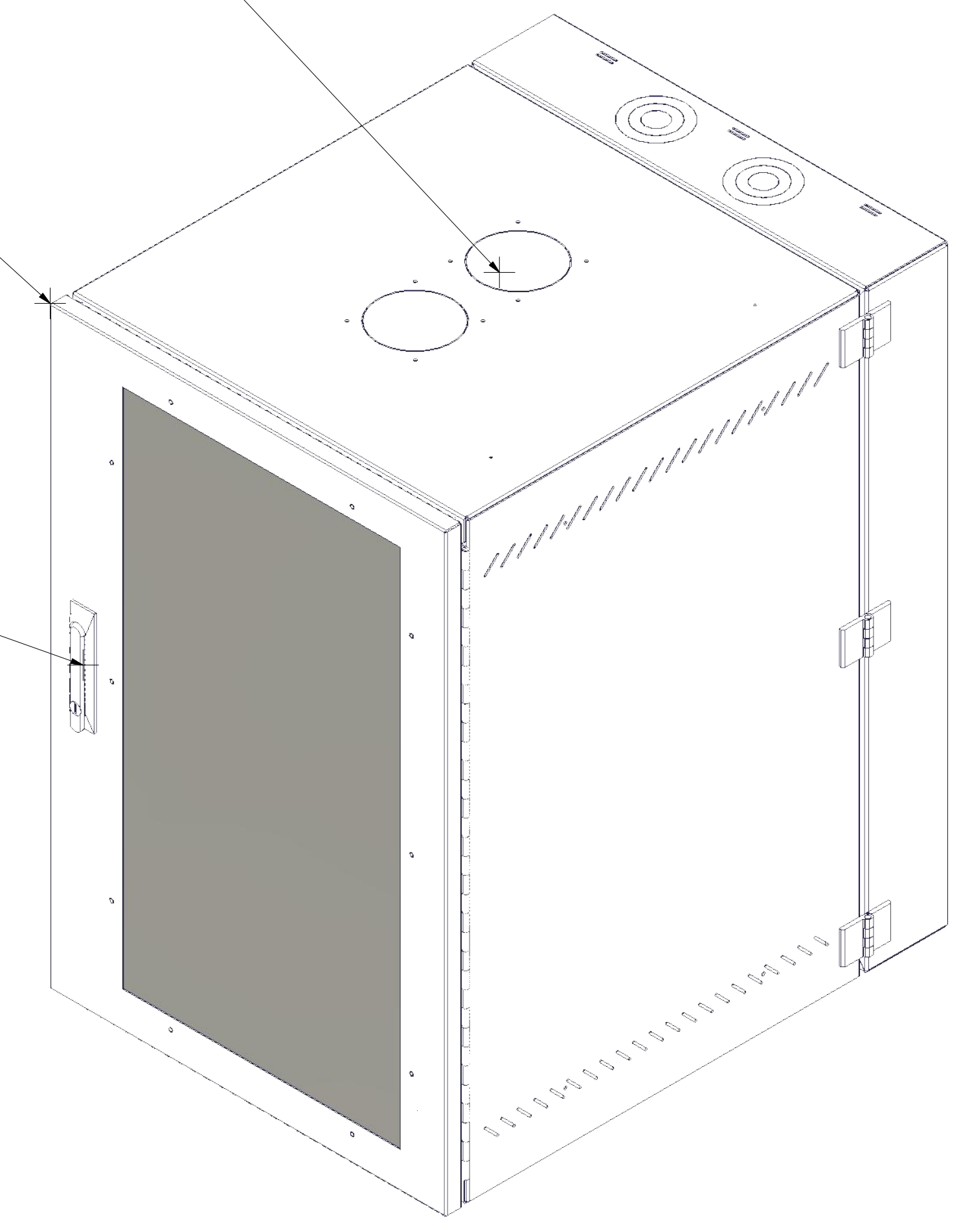


2.85 18.25  
RAIL TO RAIL  
SECTION B-B

OPTIONAL FAN ASSEMBLY

PLEXI DOOR

STANDARD SWINGHANDLE



**SPECIFICATIONS: WMCM WALL MOUNT**

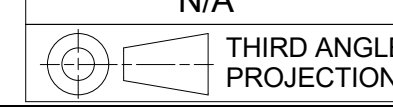
**RACK SPACES:** 19" EIA 310-E COMPLIANT - 19 RMU

**COLOR:** BLACK OR WHITE

**FEATURES:** 2 PAIR OF FULLY ADJUSTABLE #12-24UNC THREADED MOUNTING RAILS, #12 GA. 1", 2", AND 3" CONDUIT KNOCKOUTS ON TOP, BOTTOM AND NON-HANDLE SIDE OF REAR SECTION. DUST KIT IS AVAILABLE. CENTER SWING-OUT SECTION PROVIDES FRONT/ REAR ACCESS TO CABLES. REVERSIBLE CABINET SWINGOUT OPENING FOR LEFT OR RIGHT-HAND.

**USABLE DEPTH:** APPROXIMATELY 29.00" AS SHOWN

EST. WEIGHT :  
N/A



INTERPRET DRAWING PER ASME Y14.5M-1994  
DIMENSIONAL LIMITS APPLY AFTER APPLICATION OF FINISH  
DRAWING NOT TO SCALE  
TOLERANCE UNLESS OTHERWISE NOTED:  
ANGULAR +/- 1'  
.XXXX +/- .010  
.XXX +/- .015  
.XX +/- .030  
.X FOR REF. ONLY  
UNLESS OTHERWISE SPECIFIED ALL DIMENSIONS ARE IN INCHES

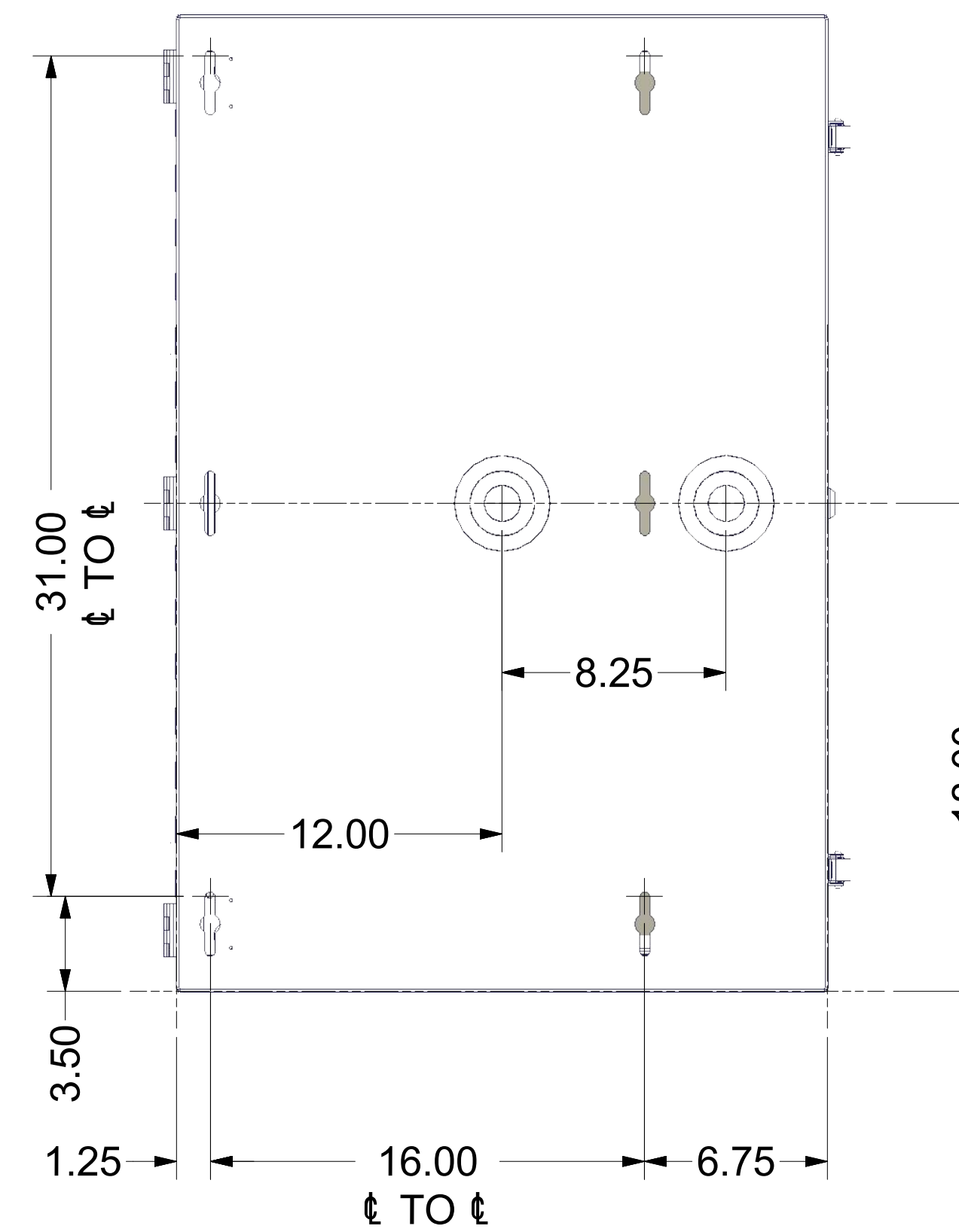
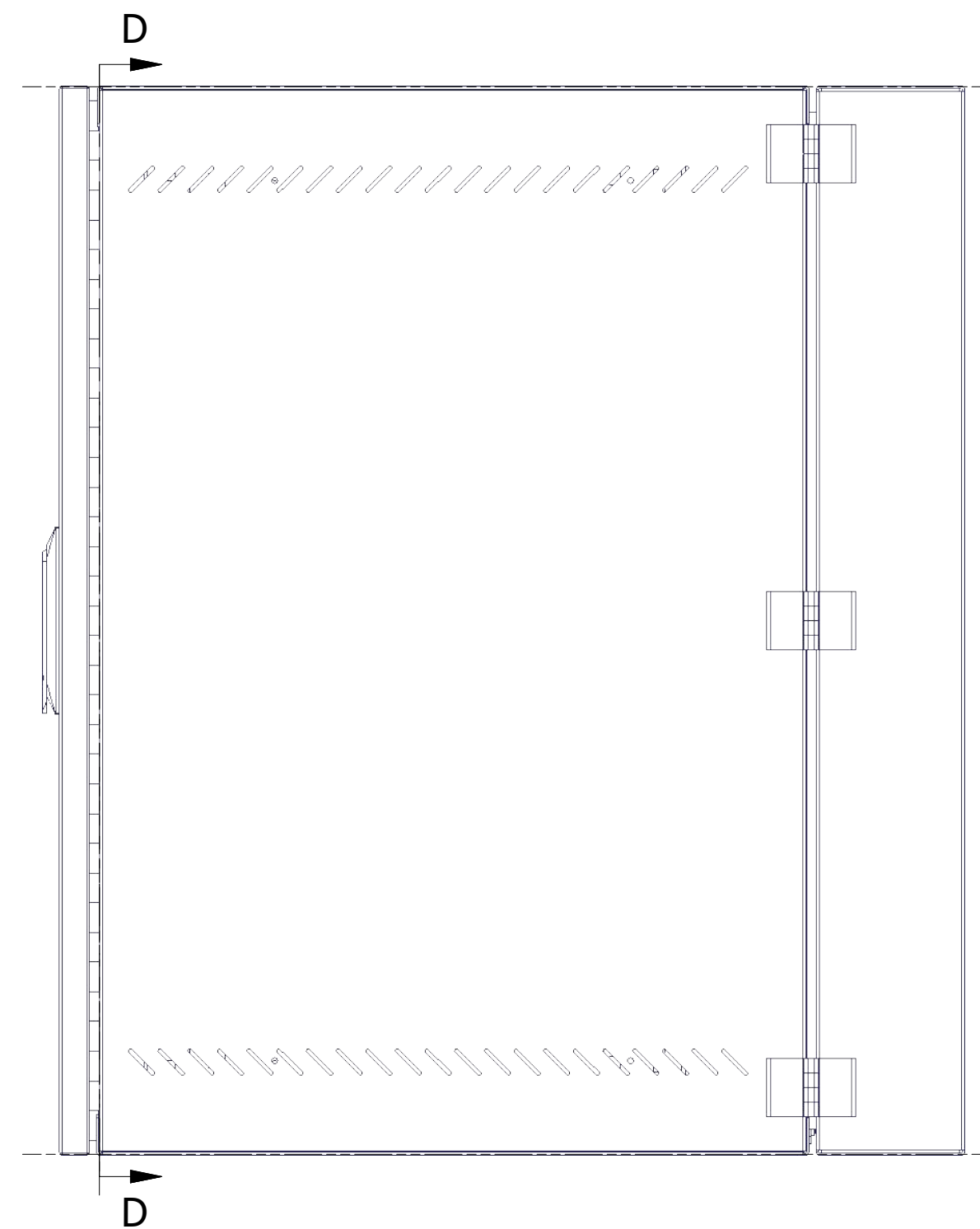
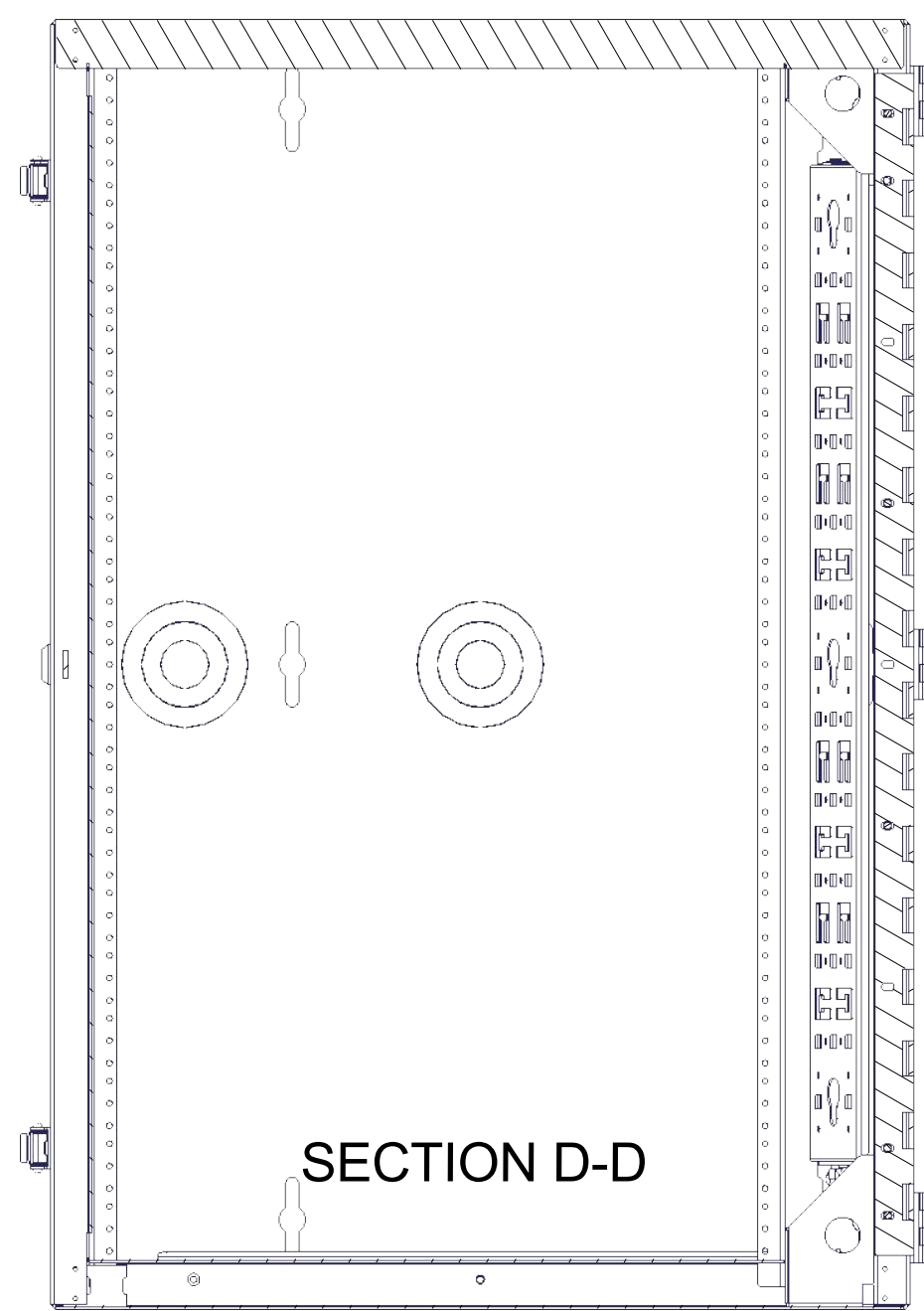
**NOTICE:**

Use of this document is subject to a confidentiality and nondisclosure agreement with Great Lakes Data Racks & Cabinets and may not be reproduced, disclosed or utilized in whole or in part without prior written authorization from Great Lakes.

PART NUMBER:  
GL36WMCM-P-X-SH-00-CM  
MATERIAL TYPE:  
MATERIAL GAUGE:  
FINISH:  
DRAWN TomD DATE 3/12/2020  
CHECKED & APP. DATE

TITLE 24H x 24W x 30.5D WMCM w/MESH DOOR, SEAL COMBINATION HANDLE, AND CABLE MANAGER  
GREAT LAKES DATA RACKS & CABINETS  
P.O. BOX 551 EDINBORO, PA 16412  
PHONE (814) 734-7303 FAX (814) 734-3907  
E-MAIL info@greatcabinets.com  
DWG NO: WMCM  
REV 0  
SHEET: 1 OF 2

8 7 6 5 4 3 2 1



EST. WEIGHT :  
N/A



INTERPRET DRAWING PER ASME Y14.5M-1994  
DIMENSIONAL LIMITS APPLY  
AFTER APPLICATION OF FINISH  
DRAWING NOT TO SCALE  
TOLERANCE UNLESS OTHERWISE NOTED:  
ANGULAR +/- 1°  
.XXXX +/- .010  
.XXX +/- .015  
.XX +/- .030  
.X FOR REF. ONLY  
UNLESS OTHERWISE SPECIFIED  
ALL DIMENSIONS ARE IN INCHES

**NOTICE:**

Use of this document is subject to a confidentiality and nondisclosure agreement with Great Lakes Data Racks & Cabinets and may not be reproduced, disclosed or utilized in whole or in part without prior written authorization from Great Lakes.

PART NUMBER:  
GL36WCMCP-X-SH-00-CM  
MATERIAL TYPE:  
MATERIAL GAUGE:  
FINISH:  
DRAWN TomD DATE 3/12/2020  
CHECKED & APP. DATE

TITLE **24H x 24W x 30.5D WCMC w/MESH DOOR, SEAL COMBINATION HANDLE, AND CABLE MANAGER**  
GREAT LAKES DATA RACKS & CABINETS  
P.O. BOX 551 EDINBORO, PA 16412  
PHONE (814) 734-7303 FAX (814) 734-3907  
E-MAIL info@greatcabinets.com  
DWG NO: **WCMC** REV **0** SHEET: 2 OF 2