

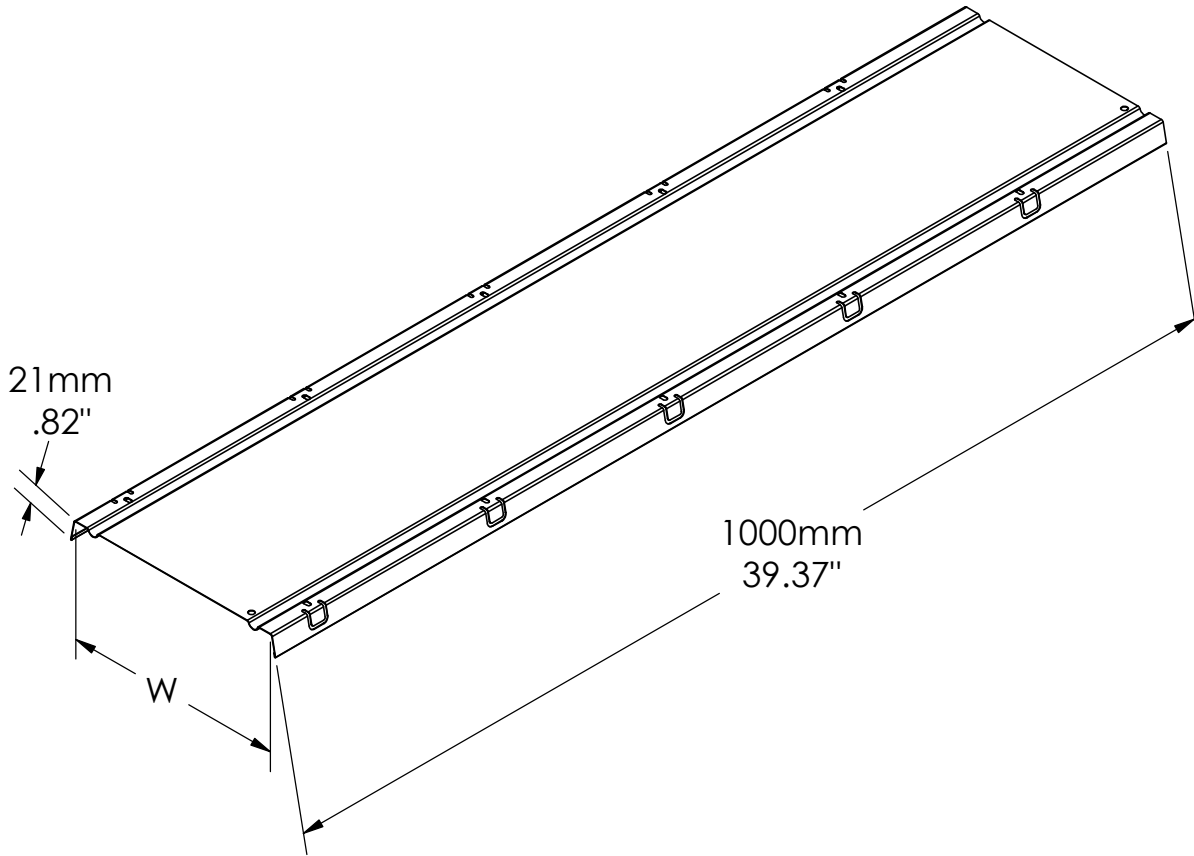


# Cablofil Wire Mesh Cable Tray Accessory

## Cover CVN



INSTALLATION  
VIDEO



Finish: PG (Pre-Galvanized)  
BL (Black Painted)  
WH (White Painted)  
PE (Custom Painted)  
HR (High Resistance)  
316L (Stainless Steel 316)

Notes:

1. EACH PACKAGE CONTAINS THREE 3.3' COVERS FOR USE WITH ONE 10' SECTION OF TRAY.
2. USE BUILT IN TABS FOR PERMANENT ATTACHMENT TO TRAY.
3. USE CLIP F02 FOR INSTALLATIONS WHERE COVER IS REMOVED FREQUENTLY.

PART NO.	W		WEIGHT
	in	mm	
CVN50	2.79	71	4.27
CVN100	4.76	121	5.84
CVN150	6.73	171	7.56
CVN200	8.70	221	9.19
CVN300	12.68	322	14.80
CVN450	18.70	475	21.03
CVN500	20.67	525	24.86
CVN600	24.60	625	28.21

"Copyright LNA, Inc. Drawings are proprietary and may not be copied or otherwise duplicated or used without express written permission."

CABCS0123

Legrand  
8319 State Rt. 4  
Mascoutah, IL 62258 USA  
800-658-4641  
618-566-3250  
Fax 618-566-4978  
www.legrand.us/cablofil