



WM, WD, WS, WE, 15WM & NEMA 12K Series Wall Mounts

Installation Instructions



WDS



WM

WeRackYourWorld.com

1-866-TRY-GLCC (879-4522)

PREFACE

This manual is provided to prevent service personnel from committing an act that results in the risk of fire, electric shock, or injury to persons. Only trained service personnel should receive, unpack, and assemble the Great Lakes Wall Mount. In addition, only trained service personnel should install equipment in enclosures.

SAFETY SYMBOLS USED IN THIS MANUAL

This manual provides general safety guidelines to be observed during installation, operation, and maintenance of the Great Lakes Wall Mount.



WARNING: Failure to follow directions in the warning could result in injury to persons or loss of life.



CAUTION: Failure to follow directions in the caution could result in damage to equipment or storage data.

SAFETY CONSIDERATIONS



WARNING: Improper handling and use of the Great Lakes Wall Mount could result in equipment damage, serious injury, or possible death.

Only trained service personnel should be used to remove the enclosure from the pallet. Also, be sure you have a sufficient number of service personnel. Do not attempt to move enclosures by yourself.

Only UL® Listed ITE (Information Technology Equipment) units should be installed inside the Great Lakes Wall Mount.

Be sure to read and follow all individual manufacturer equipment manuals for safety and installation instructions.

Proper spacing is required when installing electrical equipment to avoid electrical shock. Maintain minimum spacing between the accessories and components and the computer enclosure assembly for safe operation of the equipment when installed in accordance with the National Electrical Code ANSI/NFPA 70-1999.

The ambient temperature operating range for the Great Lakes Wall Mount and accessories is +50 to +95° F (+10 to +35° C).

The non-operating temperature is -4 to +140° F (-20 to +60° C).

INSTALLATION

Receiving and Unpacking

Inspect and report any damage before receiving. Unpack the wall mount by carefully removing the corrugated carton and corners. Avoid damaging the wall mount when removing packaging.



WARNING: Only trained service personnel should be used to unpack and move the enclosure. Also, be sure you have a sufficient number of service personnel. Do not attempt to move enclosures by yourself.



WARNING: Be careful when moving enclosures before installation. Sudden stops and starts, excessive force, obstructed routes, and uneven floor surfaces may cause the enclosure to topple over.

Loading Equipment



WARNING: Only install equipment after the Great Lakes Wall Mount has been properly secured. Do not move the Great Lakes Wall Mount assembly while loaded.

Rated or maximum load capacities for the Great Lakes Wall Mount Enclosures are as follows:

WS Series - GL24WS 250 lbs.; GL36WS 300 lbs.; GL48WS 350 lbs.

WM Series - GL24WM 150 lbs.; GL2418WM 150 lbs.;
GL36WM 250 lbs.; GL48WM 350 lbs.

WD Series - GL24WD 250 lbs.; GL36WD 300 lbs.;
GL48WD 350 lbs.

WE Series - GL24WE 350 lbs.

15WM Series - GL15WM 100 lbs.

To maintain a uniform distribution of the mechanical load in the Great Lakes Wall Mounts, load the heaviest equipment first, at the bottom of the Great Lakes Wall Mount and load the lighter units at the top.

SERVICE

The Great Lakes Wall Mount should be repaired by personnel trained by Great Lakes, or returned to Great Lakes for repair or replacement. Contact Great Lakes Technical Support at 814.734.7303 or at werackyourworld.com

MOUNTING INSTRUCTIONS

Wood Studded Wall

Once the location on the wall has been determined, inspect the wall surface. The wall must be flat and square in the horizontal and vertical plane to ensure the Great Lakes Wall Mounts closes correctly. If the wall is not flat and square, the use of shims may be required.

Wood studded wall mounting instructions apply to a 2" x 4" wood stud wall with 3/4" plywood.

Recommended Mounting Hardware for Wood Studded Wall

For WM, WE, WE and 15WM Series:

Qty (4) 3/8 x 2" long Lag Bolts and 1" O.D. Flat Washer

For WS, WD and NEMA 12K Series:

Qty (4) 3/8 x 2 1/2" long Lag Bolts and 1" O.D. Flat Washer

Masonry Wall Surface- For masonry wall surface, the installer must provide all the appropriate hardware.

PROTECTIVE GROUNDING

Protective grounding studs are provided along with grounding jumper wires that electrically bond the enclosure doors to the enclosure frame.



WARNING: To avoid injury to persons or loss of life, ground each enclosure individually to the dedicated branch circuit ground.

Connecting Main Protective Grounding Stud to the Dedicated Branch Circuit Ground- Connect the dedicated branch circuit ground connector to the main protective grounding stud located inside on the back of the rear section on the WS, WM, WD, WE and inside on the side of the 15WM Series using a listed ring or closed-loop terminal.

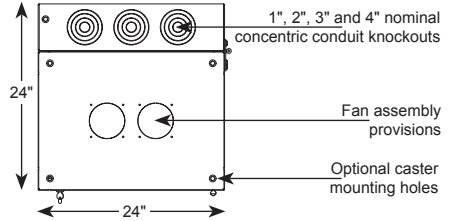
Connecting Main Protective Grounding Stud to the Protective Bonding Conductors- Connect the middle wall mount frame on the WS, WM and WD Series to the main protective grounding stud located inside on the back of the rear section using a listed ring or closed-loop terminal. Connect the wall mount frame on the WE and 15WM Series to the main protective grounding stud located inside on the back of the rear section on the WE Series and inside on the side of the 15WM Series using a listed ring or closed-loop terminal. Connect the front door to the grounding stud located inside at the side of the wall mount frame using a listed ring or closed-loop terminal.

Parts Not Bonded to Protective Earthing Terminal- The following parts are not effectively bonded to the protective earthing terminal: rails. If these parts need to be bonded to the protective earthing terminal, do so in accordance with Article 250 of the National Electrical Code.

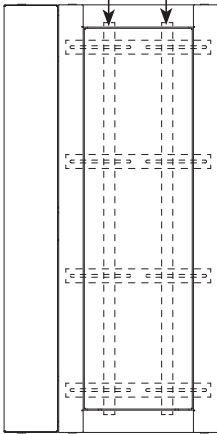
WS SERIES WALL MOUNT/ SWING OUT ENCLOSURE

1. Mounting holes are designed for 3/8" hardware, 16" on center.
2. Use the template on the shipping box to locate your mounting holes.
(WM & WS only)
3. WS and WD handles can be found in the hardware bag.

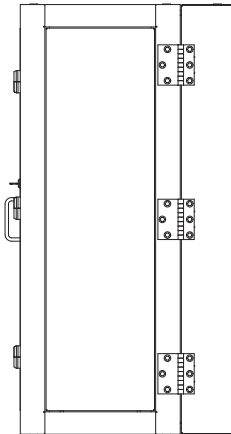
Part No.	H	W	D
GL24WS	24.00"	24.00"	24.00"
GL36WS	36.00"	24.00"	24.00"
GL48WS	48.00"	24.00"	24.00"



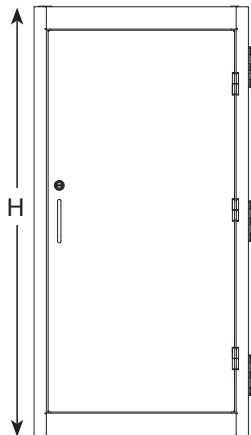
Two pair 19" EIA rails provided with each enclosure



Side View

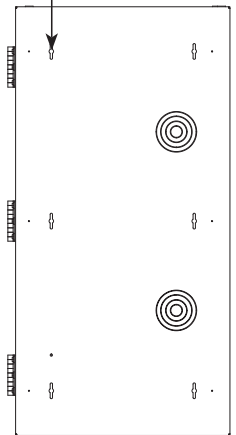


Side View



Front View

Mounting holes for 3/8" hardware, 16.00" centers

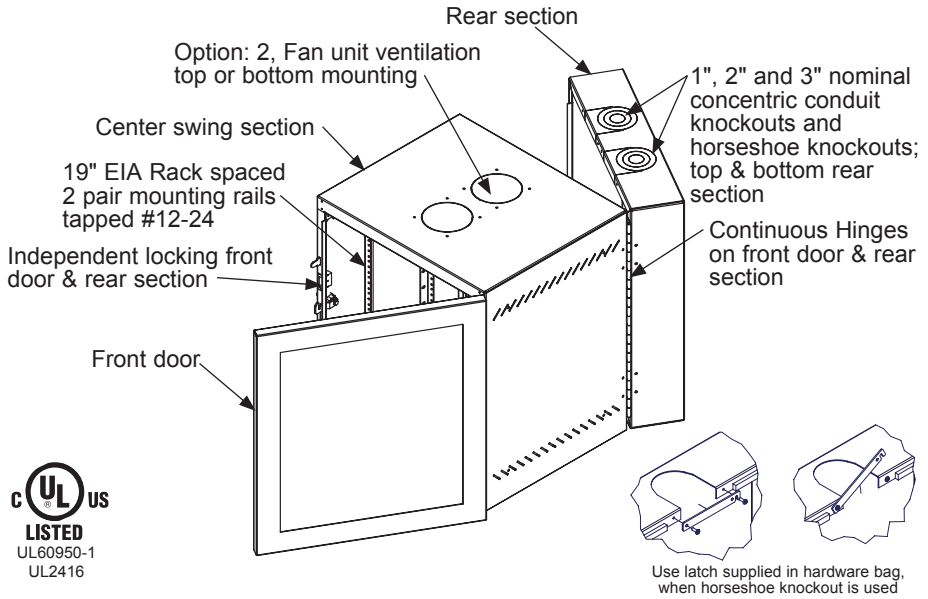


Rear View

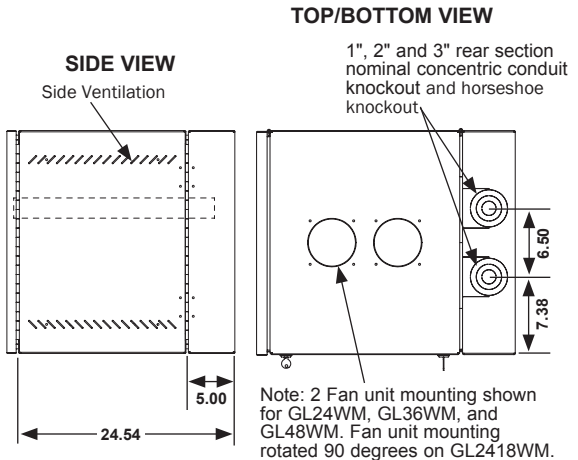
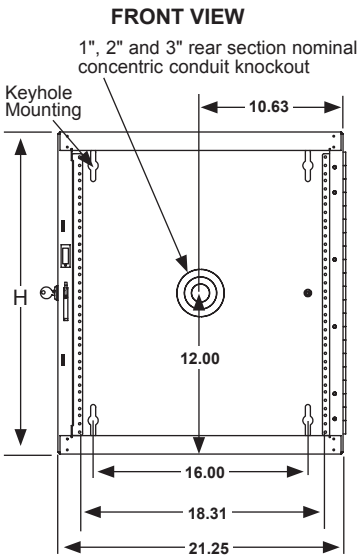


WM SERIES WALL MOUNT ENCLOSURE

1. Mounting holes are designed for 3/8" hardware, 16.00" on center.
2. Use the template on the shipping box to locate your mounting holes.
(WM & WS only)

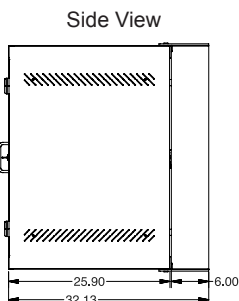
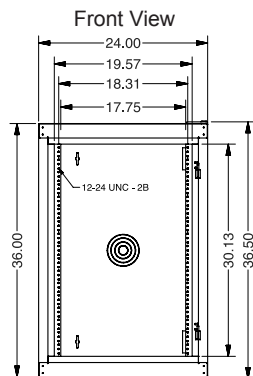


Part No.	H	W	D
GL2418WM	24.00"	21.25"	18.00"
GL24WM	24.00"	21.25"	24.50"
GL36WM	36.00"	21.25"	24.50"
GL48WM	48.00"	21.25"	24.50"

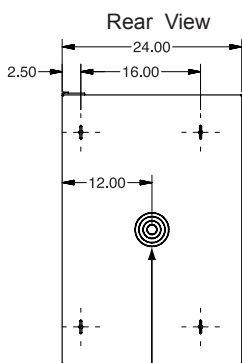


WD SERIES WALL MOUNT ENCLOSURE

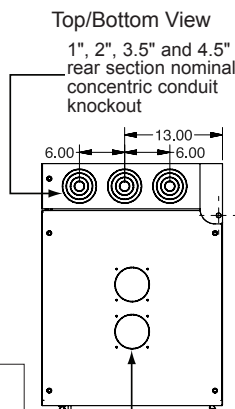
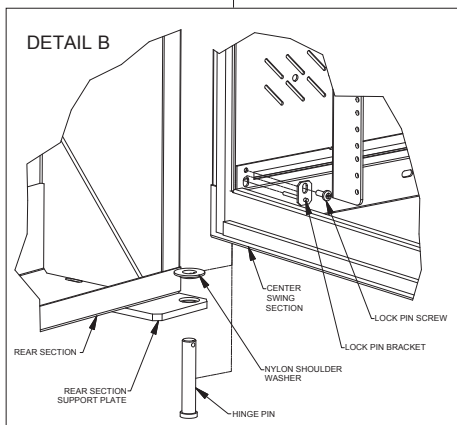
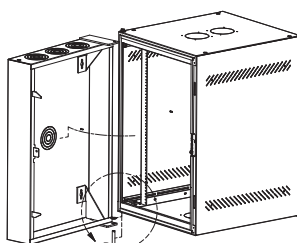
1. Mounting holes are designed for 3/8" hardware, 16.00" on center.
2. See detail "B" to remove pins for mounting back section to the wall (make sure to reinstall back pin after wall mounting)
3. WS and WD handles can be found in the hardware bag.



Part No.	H	W	D
GL24WD	24.00"	24.00"	32.13"
GL36WD	36.00"	24.00"	32.13"
GL48WD	48.00"	24.00"	32.13"



1", 2", 3.5" and 4.5" nominal concentric conduit knockout

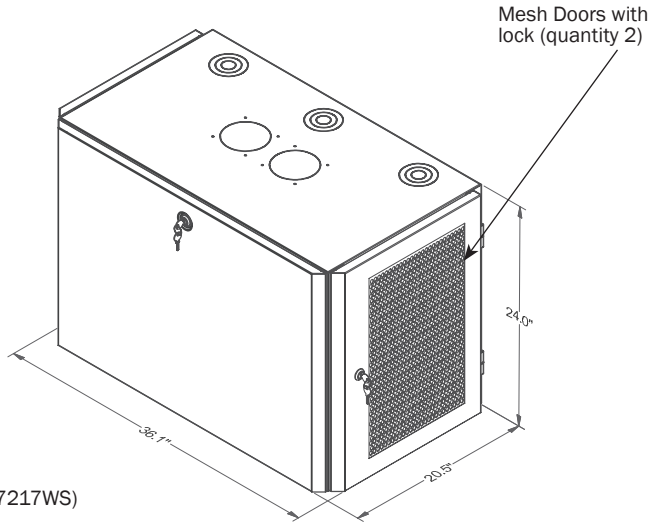


Fan knockouts for 7217WS assembly located on top and bottom

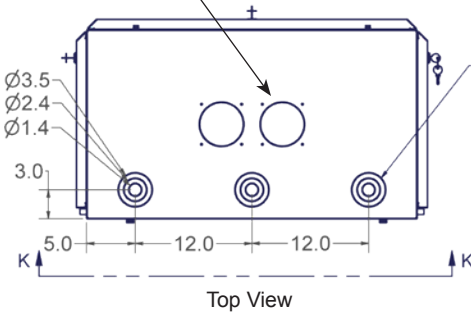


WE SERIES WALL MOUNT ENCLOSURE

1. Mounting holes are designed for 1/4" hardware, 16.00" on center.
2. Wall Mount must be mounted to three wall studs to achieve maximum weight capacity.

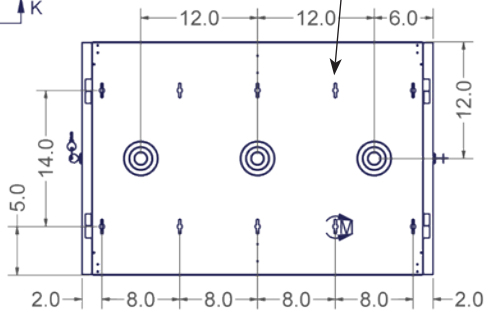


Fan Assembly Provision (7217WS)



1", 2" and 3"
nominal concentric
conduit knockout;
Typ. 3 top & bottom
Typ. 3 rear

Mounting holes
for 1/4" hardware



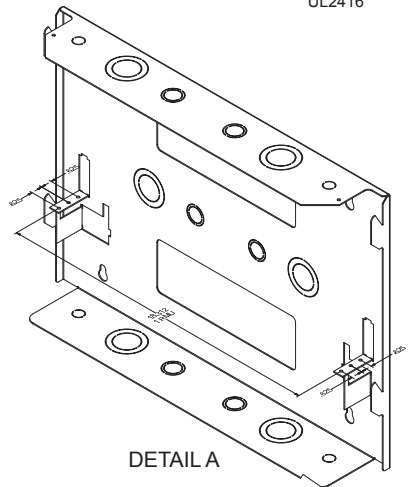
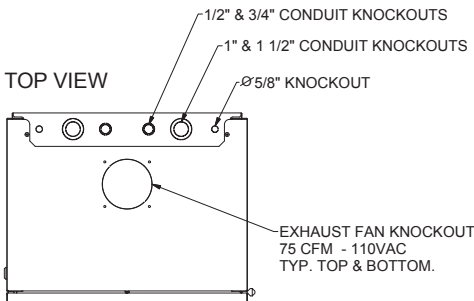
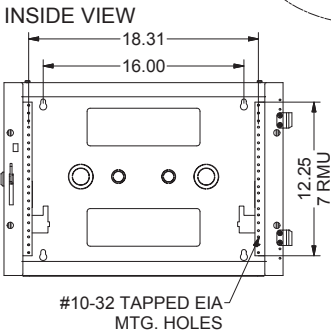
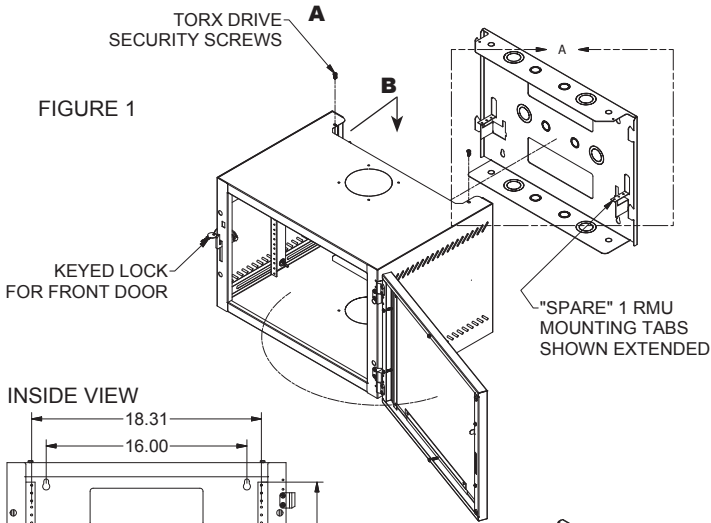
Rear View

15WM SERIES WALL MOUNT

1. Unscrew specialty torx screw using the supplied torx screw bit. Fig 1 (A)
2. Remove back panel from wall mount. Fig 1
3. Mount back panel to wall using 3/8" hardware, 16" on center.
4. Once back panel is mounted, hang main body on mounted back panel.

Fig 1 (B)

5. Secure main body using torx screw (keep bit in safe place for future use).
- Note: Push down tabs (Detail A) to get one RMU mounting on the back panel.*

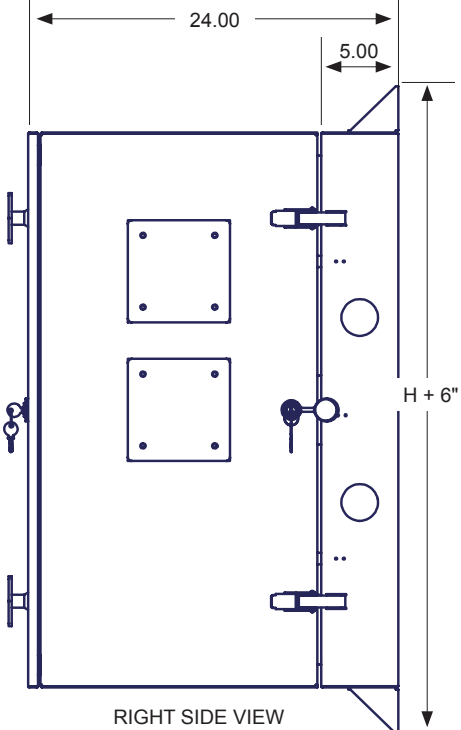
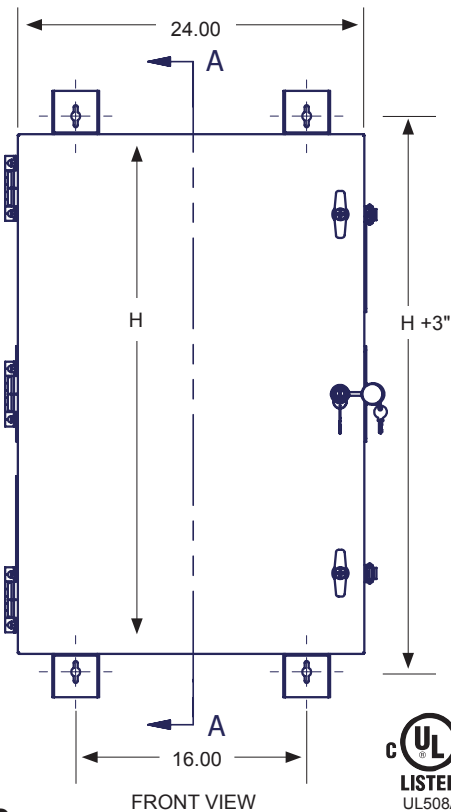
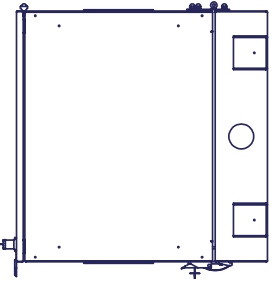


NEMA 12K WALL MOUNT ENCLOSURES

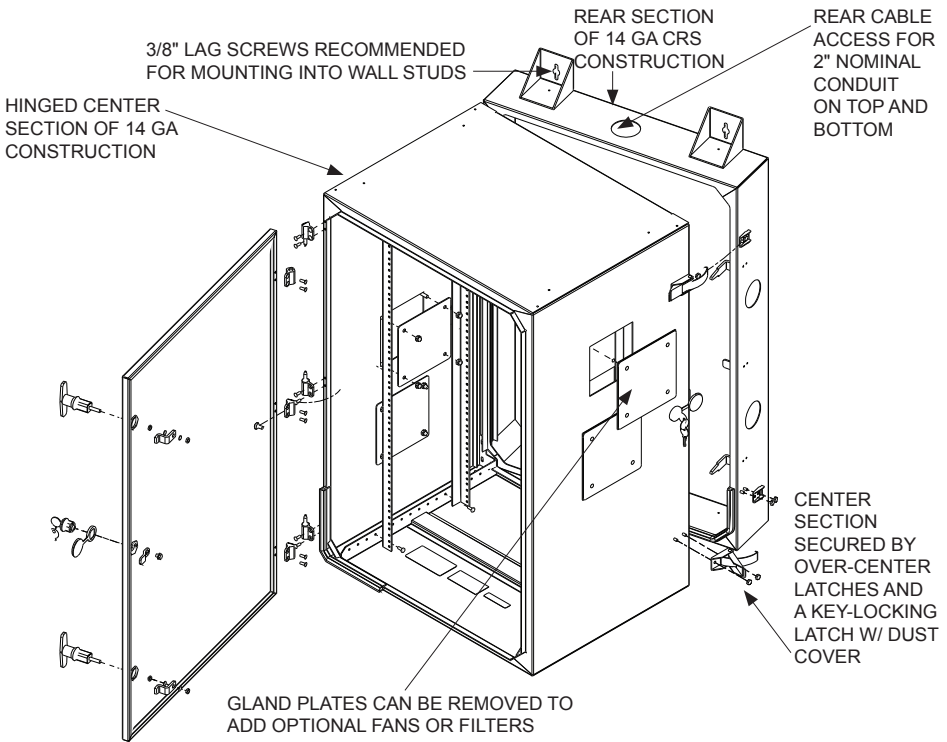
PART NO.	H	RMU	WT. CAP.	SHIP. WT.
GL240N12	24.00"	12	150 lbs	105 lbs
GL360N12	36.00"	19	250 lbs	140 lbs
GL480N12	48.00"	26	300 lbs	175 lbs

Instructions:

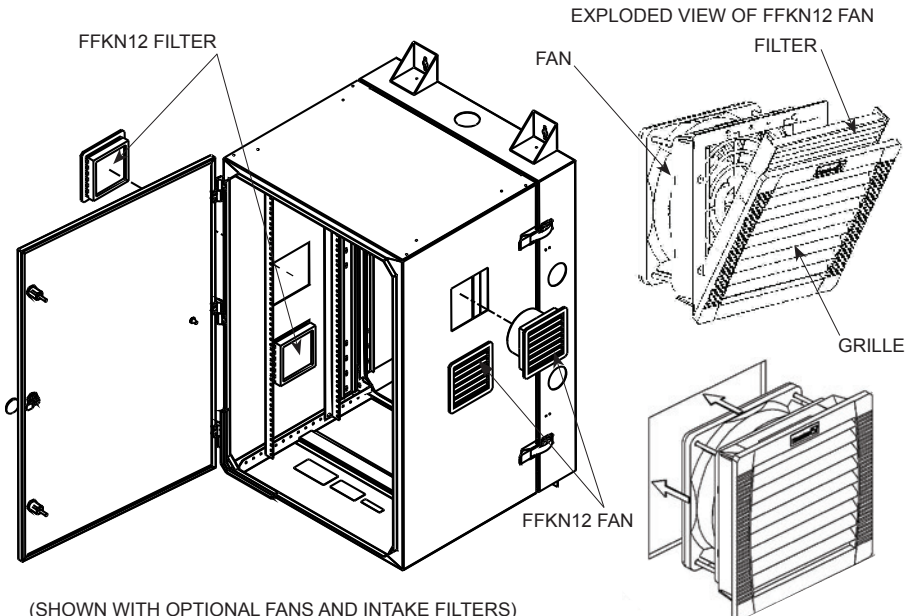
Maximum weight capacity of NEMA 12K determined at minimal deflection. (Deflection chart available upon request.) Make sure enclosure is secured and squared on mounting surface. Improper installation will cause excessive deflection. The enclosure has been fully assembled at the factory; it is ready to be properly mounted to the wall. The mounting holes on this wall mount are designed for 3/8" hardware, 16" on center. Internal rails are adjustable every 1".



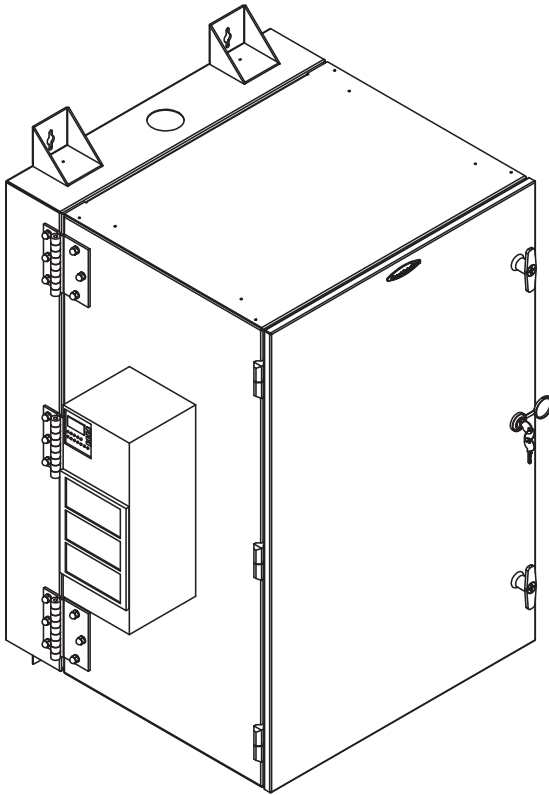
(Continued on next page)



OPTIONAL FAN UNIT - FFKN12-A4
 GL240N12 CAN ACCEPT ONE FAN UNIT
 GL360N12 CAN ACCEPT TWO FAN UNITS
 GL240N12 CAN ACCEPT THREE FAN UNITS



NEMA 12K WALL MOUNT WITH OPTIONAL AC UNITS



PREPARING THE ENCLOSURE:

Ice Qube air conditioning systems have been designed to be light weight for ease of installation. Side enclosure or vertical mount units have been designed with a simple “two Stud” alignment feature to make initial fastening to the enclosure quick and easy.

- 1.** Determine the location of the Ice Qube system on the enclosure. The Great Lakes wall mount comes with a hole pattern that will accept the a/c unit.
- 2.** After checking that all openings and bolt holes are in alignment, apply the provided gasket material to the Ice Qube a/c unit.



CAUTION

Be careful while removing the backing on the gasket material. The material may stretch and the holes will not align.

NOTE: *If the enclosure is not air tight, or the air conditioning system operates with the enclosure door(s) open, moisture will condensate inside the air conditioning system and may cause the condensate management system to overflow.*

3. After the gasket material has been installed, mount the Ice Qube system onto the enclosure and fasten it using the supplied nuts and bolts. Check to see if the power cord and all optional cables are in place. Fasteners need to be tightened securely and the gasket material needs to be in place in order to maintain enclosure integrity. The gasket material should be slightly compressed with no visible gaps. The Ice Qube system is now ready to begin operation.

NOTE: *Near the bottom or on the side of the Ice Qube system cabinet is a nipple for condensate overflow. Although all vertical or side mounted Ice Qube air conditioners have built in condensate management systems, it may be necessary to attach a drain hose to this nipple on enclosures which are located in extremely humid conditions, or where enclosure doors are left open or the door seals are leaking.*

WALL MOUNT ACCESSORIES

PART NO.	DESCRIPTION	WM	WS	WD	WE	NEMA
7206-FM*	Stationary Front Mount Shelf 18"D, Wt Cap. 60 lbs.	<input checked="" type="checkbox"/>	<input checked="" type="checkbox"/>	<input checked="" type="checkbox"/>	<input type="checkbox"/>	<input checked="" type="checkbox"/>
7206-EIA*	Stationary Shelf 18"D, Wt Cap. 80 lbs.	<input checked="" type="checkbox"/>	<input checked="" type="checkbox"/>	<input checked="" type="checkbox"/>	<input type="checkbox"/>	<input checked="" type="checkbox"/>
7206-14	Stationary Shelf 14"D, Wt Cap. 60 lbs.	<input checked="" type="checkbox"/>	<input type="checkbox"/>	<input checked="" type="checkbox"/>	<input type="checkbox"/>	<input checked="" type="checkbox"/>
7206-FR-A18*	Stationary Shelf front & rear mount, adjustable 18"D, Wt Cap. 150 lbs.	<input checked="" type="checkbox"/>	<input checked="" type="checkbox"/>	<input checked="" type="checkbox"/>	<input type="checkbox"/>	<input checked="" type="checkbox"/>
7206-FR-AHD	Stationary Shelf front & rear mount, adjustable 22.25"D, Wt Cap. 200 lbs.	<input type="checkbox"/>	<input type="checkbox"/>	<input checked="" type="checkbox"/>	<input type="checkbox"/>	<input type="checkbox"/>
7206-SL*	Sliding Shelf 16.343"W x 17.50"D Wt Cap. 40 lbs.	<input checked="" type="checkbox"/>	<input checked="" type="checkbox"/>	<input checked="" type="checkbox"/>	<input type="checkbox"/>	<input checked="" type="checkbox"/>
7206-FRSL-AHD	Sliding Shelf front & rear mount sliding, (adj.) 22"D, Wt Cap. 110 lbs.	<input checked="" type="checkbox"/>	<input checked="" type="checkbox"/>	<input checked="" type="checkbox"/>	<input type="checkbox"/>	<input type="checkbox"/>
7219	6 position Power Strip 15 ft. cord for 19" mounting	<input checked="" type="checkbox"/>	<input checked="" type="checkbox"/>	<input checked="" type="checkbox"/>	<input checked="" type="checkbox"/>	<input checked="" type="checkbox"/>
7219-SR14	Rack mount 14 position (6 front/8 back) Power Strip with surge suppressor	<input checked="" type="checkbox"/>	<input checked="" type="checkbox"/>	<input checked="" type="checkbox"/>	<input checked="" type="checkbox"/>	<input checked="" type="checkbox"/>
7219-20AR	6 position Power Strip with circuit breaker (20 amp)	<input checked="" type="checkbox"/>	<input checked="" type="checkbox"/>	<input checked="" type="checkbox"/>	<input checked="" type="checkbox"/>	<input checked="" type="checkbox"/>
7217WS	Fan Assembly with fan guards and (2) 75 CFM fans	<input checked="" type="checkbox"/>	<input checked="" type="checkbox"/>	<input checked="" type="checkbox"/>	<input checked="" type="checkbox"/>	<input type="checkbox"/>
7208WS/WD	Casters, 3 locking and 3 non-locking, 3.625"H	<input type="checkbox"/>	<input checked="" type="checkbox"/>	<input checked="" type="checkbox"/>	<input type="checkbox"/>	<input type="checkbox"/>
CBB-19	Copper Bus Bar 19" rack mounted (isolated)	<input checked="" type="checkbox"/>	<input checked="" type="checkbox"/>	<input checked="" type="checkbox"/>	<input checked="" type="checkbox"/>	<input checked="" type="checkbox"/>
GR102	Grounding Kit	<input checked="" type="checkbox"/>	<input checked="" type="checkbox"/>	<input checked="" type="checkbox"/>	<input type="checkbox"/>	<input checked="" type="checkbox"/>
DK1	Dust Resistant Kit, 4 cover plates, 4 fan filters and hardware	<input type="checkbox"/>	<input type="checkbox"/>	<input checked="" type="checkbox"/>	<input type="checkbox"/>	<input type="checkbox"/>

WALL MOUNT ACCESSORIES

PART NO.	DESCRIPTION	WM	WS	WD	WE	NEMA
DK2*	Dust Resistant Kit, 4 cover plates, 4 fan filters and hardware	<input checked="" type="checkbox"/>	<input type="checkbox"/>	<input type="checkbox"/>	<input type="checkbox"/>	<input type="checkbox"/>
FFK1	Four Fan Filters	<input checked="" type="checkbox"/>	<input checked="" type="checkbox"/>	<input checked="" type="checkbox"/>	<input type="checkbox"/>	<input type="checkbox"/>
HDW-104-50	Package of 50 Pan Head Phillips #12-24 x 1/2" screws Type 23, Black	<input checked="" type="checkbox"/>	<input checked="" type="checkbox"/>	<input checked="" type="checkbox"/>	<input type="checkbox"/>	<input checked="" type="checkbox"/>
WS-22	66/110 Block Mounting Panel	<input checked="" type="checkbox"/>	<input checked="" type="checkbox"/>	<input checked="" type="checkbox"/>	<input checked="" type="checkbox"/>	<input checked="" type="checkbox"/>

* Will not fit GL2418WM

When installing a Great Lakes wall-mounted rack enclosure to materials such as wood, cinder block, concrete, etc., please consider the load capacity within the wall mount structure, and be certain to check with local authorities to determine the appropriate hardware requirements for these conditions. Because wall compositions may vary at different installation sites, Great Lakes cannot warrant the fitness or suitability of any installation instructions or installation hardware it may provide for wall-mount rack enclosures. Great Lakes hereby **DISCLAIMS ALL WARRANTIES, EXPRESS AND IMPLIED, INCLUDING THE IMPLIED WARRANTIES OF MERCHANTABILITY AND FITNESS FOR A PARTICULAR PURPOSE, REGARDING THE SUFFICIENCY, FITNESS OR SUITABILITY OF ANY INSTALLATION INSTRUCTIONS OR INSTALLATION HARDWARE GREAT LAKES MAY PROVIDE FOR WALL-MOUNTED ENCLOSURES.** Great Lakes recommends that an experienced maintenance and/or technical person be consulted regarding the proper wall-mounting hardware and procedures to be used for the anticipated load capacity of the wall-mounted rack enclosure.

Product specifications are subject to change without prior notice.

Great Lakes Case & Cabinet Co., Inc.

P.O. Box 551 • Edinboro, PA 16412
 1-866-TRY-GLCC • (1-866-879-4522)
 Phone: 814.734.7303
 Fax: 814.734.3907

WeRackYourWorld.com



Invest in Solid Engineering

Thank you for your business!

we pack
your
world!™



ETSI Associate Member