



Product description

Compact, functional design, modern environment-neutral design in aluminium. Surface of the counter plate with 6 mm adjustment facility.

Thanks to its compact design and problem-free installation, the electric strike is particularly suited for all-glass doors with overhead lighting or glass side sections. No complicated tools for installation – simply stick in place (the special adhesive is included with every electric strike). The aluminium masonry box can be used for two electric strike versions: fail-locked and fail-unlocked. Modern, neutral design of the electric strike fitting. This consists of an electric strike section and a counterpart with identical dimensions.

Overview of Advantages

- Can be mounted DIN right or left by turning over 180°

Scope of delivery

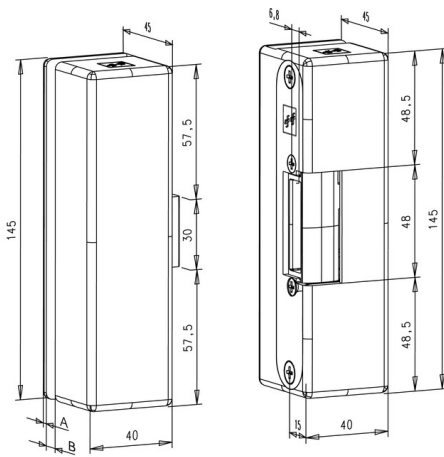
- 1 electric strike, including housing

Technical data

DIN-direction	universal
Fail-unlocked	Yes
Rated operating voltage tolerance range	± 1 V
Rated resistance	62 Ohm
Current consumption DC (50% Residual ripple)	185 mA
DC-power consumption (stabilised)	195 mA
Glas door thickness	15 mm
Break-in resistance	6500 N
Height	145 mm
Operating temperature range	-15 °C to +40 °C
Installation position	Vertical and horizontal

Article number 9334VGL15---E91

EAN 4042203364721



Glasstärke

Variable Maße	8	9	10	11	12	13	15
A	5	4,5	4	3,5	3	2,5	2
B	8,1	9,1	10,1	11,1	12,1	13,1	15,1