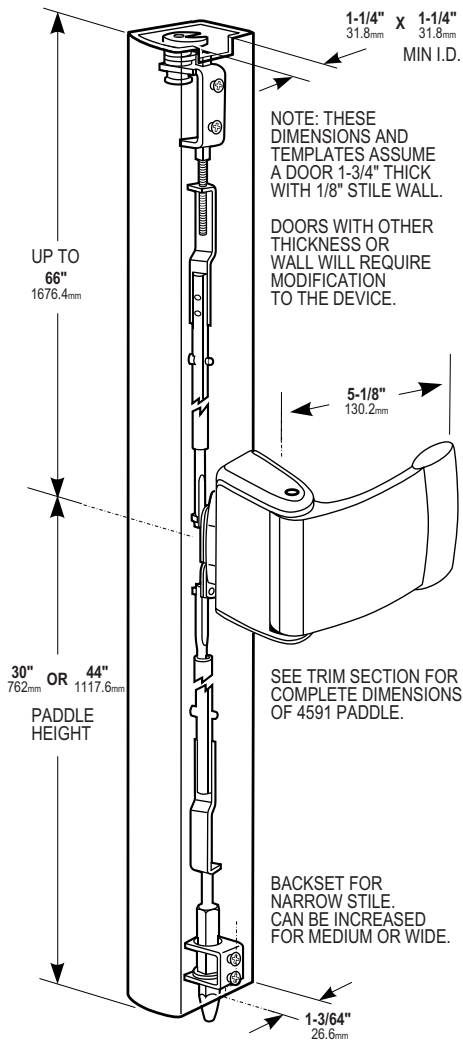
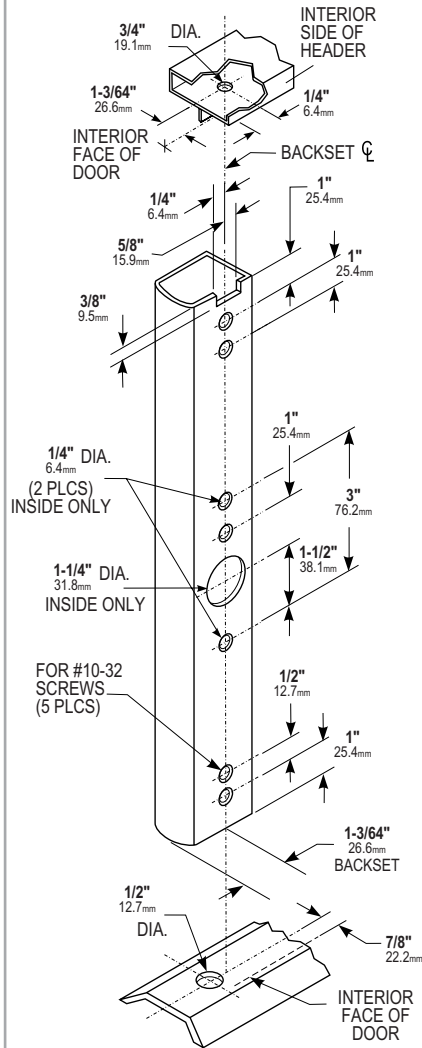


All measurements are approximate and are provided for informational purposes only. Refer to the product Installation Instructions.

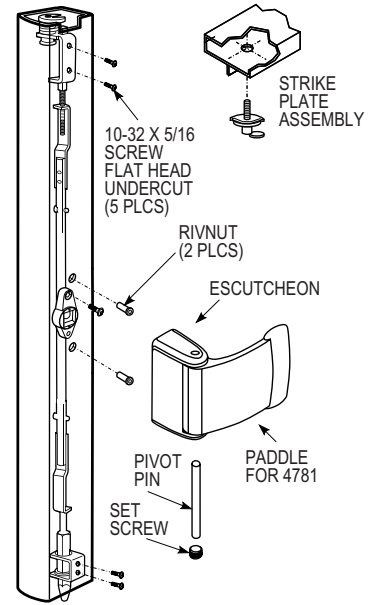
Dimensions



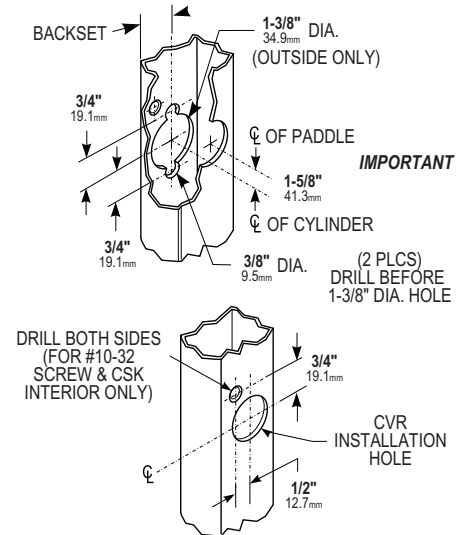
Door Preparation



Installation



Door Preparation WITH 8650 ESCUTCHEON*



*Other cylinder escutcheons for use with 17mm profile cylinders (in 44 or 55mm thick doors only) are also available and require different door prep than shown.

HOW TO ORDER 4781 TWO-POINT DEADLATCH Specify quantity and the following information. Order related products separately.

Product no.	OPERATION	PADDLE FINISH
4781	T -021	-628
T Top rod only	021 Push to LEFT	313 Dark Bronze Anodized US3 Bright Brass
- Standard rod	041 Push to RIGHT	335 Black Anodized US26 Bright Chrome
		628 Clear Anodized US26D Satin Chrome

RELATED PRODUCTS When purchasing this product, please consider the following related products, available separately:

Accessories

- 8650 Cylinder Escutcheon.
- 8655 Tall Door Kit.

Cylinders

- 4781 Two-Point Deadlatch is operable by any standard 1-5/32" diameter mortise cylinder with MS® cam.
- 4036 Mortise Cylinder.

Special Order Options

- 3080 Entry Trim.

Options & Accessories for Flushbolts

Adams Rite Flushbolts can be ordered with a variety of related products including strike plates, trim and cylinder accessories and compatible products such as Adams Rite deadlocks. Please see product pages for more information on all available flushbolt types, functions, installation requirements and complete How-to-Order guides.

For more detailed information on any of the products listed below please refer to the corresponding section of this catalog.

Accessories

4000 SERIES MS DEADLOCK STRIKES

4000 surface mounted strike plate, 4001 strike plate with dust box, 4005 threshold strike, 4006 floor strike, or 4505 armored strike add aesthetics and finish to strike cutouts in jambs.

8650 CYLINDER ESCUTCHEON

If key entry operation is required for 4781 Two-Point Deadlatch with Paddle, any standard mortise cylinder with MS cam can be installed outside through an 8650 Cylinder Escutcheon.

Deadlocks

MS1880, MS1881 Two-Point Flushbolts and MS2180 Auto-Release Two-Point Flushbolt **MUST** be installed in conjunction with a pivoted bolt MS deadlock. See DEADLOCKS section of this catalog for information on all available types and functions including complete How-to-Order guides for Adams Rite Deadlocks including the MS® Maximum Security Deadlocks.

Cylinders

4036 MORTISE CYLINDER

The 4036 Mortise Cylinder is a standard 1" long, 1-5/32" diameter cylinder that provides five-pin security with most Adams Rite locks or latches.

4066 THUMBTURN

The 4066 Thumbturn interchanges with standard 1-5/32" diameter mortise cylinder and operates locks or latches without a key.

MS4043 CYLINDER GUARD

The MS4043 Cylinder Guard is a hardened-steel, free-swiveling ring to protect cylinder from vandalism such as prying or twisting.