

5MP IR Vandal Dome Camera

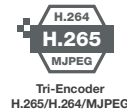
5 Megapixel (MP) H.265/H.264 All-in-One Fixed Lens True Day/Night Indoor/Outdoor Dome IP Camera with True Wide Dynamic Range (T-WDR), Digital Noise Reduction (DNR), and Backlight Compensation (BLC)



The CDI5D28VIW DirectNET Dome camera provides high quality video at 5 megapixel resolution. The infrared LEDs provide illumination for clear image quality at night. The advanced H.265 codec allows for smaller recording file sizes and lower transmission bandwidth on your network.

Costar's DirectNET cameras have true plug-and-play capability with the StarNET XD1 20 and 25 Series, StarNET PRO recorders, and are compatible with

StarNET Video Management Software (VMS). StarNET is the remote access software that allows users to remotely view live and recorded video. StarNET incorporates features such as advanced event notification, map monitoring, system status monitoring and many more. Costar's DirectNET cameras are ONVIF supported. ONVIF is an industry standard that ensures interoperability between IP-based security products regardless of brand.



Series Features

- 5MP (2594 x 1944) Resolution
- 1/2.8" CMOS Progressive Scan image sensor
- 2.8mm Fixed Lens
- True day / night with IR cut filter
- 4 IR LEDs with a 98.4ft (30m) Range
- DirectNET protocol
- MicroSD memory card supported
- Back Light Compensation (BLC)
- Digital Noise Reduction (DNR)
- True Wide Dynamic Range (T-WDR)
- Multiple compression (H.265, H.264, MJPEG)
- IP67 weatherproof rated with heater
- IK10 vandal resistant housing
- Power over Ethernet (PoE)
- NDAA Compliant

Camera Imaging Specifications

| | | |
|--|-------------------------------------|--|
| Model | CDI5D28VIW | |
| Image Sensor | Sony IMX335 CMOS Progressive Sensor | |
| Optical Format | 1/2.8" | |
| Minimum Illumination | Color (Day Mode) | 0.15 Lux @ F2.0 |
| | B/W (Night Mode) | 0 Lux (IR LED On) |
| Full FOV Resolution | 2592 H x 1944 V | |
| Scaling (See Scaling Resolutions Below) | Yes | |
| IR Illumination | Yes | |
| Dynamic Range | 120dB (True WDR) | |
| Frame Rates* | Single Stream | Up to 30fps (5MP) |
| Lens | Fixed Iris | 2.8mm, F2.0, H-FOV = 104.8°, V-FOV = 76.9°, D-FOV = 130°, IR Corrected |

Programmability

| | |
|---------------------------------|--|
| Optics | Fixed-focal |
| S/N Ratio | More than 45dB |
| Noise Reduction | 3D Noise Reduction |
| Electronic Shutter Speed | Auto / Manual (1/30 ~ 1/10,000), Anti-Flicker, Slow Shutter (1/7.5, 1/15) |
| Privacy Masking | 8 Zones |
| Mirroring / Pivot | Horizontal / Vertical / Pivot |
| Backlight Compensation | Off / On |
| Scaling | 4:3: 2592x1944, 1920x1440, 1280x960x 640x480 16:9: 2592x1456, 1920x1080, 1280x720, 640x360 |
| Wide Dynamic Range | 120dB True WDR |
| Image Settings | Exposure, White Balance, Self-Adjusting Video Mode (Sharpness, Contrast, Colors, Brightness Control) |
| Intelligent Video | Video Motion Detection, Active Tampering Alarm, Trip Zone |
| On-Screen Display (OSD) | Date / Time / Custom Text |

Data Transmission

| | |
|---|--|
| Compression Type | H.265, H.264 (MP), Motion JPEG |
| Compression Level | Basic, Standard, High, Very High |
| Bit Rate Control | Constant Bitrate / Variable Bitrate |
| Recording Session Buffer (NLTSrec) | Yes (Up to 60MB) |
| Intelligent Codec | Supported |
| Motion Adaptive Transmission (MAT) | Off / On |
| Transmission Protocols | DirectNET 2.0 Protocol, IPv4, IPv6, RTP/RTSP/TCP, RTP/RTSP/HTTP/TCP, RTP/UDP RTSP/TCP, HTTP, HTTPS, FTP, SMTP, FEN, mDNS, UPnP, SNMPv2 |
| Security | SSL Encryption, Multi-user Authority, IEEE 802.1x, IP Filtering, HTTPS |
| Network Interface | 10/100Base-T Ethernet network interface, RJ45 |
| Multi-Streaming | Quadruple |
| Remote Access Client | DirectNET NVR Connection, StarNET Web, StarNET Mobile, StarNET PRO |

Event Management

| | |
|----------------------|---|
| Event Trigger | Motion Detection, Alarm in, Audio detection, Tampering, Trip Zone |
| Notifications | Remote S/W, Email (with Image) |

Compliance

| | |
|----------------------------|---|
| IP Camera Protocols | DirectNET 2.0, ONVIF Profile S conformant |
| Approvals | FCC, CE, KC |
| Mechanical | IK-10, IP67 |

Environmental

| | |
|------------------------------|---------------------------------|
| Operating Temperature | -22°F (-30°C) to + 131°F (55°C) |
| Humidity | 0% to 90% RH |
| Boot-Up Temperature | 32°F (0°C) to + 131°F (55°C) |

General Electrical

| | |
|---------------------------|---------------------------------------|
| Alarm Input/Output | 1 TTL input / 1 open collector output |
| Power | PoE IEEE 802.3af (Class 3) |
| Power Consumption | PoE 7.6W |

IR Illuminator

| | |
|----------------------------|------------------|
| LEDs | 4pcs |
| Projection Distance | 98.4ft (30m) max |

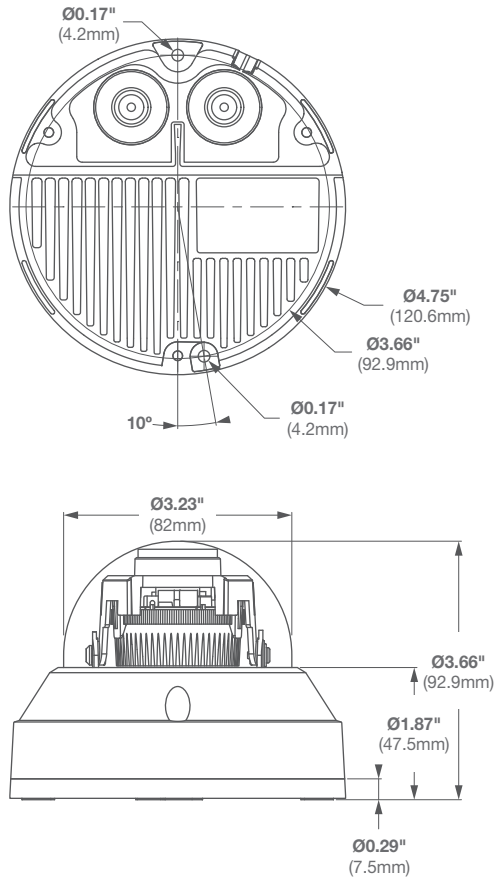
Audio Electrical

| | |
|---------------------|--|
| Streaming | Two-way |
| Compression | ADPCM 16K, G.726, G.711 μ-Law, G.711 a-Law |
| Input/Output | Line in / Line output |

Mechanical

| | |
|------------------------------------|--|
| Casing | IP67 weather proof standard |
| | Impact resistant, IK-10 rated |
| Gimbal | 3-axis camera adjustment with -170°~ 170° pan, -5°~ 67° tilt, and -109°~ 109° rotation |
| Dimensions (See Dimensions) | Unit Ø 4.75" (120.6mm) x 3.66" H (92.9mm) |
| Weight | Unit 1.06lbs (0.48kg) |
| On Board Storage | MicroSDXC slot up to 512GB (card not included) |

Dimensions



Model Numbers

| | | |
|------------|------------|------------|
| 5MP | CDI5D28VIW | WDR |
|------------|------------|------------|

Accessories (Sold Separately)

| | |
|-----------------|--------------|
| CDJBD15 | Junction Box |
| CDMPMD13 | Pole Mount |
| CDMWMD13 | Wall Mount |