



M680EBDCX w/REX and BW Camera

**The Smart, Versatile and
Eco-Friendly Magnalock[®]**

M680E SERIES

With EcoMag Technology

Advanced Features, Easy to Install, Energy Efficient

The new M680E with EcoMag technology from Securitron delivers the same unsurpassed intelligence, style and convenience as the previous M680 series, but with up to 80% reduction in energy consumption.

Smart. Built-in door prop sensing allows the magnet to de-energize the coil when the door is held open for extended periods, dropping the power draw as low as 20mA at 24V.

Strong. Increased holding force of 1,200 lbs adds an increased level of security to the access point.

Versatile. Integrated PIR Request to Exit, as well as a black and white or color camera are available options for this new magnalock, providing the flexibility to customize as needed.

Eco-Friendly. With up to 80% lower energy consumption, the M680E is the most eco-friendly magnalock available today.

M680E SERIES

With EcoMag Technology

Certifications:

- UL 10C Fire Rated, 1 hour
- CAN/ULC-S104 fire door conformant
- UL 1034 burglary-resistant listed
- UL 294 recognized component
- ANSI/BHMA A156.23, Grade 2; E18501
- California State Fire Marshall listed
- Patents: 8,094,017, D690,76 & D682,655
- Patents Pending

Holding Force:

1,200 lbs [544kg]

Dimensions:

Magnalock:

11-1/2" L x 2-1/2" D x 2-1/2" H

Strike:

10-7/8" L x 9/16" D x 2" H

Operating Temperature:

+32 to +110F [0 to +43C]

Indoor use only

Finishes:

US28/628 – Satin Aluminum Clear (Standard)

605 – Bright Brass

606 – Satin Brass

612 – Satin Bronze

613E – Dark Oxidized Satin Bronze

BSP – Black Suede Powder Coat

WSP – White Suede Powder Coat

Current

(±10% at 12VDC / 24VDC):

M680EBD

Average Power Draw

113mA / 52mA

Maximum Power Draw

520mA / 360mA

M680EBDC

Average Power Draw

245mA / 177mA

Maximum Power Draw

645mA / 490mA

M680EBDC2

Average Power Draw

203mA / 142mA

Maximum Power Draw

600mA / 450mA

M680EBDC2X

Average Power Draw

229mA / 159mA

Maximum Power Draw

625mA / 465mA

M680EBDCX

Average Power Draw

271mA / 194mA

Maximum Power Draw

665mA / 500mA

M680EBDX

Average Power Draw

139mA / 69mA

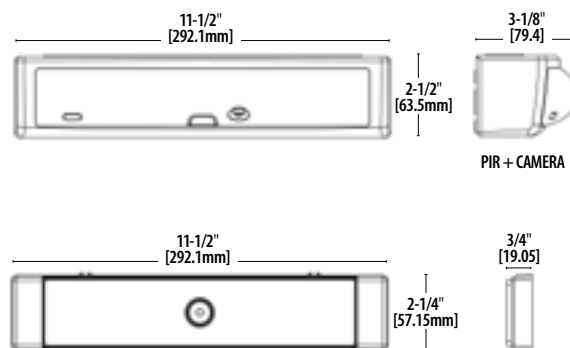
Maximum Power Draw

545mA / 380mA

**A separate continuous power input is required to power the camera and REX*

AVAILABLE M680E SERIES MODELS INCLUDE:

Part #	Description
M680EBD	M680E with BondSTAT, Door Position Switch (DPS), LED Indicator and Tamper Sensor
M680EBDC	M680E with BondSTAT, Door Position Switch (DPS), LED Indicator, Tamper Sensor and B/W Camera
M680EBDC2	M680E with BondSTAT, Door Position Switch (DPS), LED Indicator, Tamper Sensor and Color Camera
M680EBDX	M680E with BondSTAT, Door Position Switch (DPS), LED Indicator, Tamper Sensor, and Request to Exit (REX) Motion Detector
M680EBDCX	M680E with BondSTAT, Door Position Switch (DPS), LED Indicator, Tamper Sensor, Request to Exit (REX) Motion Detector and B/W Camera
M680EBDC2X	M680E with BondSTAT, Door Position Switch (DPS), LED Indicator, Tamper Sensor, Request to Exit (REX) Motion Detector and Color Camera



» Beautifully Designed

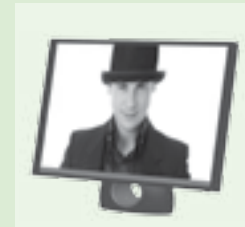
By accentuating curved lines, architectural finishes and a low profile, EcoMag has deviated from the usual bulky, brick-like industrial maglock design. Architects and designers will appreciate the strength and durability of magnetic access control in a sleek and beautiful package.

PRODUCT FEATURES

- 1,200 lbs holding force
- Up to 80% reduction in energy consumption
- Door prop sensing allows the magnet to de-energize the coil, dropping power draw as low as 20mA at 24V
- Strike plate mounting template ensures rapid strike alignment
- LED Indicator shows the lock is secure, open, or has an incomplete bond as well as error codes for troubleshooting
- Tamper Switch sends an alarm output if the cover is removed and is selectable to NO or NC
- BondSTAT and integrated Door Position Switch
- Autosensing dual voltage with microprocessor technology
- Adjustable automatic relock timer (0 to 30 seconds)
- Wire chamber anti-tamper switch
- Size optimized for use with door closers
- MagnaCare® lifetime replacement, no fault warranty

Optional Integrated Video Surveillance Camera Features:

- Analog black/white CCTV camera (M680EBDC)
 - › 112 degree view angle
 - › 420 TV line resolution
 - › 48db S/N ratio
 - › LUX minimum illumination day/night operation
 - › Supports 2-wire or BNC connection
- Analog color CCTV camera (M680EBDC2)
 - › 112 degree view angle
 - › 520 TV line resolution
 - › 48db S/N ratio
 - › 1.5 LUX minimum illumination day/night operation
 - › Supports 2-wire or BNC connection



As viewed from the security video screen



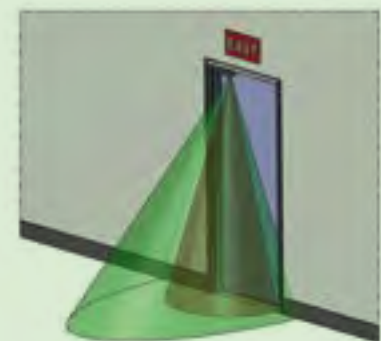
Embedded CCTV captures full facial view of persons exiting door

MOUNTING ACCESSORIES

- ASB-680 - Aluminum Spacer Bracket, M680
- CWB-680 - Concrete/Wood Header Bracket, M680
- GDB-680E - Glass Door Bracket, M680E
- GDHB-680 - Glass Door Header Bracket, M680
- SFP - Stop Filler Plate (1/4", 3/8", 1/2", 5/8")
- UHB - Universal Header Bracket
- HEB - Header Extension Bracket
- DCP-12X3 - Strike Dress Cover Plate, 12" x 3"
- HEB-3G - Header Extension Bracket (for Glass)

Optional Integrated Passive Infrared Motion Detector Features:

- Automatically cuts power to the M680E for egress
- Request to Exit (REX) output
- Automatically adjusts sensitivity based on ambient light
- Easily configurable beam pattern
 - › Adjustable range
 - › Adjustable sensitivity



Adjustable range and sensing zones

Safety note: Securitron recommends an emergency exit button to be used in conjunction with the M680EBDX and M680EBDCX to meet applicable building and life safety codes.



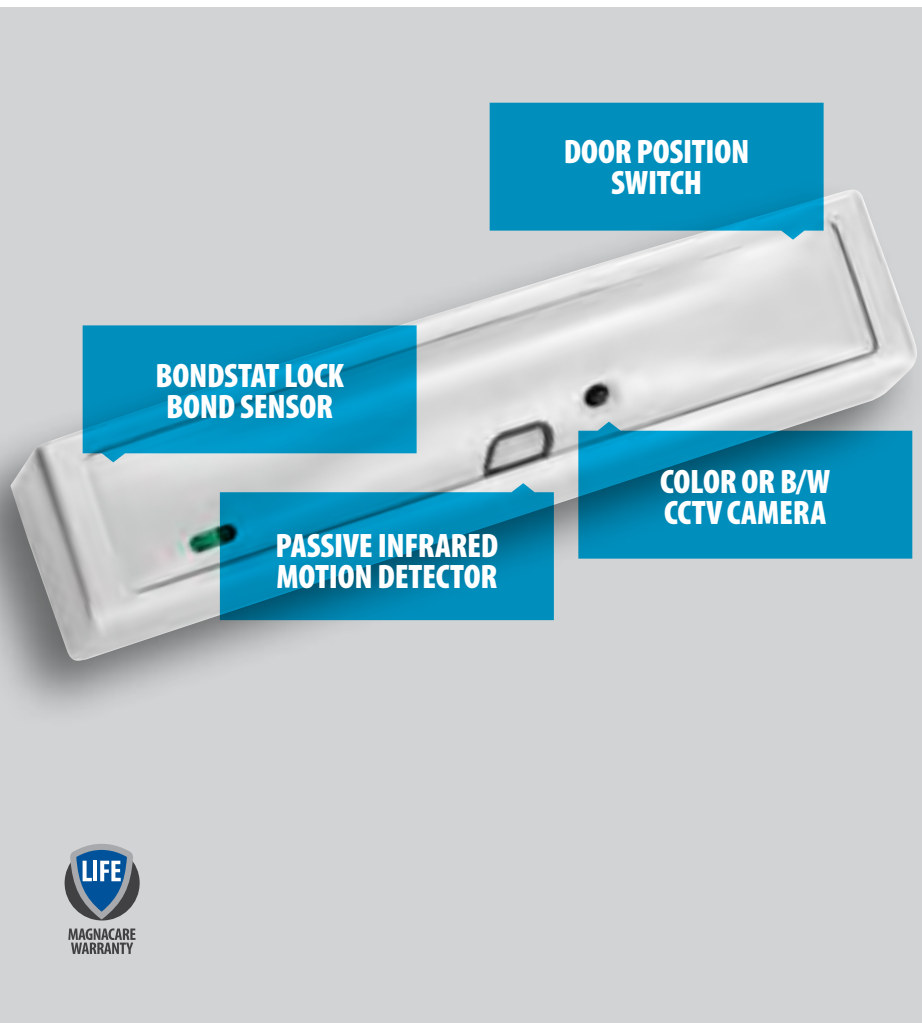
DUAL VOLTAGE



FIRE RATED



LISTED



APPLICATION IDEAS

- Higher security for discreet access control & loss prevention
- Fail safe, high-traffic exits
- Stairwells, vestibules or other interior or protected perimeter outswing doors
- Commercial, retail, healthcare, education and government institutions
- Aesthetically demanding installations like museums and galleries
- Short doorways where maglock protrusion is a concern



» **STRONG**

The Securitron M680E provides an increased 1,200 lbs holding force while still maintaining reduced energy draw, making the EcoMag the most advanced and powerful maglock available on the market today.

» **INTELLIGENT**

The Securitron M680E is designed to recognize that a door has been propped open and is able to adjust power draw accordingly, providing up to 80% energy savings over other maglocks.

» **ECO-FRIENDLY**

Decreased power usage means a smaller energy footprint which results in huge cost savings over the life of the maglock. This also allows the flexibility to use smaller back-up batteries decreasing operating costs.