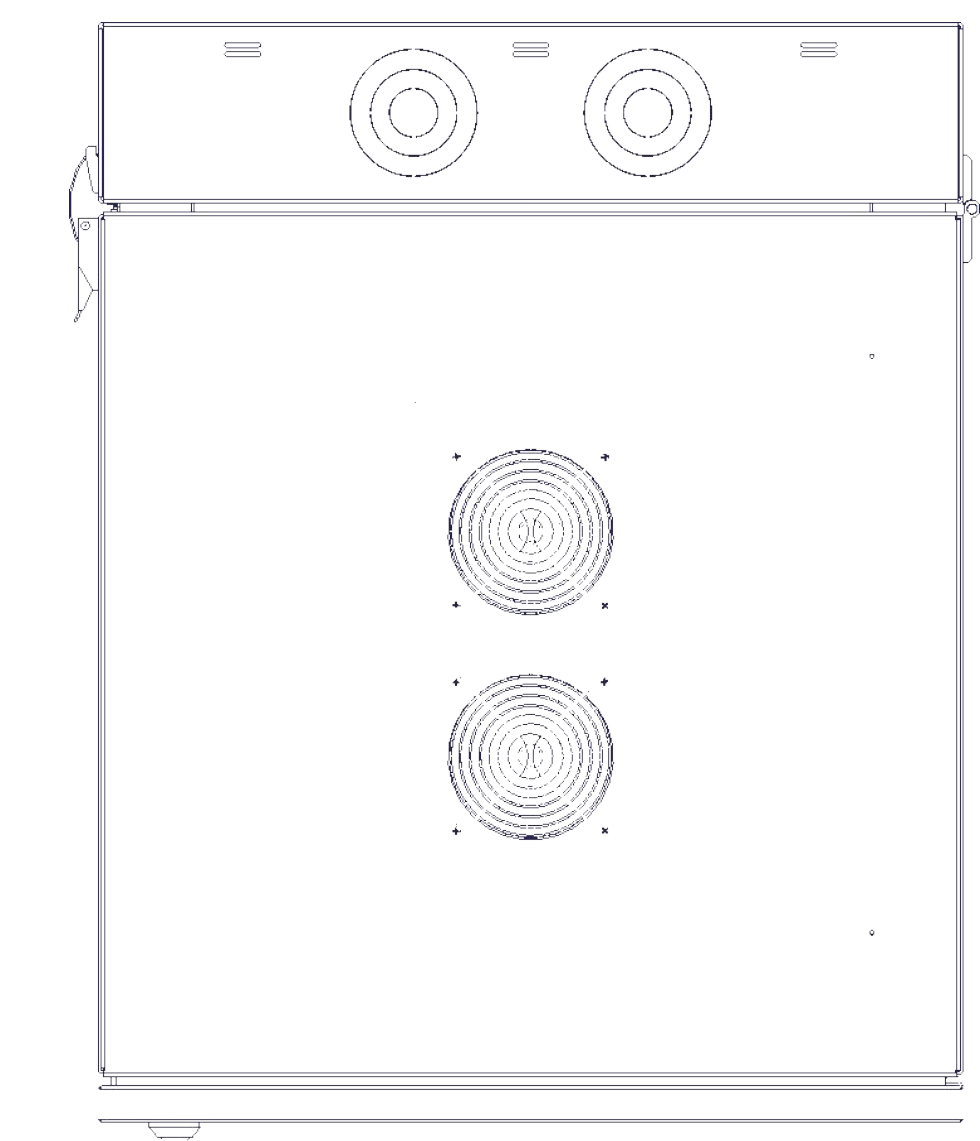
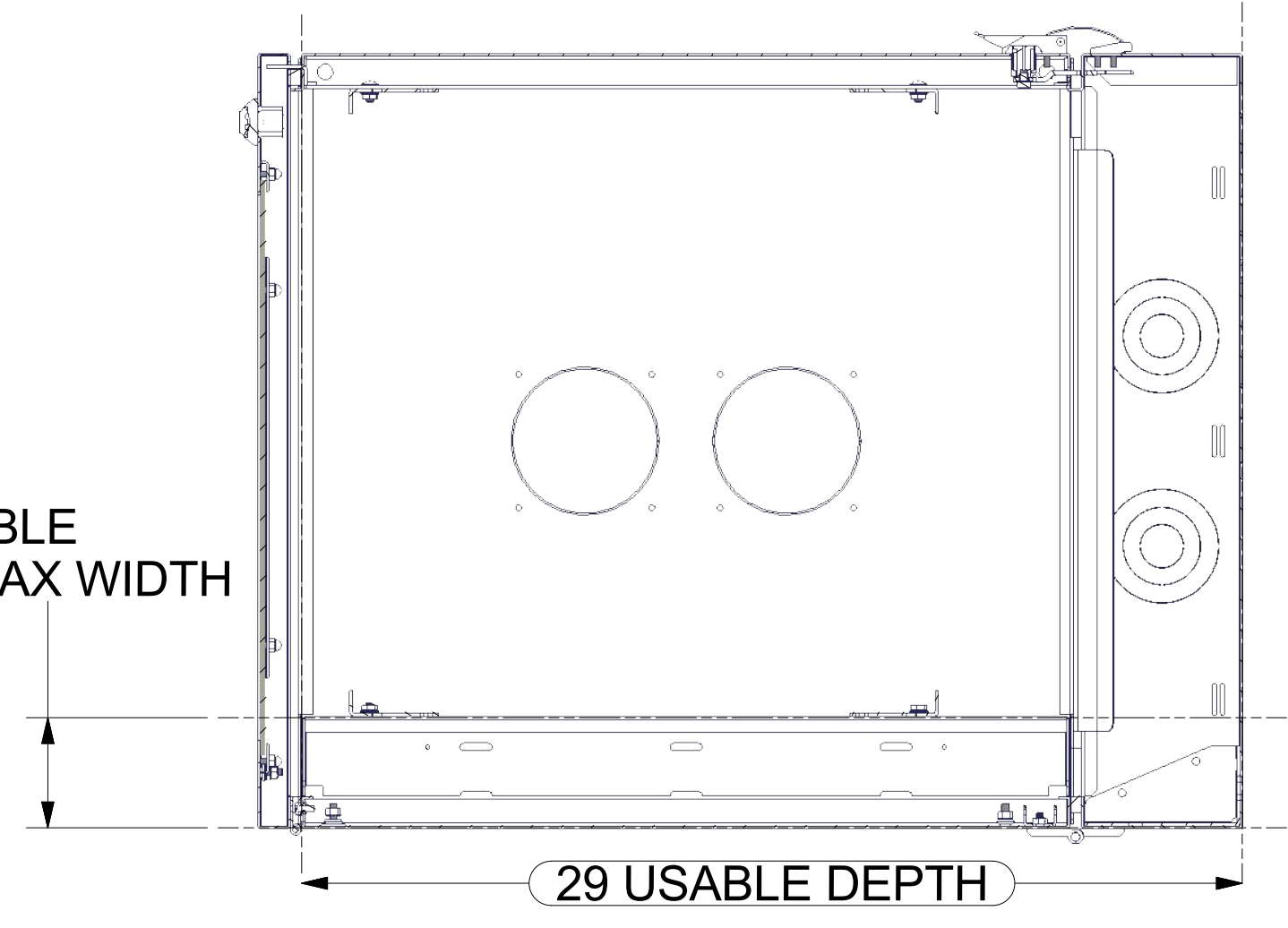


8 7 6 5 4 3 2 1

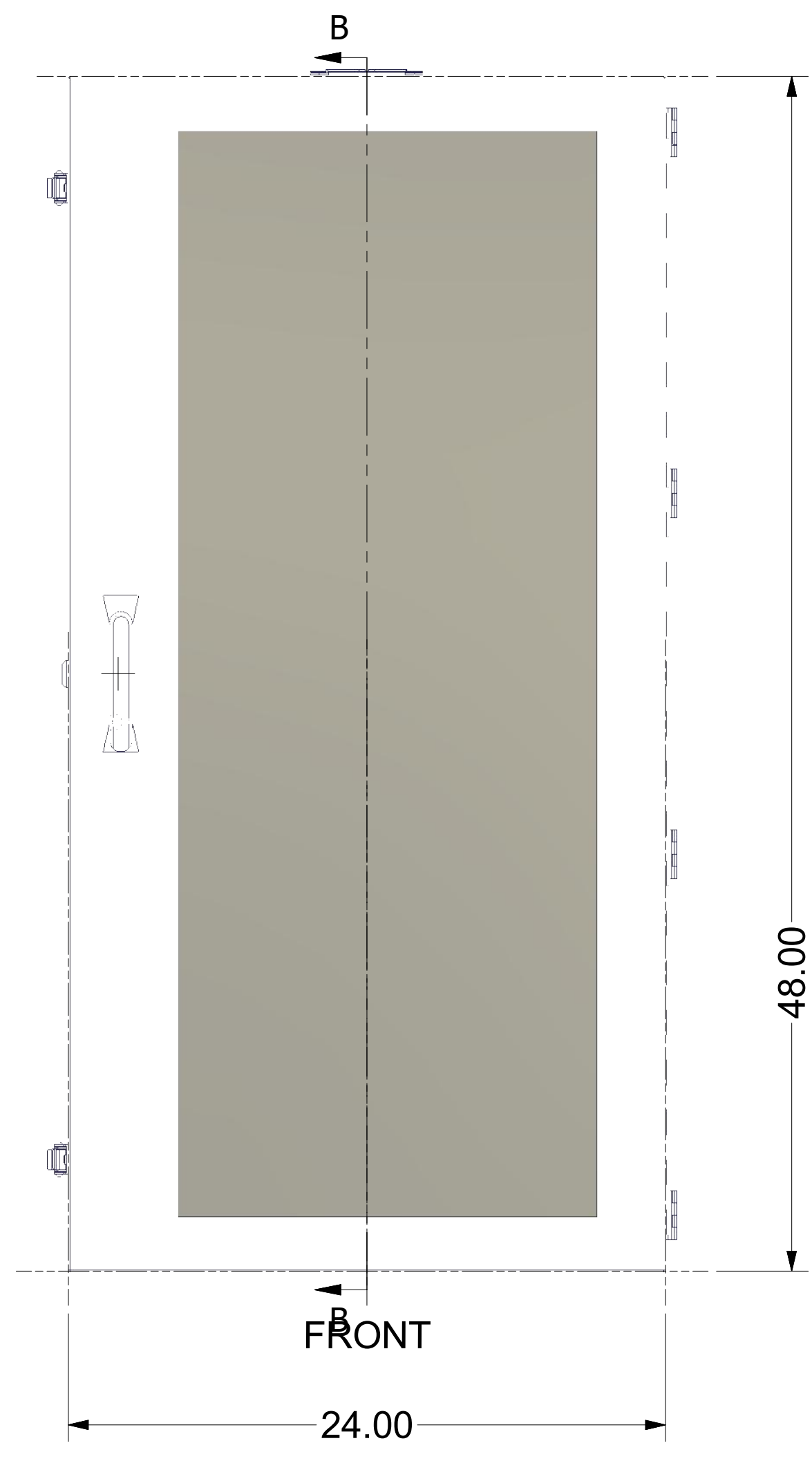


3.41 CABLE AREA MAX WIDTH



29 USABLE DEPTH

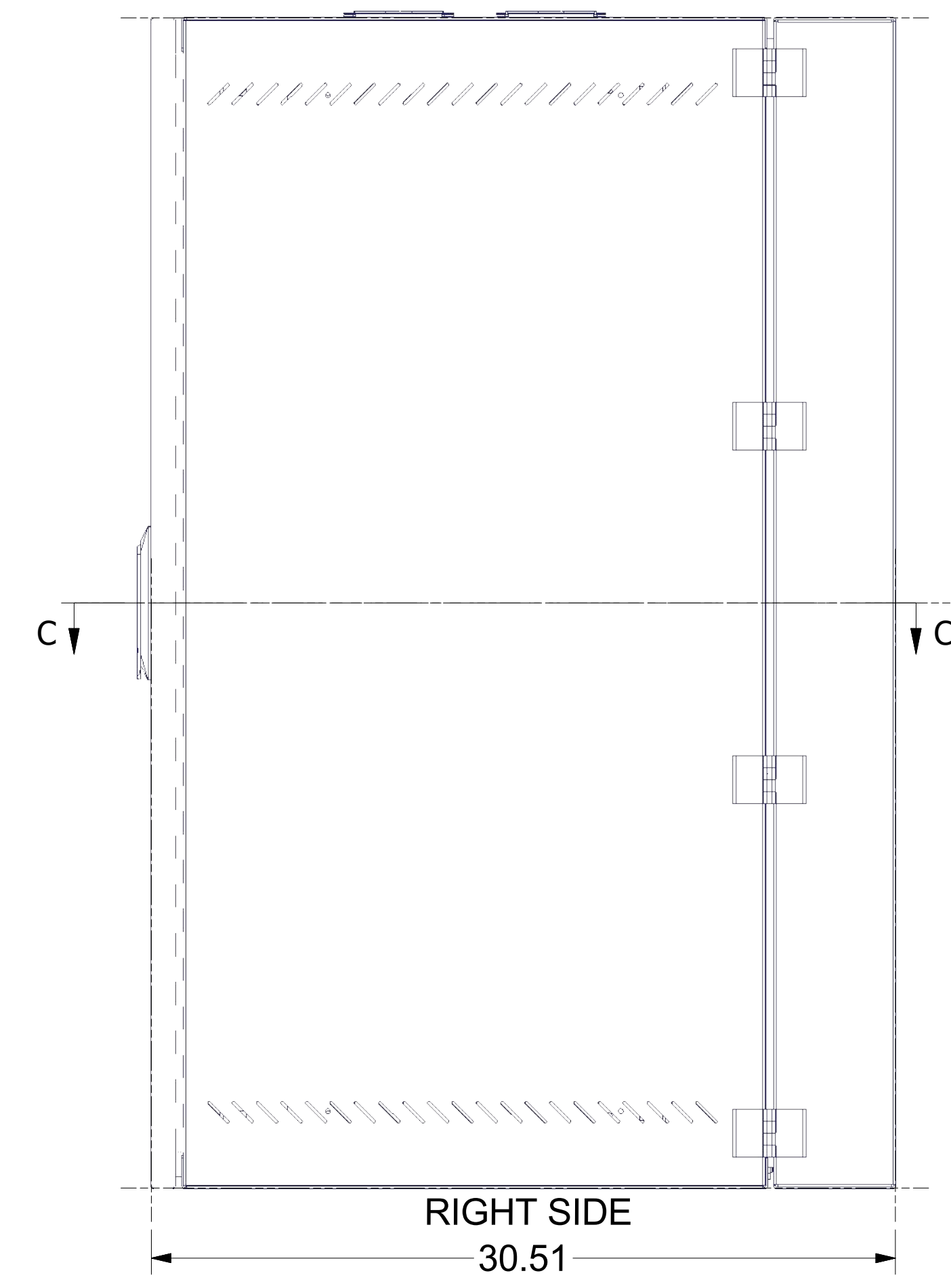
SECTION C-C



FRONT

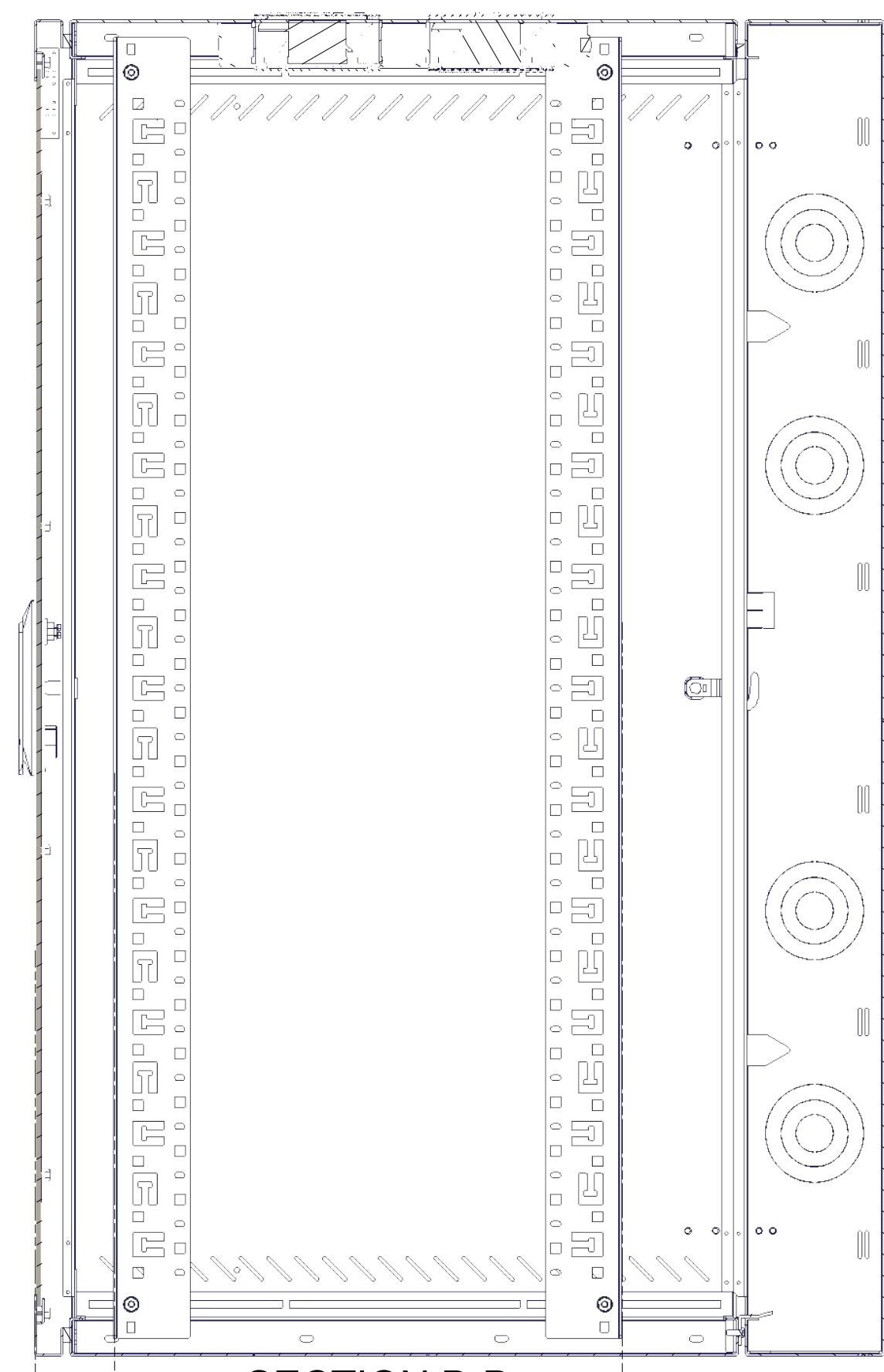
48.00

24.00



RIGHT SIDE

30.51



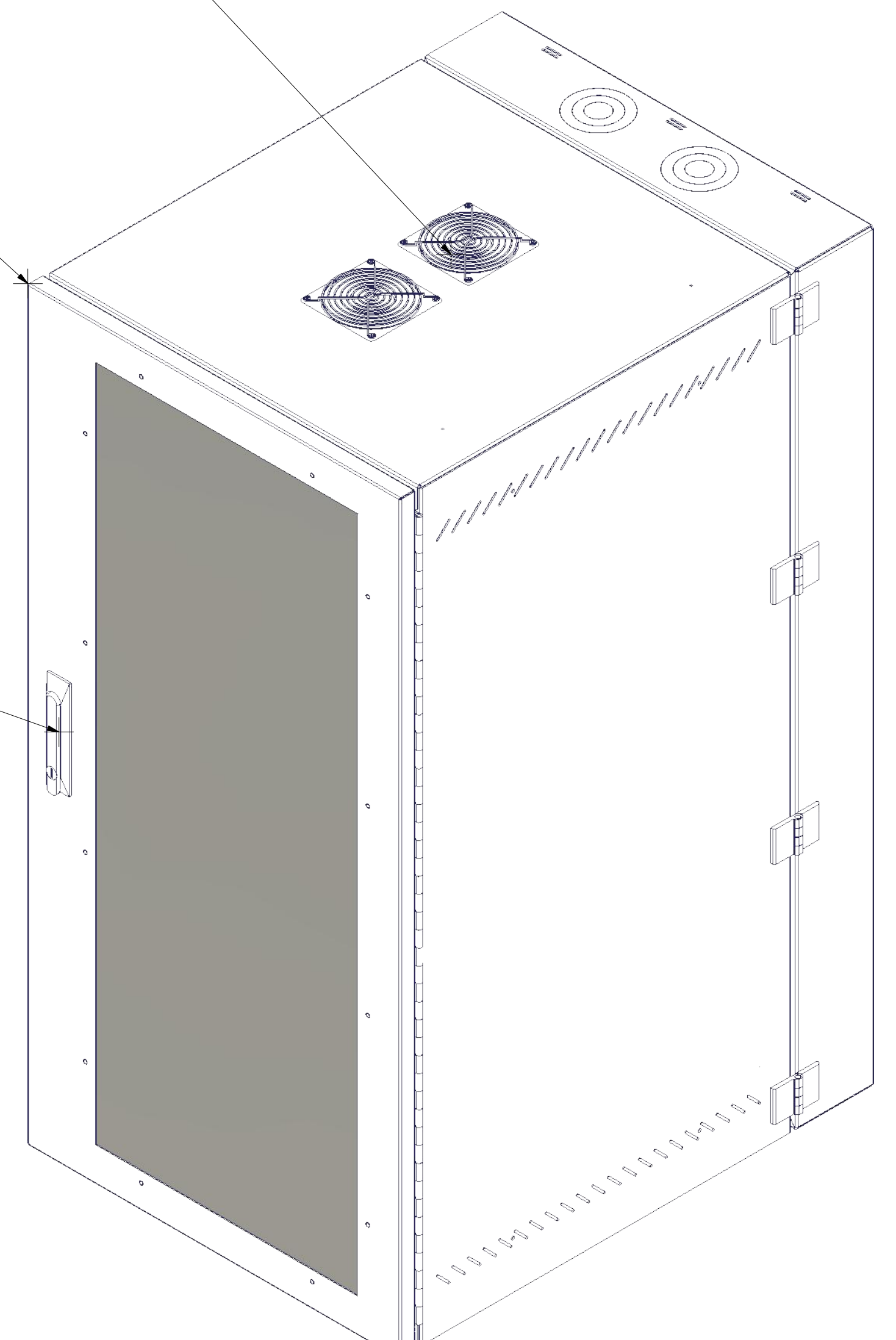
SECTION B-B

2.85 18.25 RAIL TO RAIL

OPTIONAL FAN ASSEMBLY

PLEXI DOOR

STANDARD SWINGHANDLE



SPECIFICATIONS: WMCM WALL MOUNT

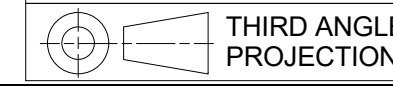
RACK SPACES: 19" EIA 310-E COMPLIANT - 25 RMU

COLOR: BLACK OR WHITE

FEATURES: 2 PAIR OF FULLY ADJUSTABLE #12-24UNC THREADED MOUNTING RAILS, #12 GA. 1", 2", AND 3" CONDUIT KNOCKOUTS ON TOP, BOTTOM AND NON-HANDLE SIDE OF REAR SECTION. DUST KIT IS AVAILABLE. CENTER SWING-OUT SECTION PROVIDES FRONT/ REAR ACCESS TO CABLES. REVERSIBLE CABINET SWINGOUT OPENING FOR LEFT OR RIGHT-HAND.

USABLE DEPTH: APPROXIMATELY 29.00" AS SHOWN

EST. WEIGHT :
N/A



THIRD ANGLE PROJECTION

INTERPRET DRAWING PER ASME Y14.5M-1994
DIMENSIONAL LIMITS APPLY AFTER APPLICATION OF FINISH
DRAWING NOT TO SCALE
TOLERANCE UNLESS OTHERWISE NOTED:
ANGULAR +/- 1°
.XXXX +/- .010
.XXX +/- .015
.XX +/- .030
.X FOR REF. ONLY
UNLESS OTHERWISE SPECIFIED ALL DIMENSIONS ARE IN INCHES

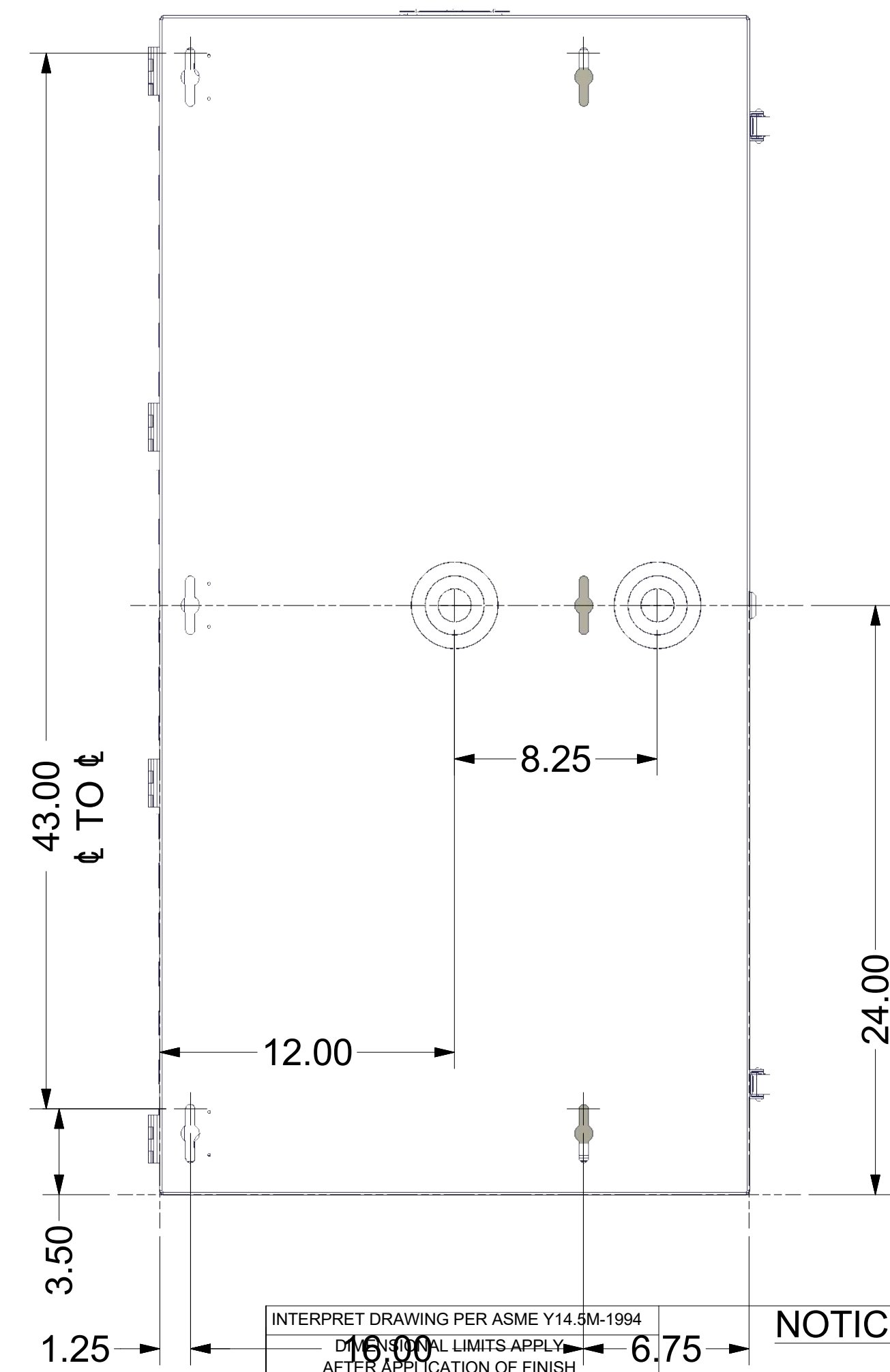
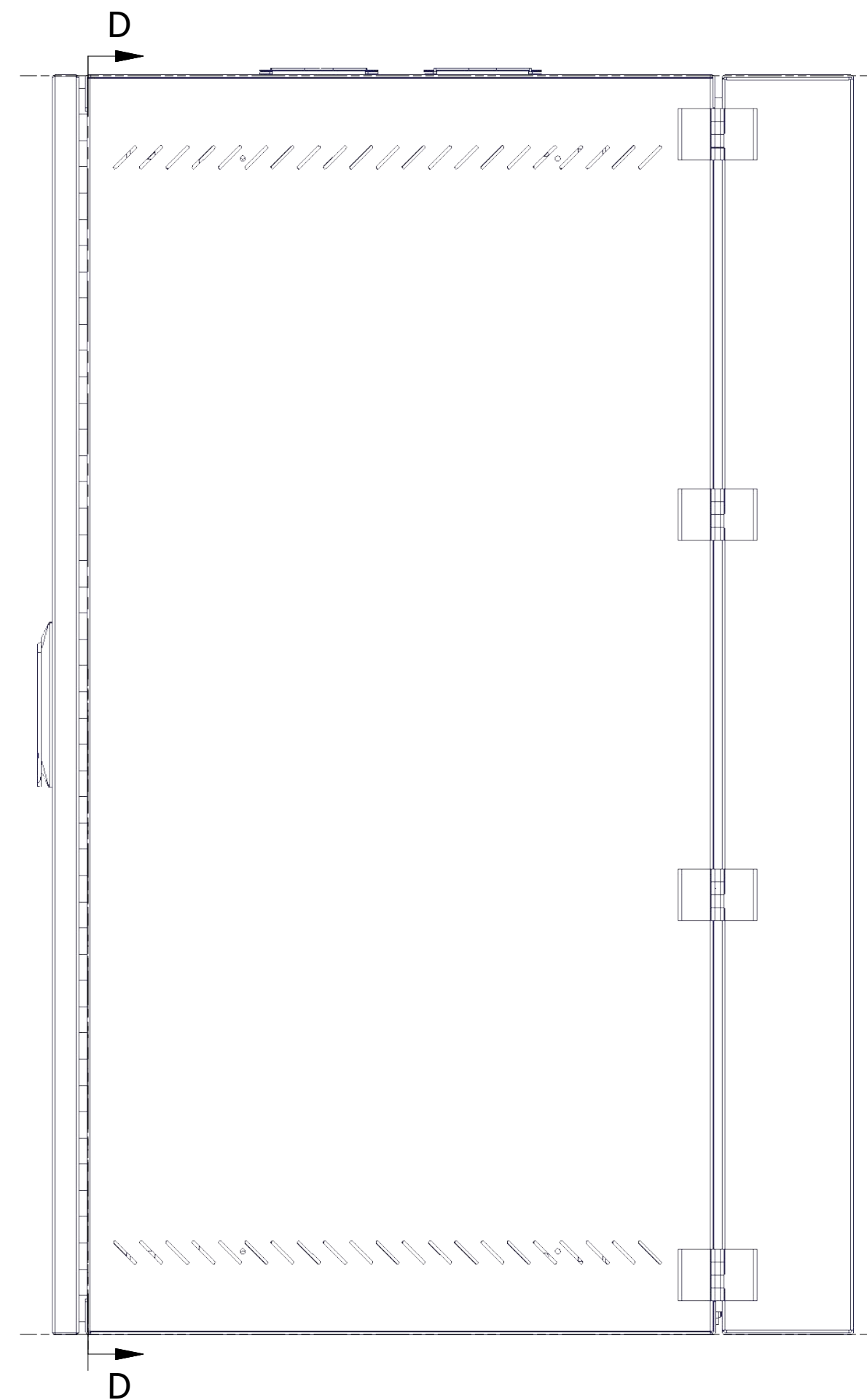
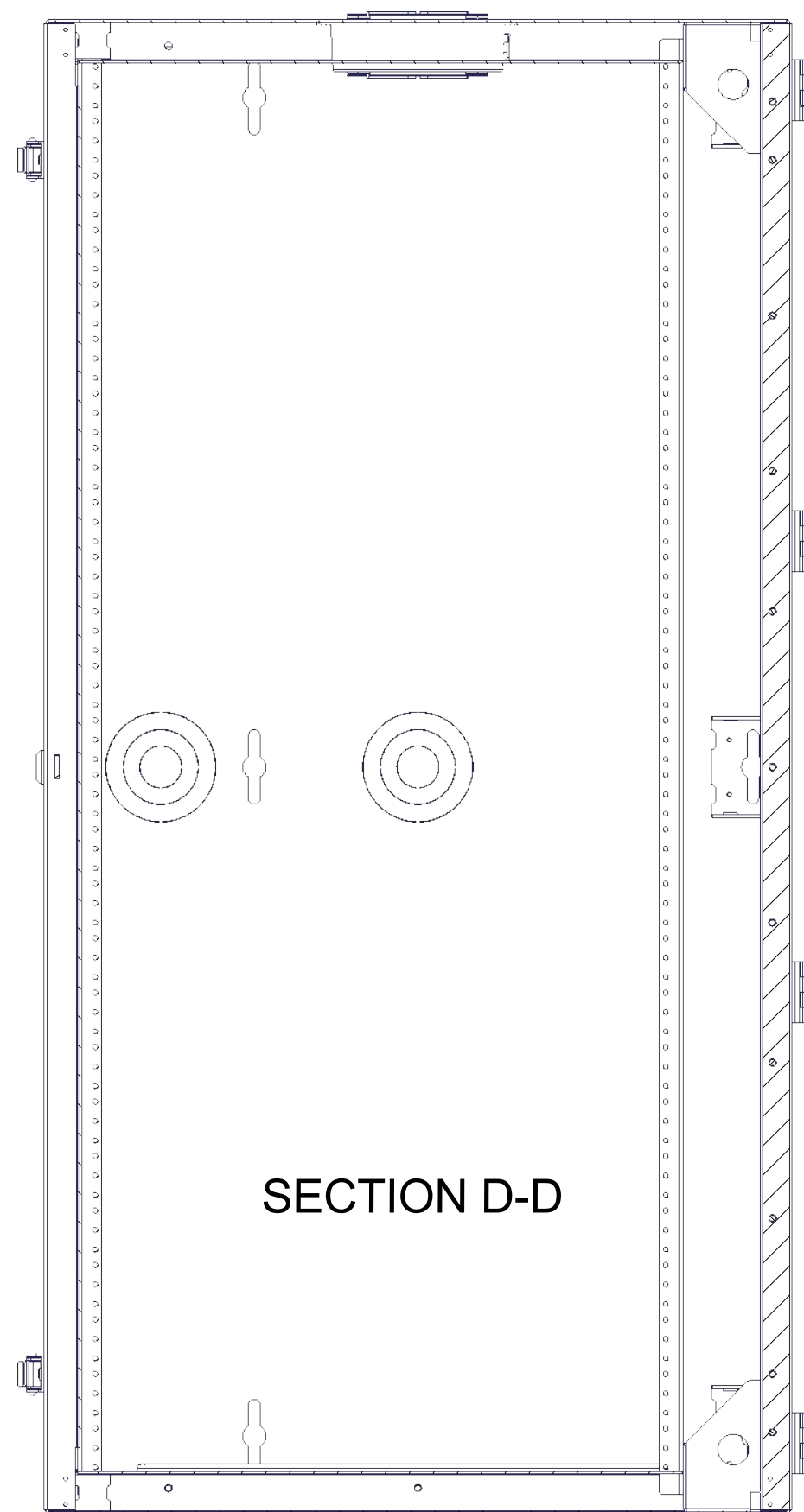
NOTICE:

Use of this document is subject to a confidentiality and nondisclosure agreement with Great Lakes Data Racks & Cabinets and may not be reproduced, disclosed or utilized in whole or in part without prior written authorization from Great Lakes.

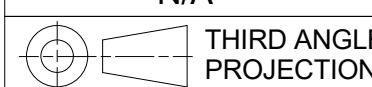
PART NUMBER: GL48WMCM-P-X-SH-AF-00	
MATERIAL TYPE:	
MATERIAL GAUGE:	
FINISH:	
DRAWN TomD	DATE 3/12/2020
CHECKED & APP.	DATE

TITLE 24H x 24W x 30.5D WMCM w/MESH DOOR, SEAL COMBINATION HANDLE, DUAL FAN KIT	
GREAT LAKES DATA RACKS & CABINETS P.O. BOX 551 EDINBORO, PA 16412 PHONE (814) 734-7303 FAX (814) 734-3907 E-MAIL info@greatcabinets.com	
DWG NO: WMCM	REV 0
SHEET: 1 OF 2	

8 7 6 5 4 3 2 1



EST. WEIGHT :
N/A



INTERPRET DRAWING PER ASME Y14.5M-1994
DIMENSIONAL LIMITS APPLY AFTER APPLICATION OF FINISH
DIMENSIONS NOT TO SCALE
TOLERANCE UNLESS OTHERWISE NOTED:
ANGULAR +/- 1°
.XXXX +/- .010
.XXX +/- .015
.XX +/- .030
.X FOR REF. ONLY
UNLESS OTHERWISE SPECIFIED ALL DIMENSIONS ARE IN INCHES

NOTICE:
Use of this document is subject to a confidentiality and nondisclosure agreement with Great Lakes Data Racks & Cabinets and may not be reproduced, disclosed or utilized in whole or in part without prior written authorization from Great Lakes.

PART NUMBER:
GL48WCMCP-X-SH-AF-00
MATERIAL TYPE:
MATERIAL GAUGE:
FINISH:
DRAWN TomD DATE 3/12/2020
CHECKED & APP. DATE

TITLE
24H x 24W x 30.5D WCMC w/MESH DOOR, SEAL COMBINATION HANDLE, DUAL FAN KIT
GREAT LAKES DATA RACKS & CABINETS
P.O. BOX 551 EDINBORO, PA 16412
PHONE (814) 734-7303 FAX (814) 734-3907
E-MAIL info@greatcabinets.com
DWG NO: **WCMC** REV **0** SHEET: 2 OF 2