

5100 and 5300 Series 6-Outlet Surge Protective Strips

TYPE 3 SURGE PROTECTIVE DEVICES



Overview:

Leviton's 5100 and 5300 Series surge protected power strips offer superior protection for any Commercial, Industrial, or Hospital application. Industrial Grade Surge Protection Strips feature metal enclosures, and are ideal for harsh environments and heavy-duty applications. The Hospital Grade Version of Surge Protection Strips feature the same durable construction and metal housings with the added security of tamper-resistant, hospital grade receptacles.

Features:

- 6 surge protected outlets
- Multi-Line protection (L-N, L-G, N-G)
- LEDs indicate power and protection status
- On-board resettable circuit breaker
- 5-Year Limited Product Warranty
- 5-Year Limited Connected Equipment Warranty up to \$25,000
- UL 1449 Listed

5100 AND 5300 SERIES SURGE PROTECTIVE STRIPS

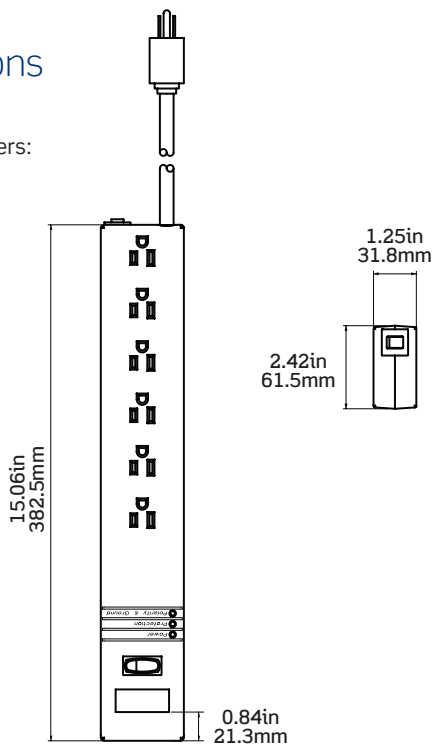
Specifications

Commercial Series

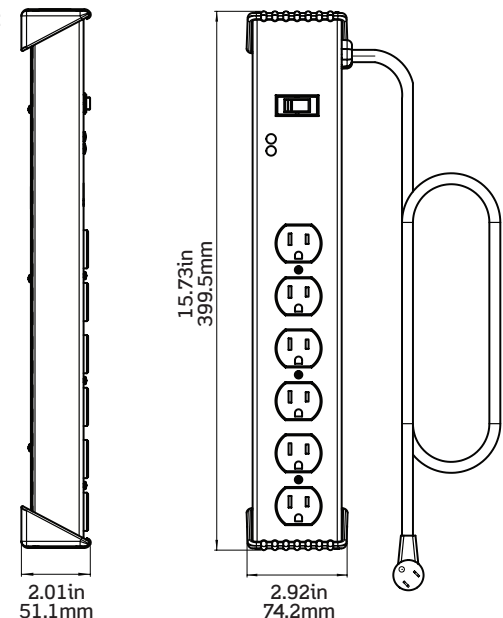
Catalog Number	5100-PS, 5100-S15		5300-PS, 5300-S15	
Electrical				
Current	15 A			
Voltage	125 VAC			
Frequency	50/60 Hz			
Surge Technology	MOV			
Performance Data				
Maximum Continuous Operating Voltage (MCOV)	150 V			130 V
Joules	720 J			1520 J
Maximum Surge Current, Per Mode (L-N)	36 kA			96 kA
Noise Filtering	-5 to -25 dB (@500 K-100 MHz)		-6 to -40 dB (@50 K-100 MHz)	
Voltage Protection Rating (VPR)	L-N	500 V	500 V	
	L-G	600 V	600 V	
	N-G	700 V	500 V	
Material Specifications				
Enclosure	ABS Plastic			
Standards and Certification				
UL 1449	cULus Listed			
ANSI/IEEE Category A,B & C	C62.41.1, C62.41.2 & C62.45			
Warranties				
Product Warranty	5-Year Limited			
Connected Equipment Warranty	Up to \$5,000		Up to \$25,000	

Dimensions

Typical for
Catalog Numbers:
5100-PS,
5100-S15,
5300-PS,
5300-S15



Typical for
Catalog Numbers:
5100-IPS,
5300-IPS



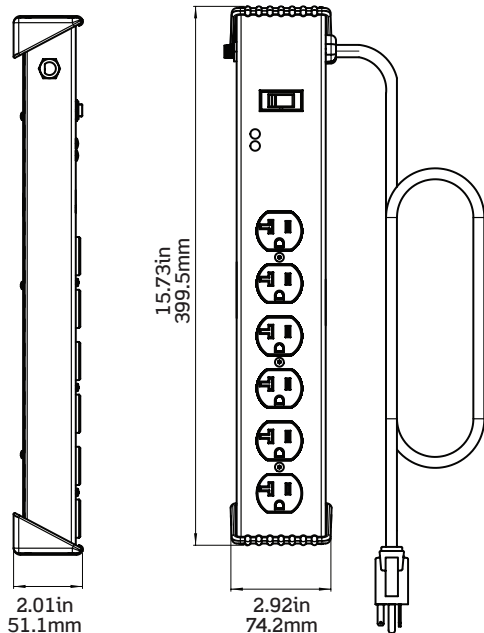
Specifications

Industrial / Hospital Grade Series

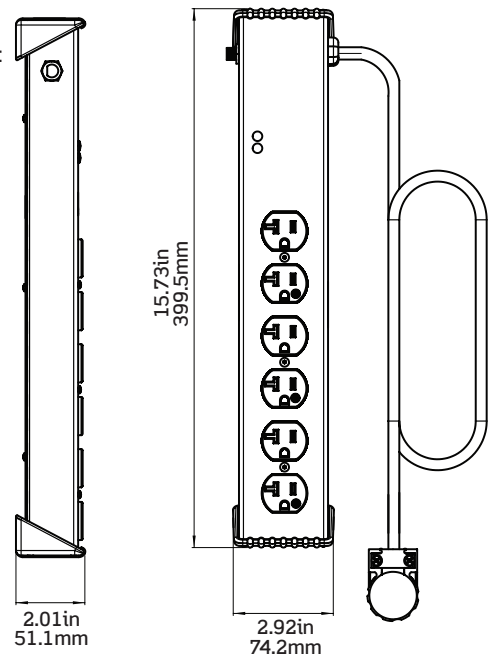
Catalog Number	5100-IPS	5100-IS2	5300-IPS	5300-H15	5300-HTS	5300-HT2
Electrical						
Current	15 A	20 A	15 A	15 A	15 A	20 A
Voltage	125 VAC					
Frequency	50/60 Hz					
Surge Technology	MOV					
Performance Data						
Maximum Continuous Operating Voltage (MCOV)	150 V	150 V	130 V	150 V	150 V	150 V
Joules	1330 J	900 J	1330 J	952 J	952 J	952 J
Maximum Surge Current, Per Mode (L-N)	84 kA	45 kA	84 kA	51 kA	51 kA	51 kA
Noise Filtering	-5 to -25 dB (@500 K-100 MHz)	-6 to -40 dB (@50 K-100 MHz)	-6 to -40 dB (@50 K-100 MHz)	-6 to -40 dB (@50 K-100 MHz)	-6 to -40 dB (@50 K-100 MHz)	-6 to -40 dB (@50 K-100 MHz)
Voltage Protection Rating (VPR)	L-N	600V	600V	500V	500V	500V
	L-G	600V	700V	600V	700V	600V
	N-G	600V	700V	600V	700V	600V
Material Specifications						
Enclosure	Steel					
Standards and Certifications						
UL 1449	cULus Listed					
ANSI/IEEE Category A,B & C	C62.41.1, C62.41.2 & C62.45					
Warranties						
Product Warranty	5-Year Limited					
Connected Equipment Warranty	Up to \$5,000			Up to \$25,000		

Dimensions

Typical for Catalog Numbers: 5100-IS2



Typical for Catalog Numbers: 5300-HTS, 5300-HT2, 5300-H15



5100 AND 5300 SERIES SURGE PROTECTIVE STRIPS

Ordering Information

Type 3 Surge Protective Strip, 6 Outlets, Beige								
Catalog Number	Maximum Input Current	Joules	Audible Alarm at Protection Loss	Enclosure	On/Off Switch	NEMA	Cord Length	
COMMERCIAL	5100-PS	15 A	720 J	—	Plastic	Yes	5-15	6 Feet
	5100-S15	15 A	720 J	—	Plastic	Yes	5-15	15 Feet
	5300-PS	15 A	1520 J	—	Plastic	Yes	5-15	6 Feet
	5300-S15	15 A	1520 J	—	Plastic	Yes	5-15	15 Feet
INDUSTRIAL	5100-IPS	15 A	1330 J	Yes	Metal	Yes	5-15	6 Feet
	5100-IS2	20 A	900 J	Yes	Metal	Yes	5-20	6 Feet
	5300-IPS	15 A	1330 J	Yes	Metal	Yes	5-15	6 Feet
HOSPITAL	5300-H15	15 A	952 J	—	Metal	—	5-15	15 Feet
	5300-HTS	15 A	952 J	—	Metal	—	5-15	6 Feet
	5300-HT2	20 A	952 J	—	Metal	—	5-20	6 Feet

Commercial



Industrial



Hospital Grade



Visit our Website at:
www.leviton.com/surge
 email: commercial@leviton.com

Q-672A

110521

Leviton Manufacturing Co., Inc.
 201 N Service Rd, Melville, NY 11747
 Telephone: 1-800-323-8920 • FAX: 1-800-832-9538
 Tech Line: 1-800-824-3005 (M-F 8AM-10PM; Sat 9AM-7PM; Sun 9AM-5PM)

© 2021 Leviton Manufacturing Co., Inc. All rights reserved.

