

SMART Series HD Analog Encoder

TF-ENC08E | TR-ENC16E



The Turing Smart Series encoders add the flexibility of bringing third-party analog cameras on to the TURING VISION® cloud VMS. A hybrid system of analog and IP cameras can now coexist on the TURING VISION® desktop and mobile apps.

KEY FEATURES

- Converts HD analog camera signals into IP
- Supports CVBS, AHD, TVI and CVI formats
- Connects to TURING VISION® cloud VMS via Turing Smart Series NVR

SPECIFICATIONS



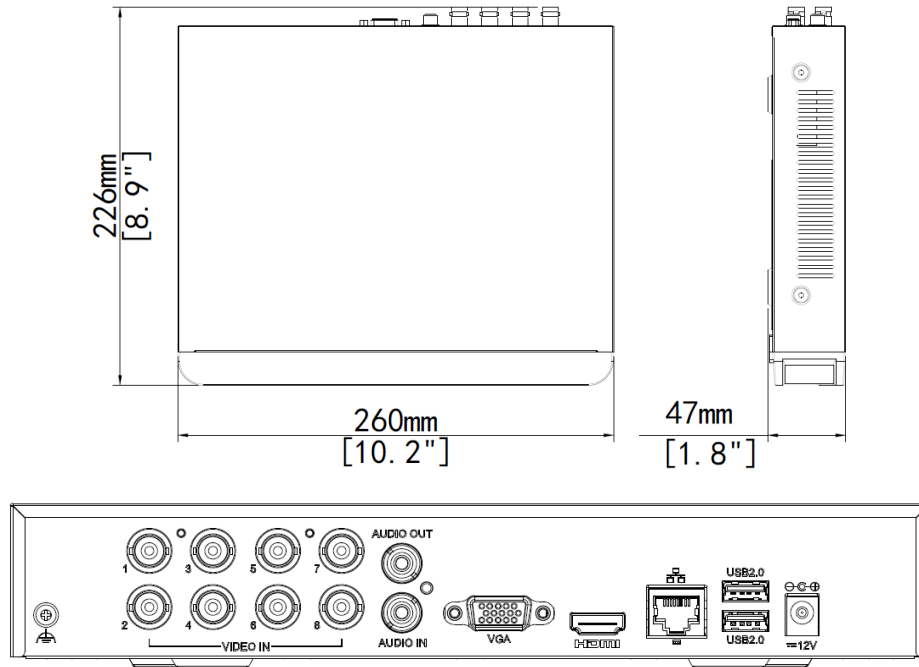
MODEL NUMBER	TF-ENC08E	TR-ENC16E
TURING VISION® SUPPORT		
Prerequisite	Turing SMART Series NVR / bridge	Turing SMART Series NVR / bridge
Required NVR Channels	1 NVR channel per analog input	1 NVR channel per analog input
TURING VISION® Cloud VMS	Essential license required per channel	Essential license required per channel
ENCODER SPECIFICATIONS		
Analog Video Input	8-ch, BNC	16-ch, BNC
Supported HD Analog Formats	<p>AHD 5MP@12fps; 4MP@15fps; 1080P@30fps; 720P@30fps</p> <p>TVI 5MP@12fps; 4MP@15fps; 1080P@30fps; 720P@30fps</p> <p>CVI 1080P@30fps; 720P@30fps; Support CVBS input</p>	<p>AHD 8MP@15fps(channel1-channel4); 5MP@20fps; 4MP@30fps; 3MP@30fps (channel1-channel4); 1080P@30fps; 720P@60fps</p> <p>TVI 8MP@15fps(channel1-channel4); 5MP@20fps; 4MP@30fps; 3MP@20fps(channel1-channel4); 1080P@30fps; 720P@60fps</p> <p>CVI 8MP@15fps(channel1-channel4); 4MP@30fps; 1080P@30fps 720P@60fps CVBS supported</p>
Outgoing Bandwidth	64Mbps	80Mbps
Protocols	TCP/IP, P2P, UPnP, NTP, DHCP, PPPoE	
CVBS Output	N/A	1-ch, BNC
VGA Output	1920x1080p/60Hz, 1920x1080p/50Hz, 1600x1200/60Hz, 1280x1024/60Hz, 1280x720/60Hz, 1024x768/60Hz	
HDMI Output	1920x1080p/60Hz, 1920x1080p/50Hz, 1600x1200/60Hz, 1280x1024/60Hz, 1280x720/60Hz, 1024x768/60Hz	
Audio Input	1-ch, RCA	
Audio Output	1-ch, RCA	
Local Output Synchronous Playback	HD: 4-ch; SD: 8-ch	16-ch
Network Interface	1 RJ45 10M/100M self-adaptive Ethernet Interface	1 RJ45 10M/100M/1000M self-adaptive Ethernet Interface
USB Interface	Rear panel: 2 x USB2.0	Rear panel: 1 x USB3.0, Front panel: 1xUSB2.0
Serial Interface	N/A	1 x RS485
Power Supply	12V DC (power adapter included) Power Consumption: ≤ 8 W(without HDD)	12V DC (power adapter included) Power Consumption: ≤ 12 W(without HDD)
Working Environment	-10°C~+ 55°C (+14°F~+131°F), Humidity ≤ 90% RH (non-condensing)	
Rack Mount	Not supported	Supported
Dimensions(W×D×H)	260mm ×226mm× 47mm (10.2" × 8.9"×1.8")	380mm ×315mm× 53mm (15" × 12.4"×2.1")
Weight (without HDD)	≤1.1 Kg (2.42lb)	≤1.9 Kg (4.19lb)
Certification	UL, CE, FCC, RoHS, WEEE	UL, CE, FCC, RoHS, WEEE

**All specifications are subject to change without further notice



DIMENSIONS

TF-ENC08E



TR-ENC16E

