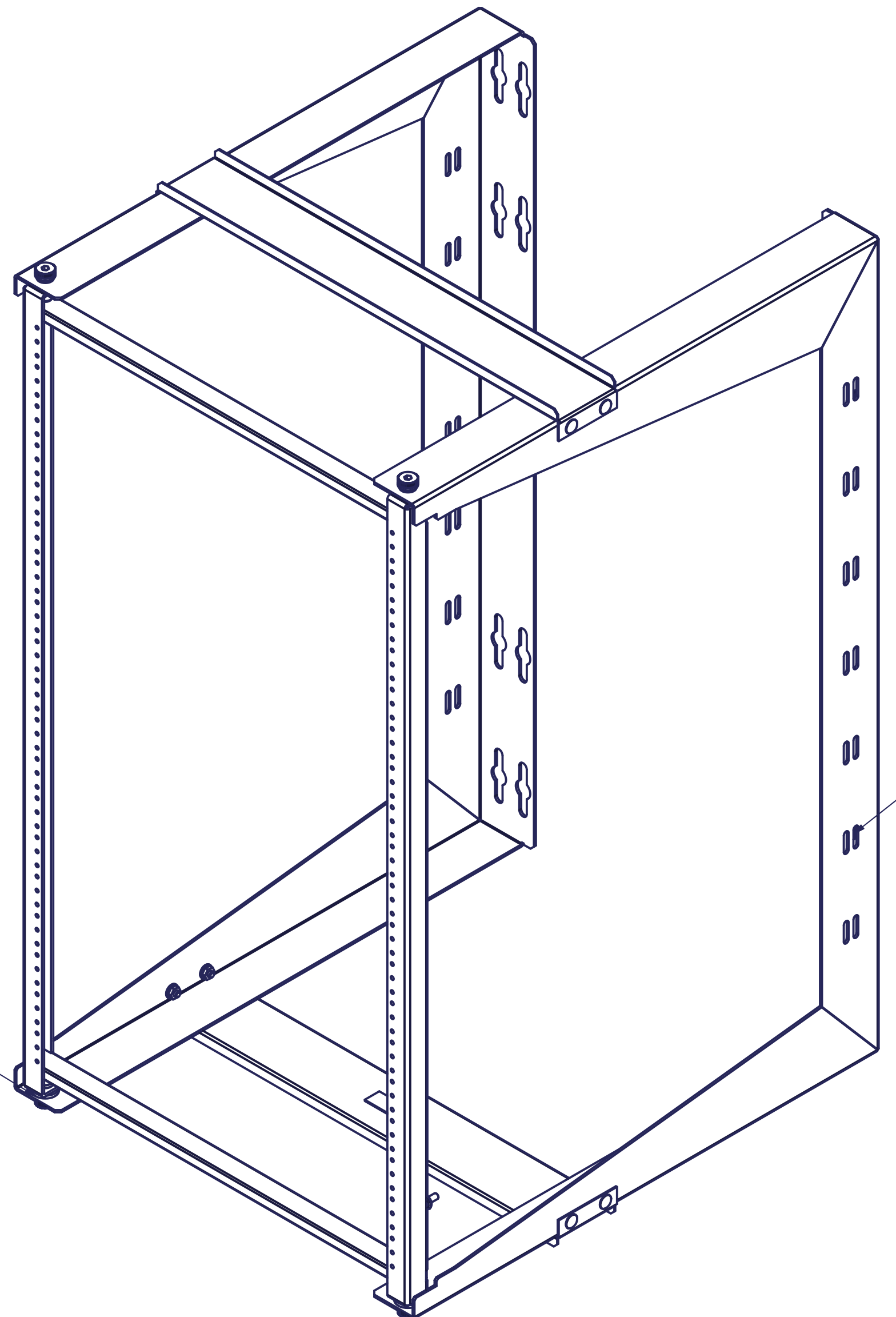
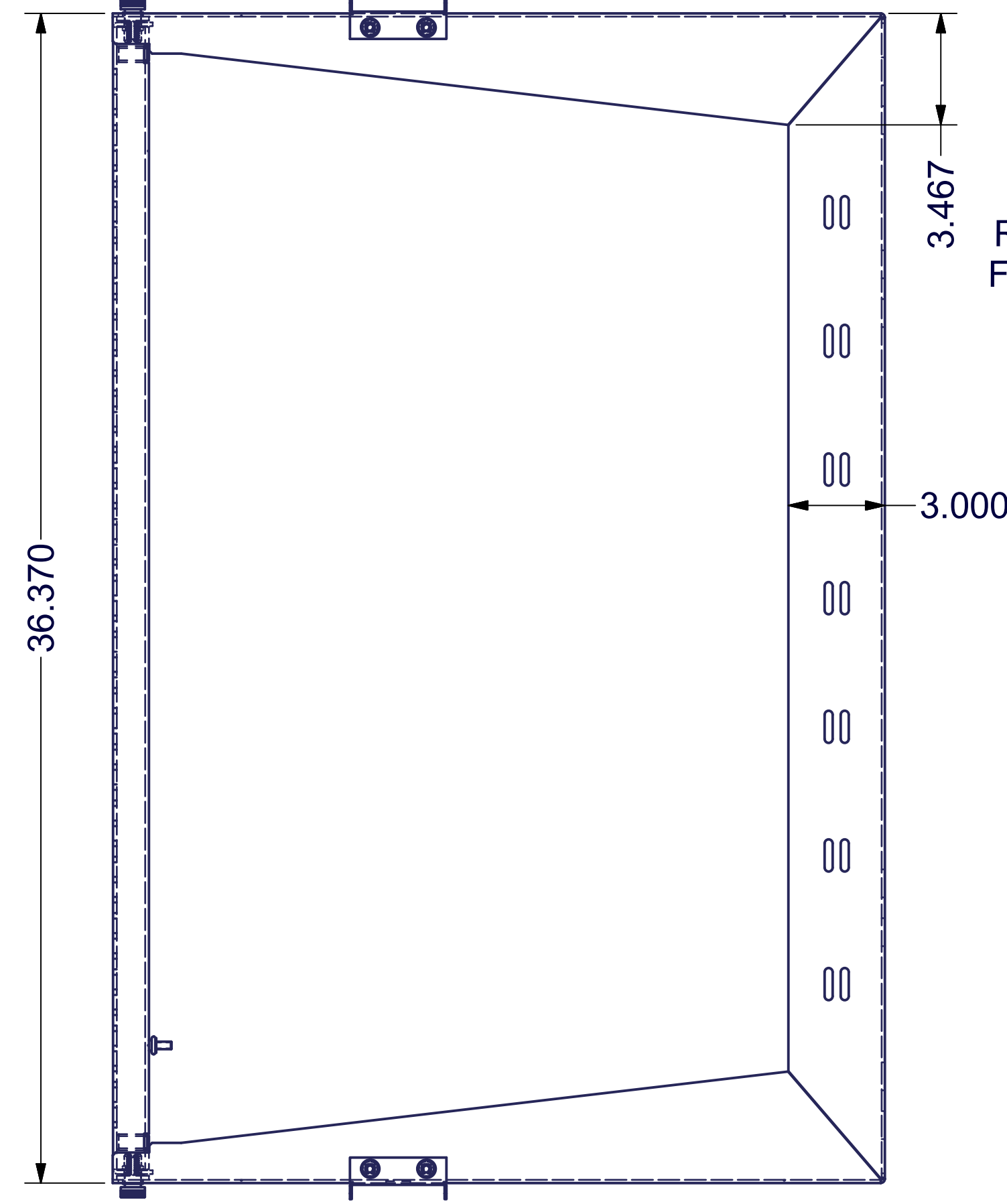
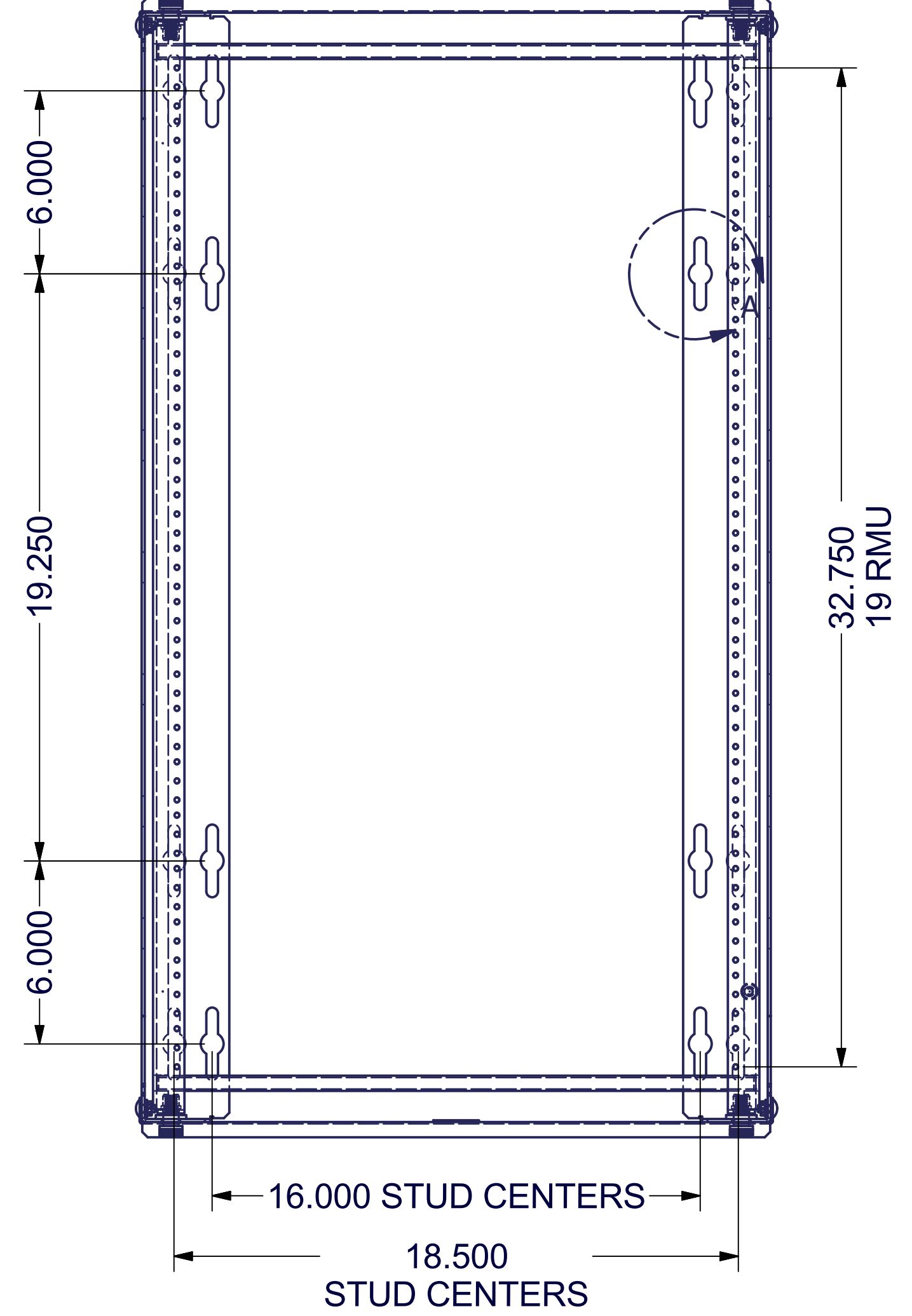


DETAIL A  
SCALE 1/2



PROVISIONS FOR  
OPTIONAL CM-01 -  
CABLE CINCH STRAP

RACK PIVOTS  
FROM EITHER  
SIDE

**SPECIFICATIONS:**  
**RACK SPACES :** 19" EIA 310 COMPLIANT - 19  
**WEIGHT CAPACITY:** 100 LBS - EVENLY DISTRIBUTED.  
**FINISH:** DURABLE TEXTURED BLACK POWDER COATING.  
**CERTIFICATIONS:** UL 60950-1 STANDARD FOR I.T. & COMMUNICATIONS EQ.  
**CONSTRUCTION:** #12 GA. C.R.S. MOUNTING CHANNELS & SUPPORT FRAME.  
**USABLE DEPTH:** 22" FROM MOUNTING SURFACE  
**HARDWARE:** PACKAGE OF QTY-50; #10-32 x 1 2" LG. SCREWS INCLUDED.



EST. WEIGHT :  
N/A

INTERPRET DRAWING PER ASME Y14.5M-1994
DIMENSIONAL LIMITS APPLY AFTER APPLICATION OF FINISH
DRAWING NOT TO SCALE
TOLERANCE UNLESS OTHERWISE NOTED:
ANGULAR +/- 1°
.XXXX +/- .010
.XXX +/- .015
.XX +/- .030
.X FOR REF. ONLY
UNLESS OTHERWISE SPECIFIED ALL DIMENSIONS ARE IN INCHES

**NOTICE:**

Use of this document is subject to a confidentiality and nondisclosure agreement with Great Lakes Data Racks & Cabinets and may not be reproduced, disclosed or utilized in whole or in part without prior written authorization from Great Lakes.

PART NUMBER: <b>GL36SRD-B</b>	TITLE: <b>36" H X 24" D SWING RACK</b>
MATERIAL TYPE:	GREAT LAKES DATA RACKS & CABINETS P.O. BOX 551 EDINBORO, PA 16412 PHONE (814) 734-7303 FAX (814) 734-3907 E-MAIL info@greatcabinets.com
MATERIAL GAUGE:	
FINISH:	
DRAWN henrym	DATE 6/26/2020
CHECKED & APP. DATE	
DWG NO: <b>GL36SRD-B</b>	REV
	SHEET: 1 OF 1