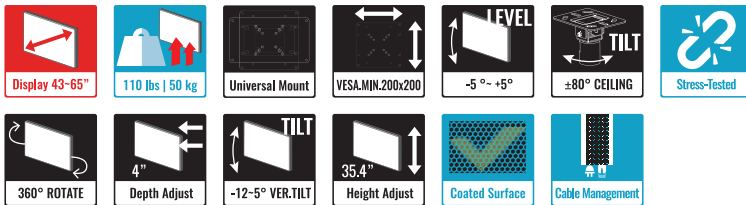
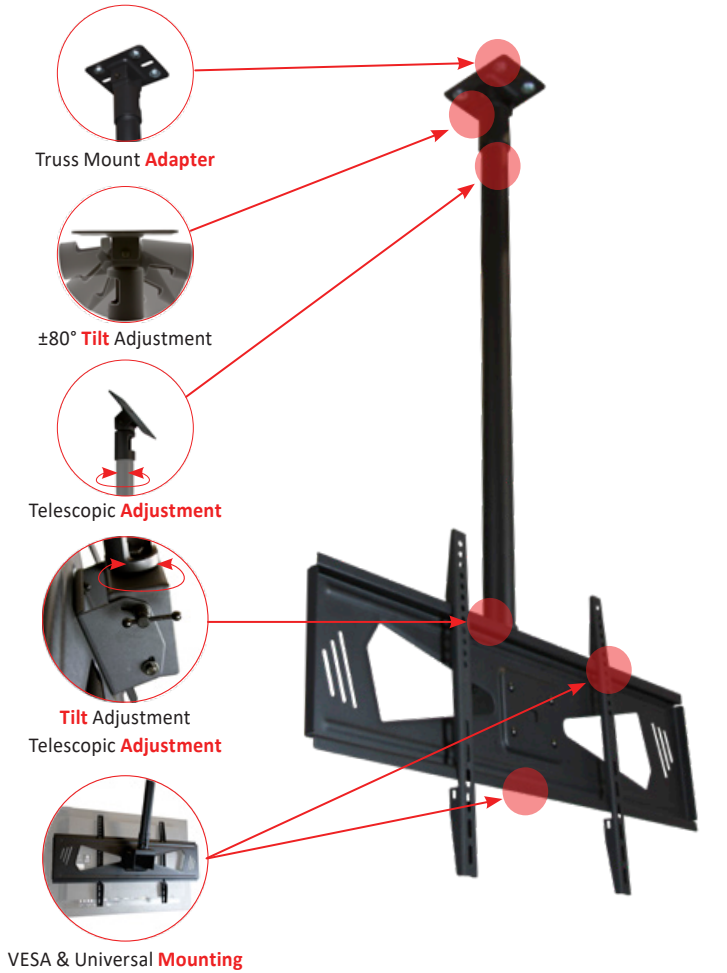


VZ-CMKiT-04

UNIVERSAL CEILING MOUNT KIT



MODEL #	VZ-CMKiT-04
FEATURES	
Net Weight	17.98 lbs / 8.16 kg
Total Weight Capacity	110 lbs / 50 kg (for each head)
Display Range	43" ~ 65"
VZ-CM-V4 Size (W x H x D)	904 x 440 x 103 mm / 35.59 x 17.32 x 4.05"
VZ-CM-V4 Pole (R x Length)	∅ 38.1 x 76mm / ∅ 1.5 x 3"
VZ-CM-T Plate Size (W x H x D)	150 x 120 x 53mm / 5.9 x 4.72 x 2.08"
VZ-CM-T Pole (R x Length)	∅ 38.1 x 76mm / ∅ 1.5 x 3"
VZ-CM-P36 Pole (R x Length)	∅ 48 x 900mm / ∅ 1.88 x 35.43"
VZ-CM-P36 Thread (R x Length)	∅ 38.1 mm / ∅ 1-1/2"
PAN Rotation	360°
Tilt Capability (VZ-CM-V4 / VZ-CM-T)	+5 ~ -12° / ± 80°
Level Capability (VZ-CM-V4)	+5° ~ -5°
Mounting Patterns Type	Range
Mounting Patterns (Universal)	200 x 200 (Min) ~ 800 x 400 (Max) mm

VZ-CMKIT-04 ADVANTAGES

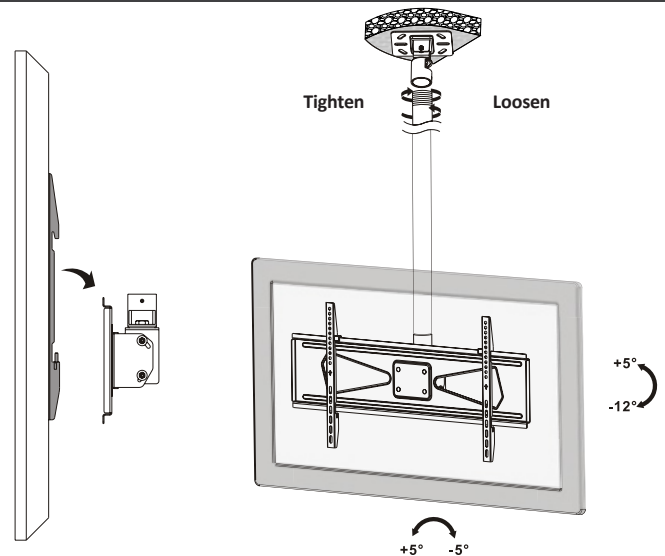
- Mounting Head for 43" to 65" CCTV & Video Wall Monitors
- Load Capacity is 110 lbs / 50 kg
- 5° Tilt Up and 12° Tilt Down Adjustment along with 360° Pan Rotation For Achieving that Perfect Viewing Angle
- ± 5° Level Adjustment
- VESA Standard (MIN. 200x200 ~ MAX. 800x400) & Universal Mounting Support
- Easy Cable Management & installation
- 2 units of VZ-CM-P36 poles can be connected by using VZ-CM-C Pole connector

Connecting more than 2 poles is not recommended

DESIGNED SPECIFICALLY for

VZ-43CMP	Full HD LED AV Monitor w/24V
VZ-49/55/65UHD	49, 55 & 65" 4K UHD Quad View Monitor
VZ-49/55UNBS	49 & 55" Ultra Narrow Bezel (1.2 mm) Monitor
VZ-55EHB/ENB	55" Extreme Narrow Bezel (0.9 mm) Monitor
VZ-55SHB/SNB	55" Super Narrow Bezel (0.44 mm) Monitor
VZ-PVM-P5W3/P5B3	43" Smart AD Public View Monitor

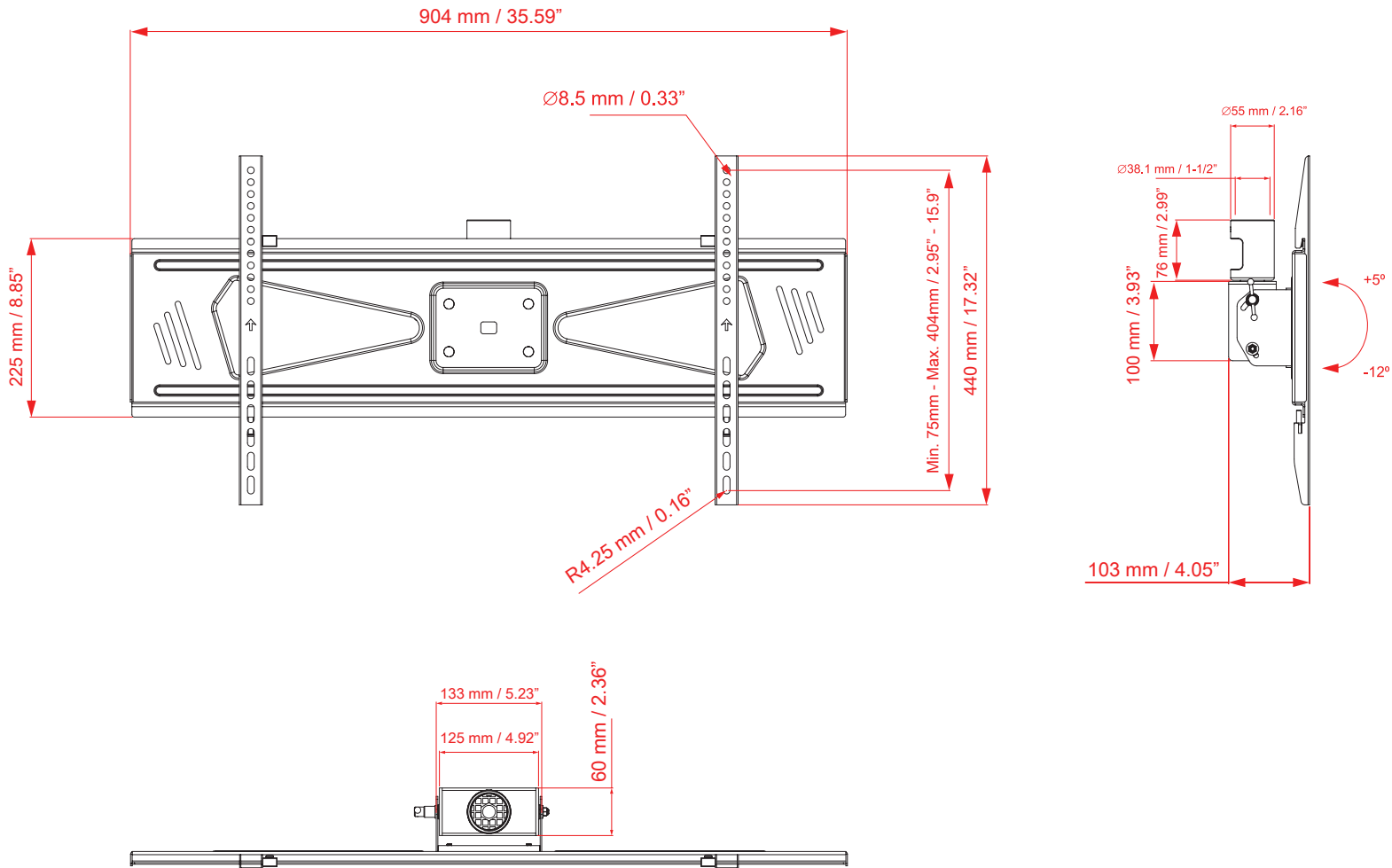
FEATURES



VZ-CMKiT-04

UNIVERSAL CEILING MOUNT KIT

DIMENSIONS - UNIVERSAL MOUNTING HEAD



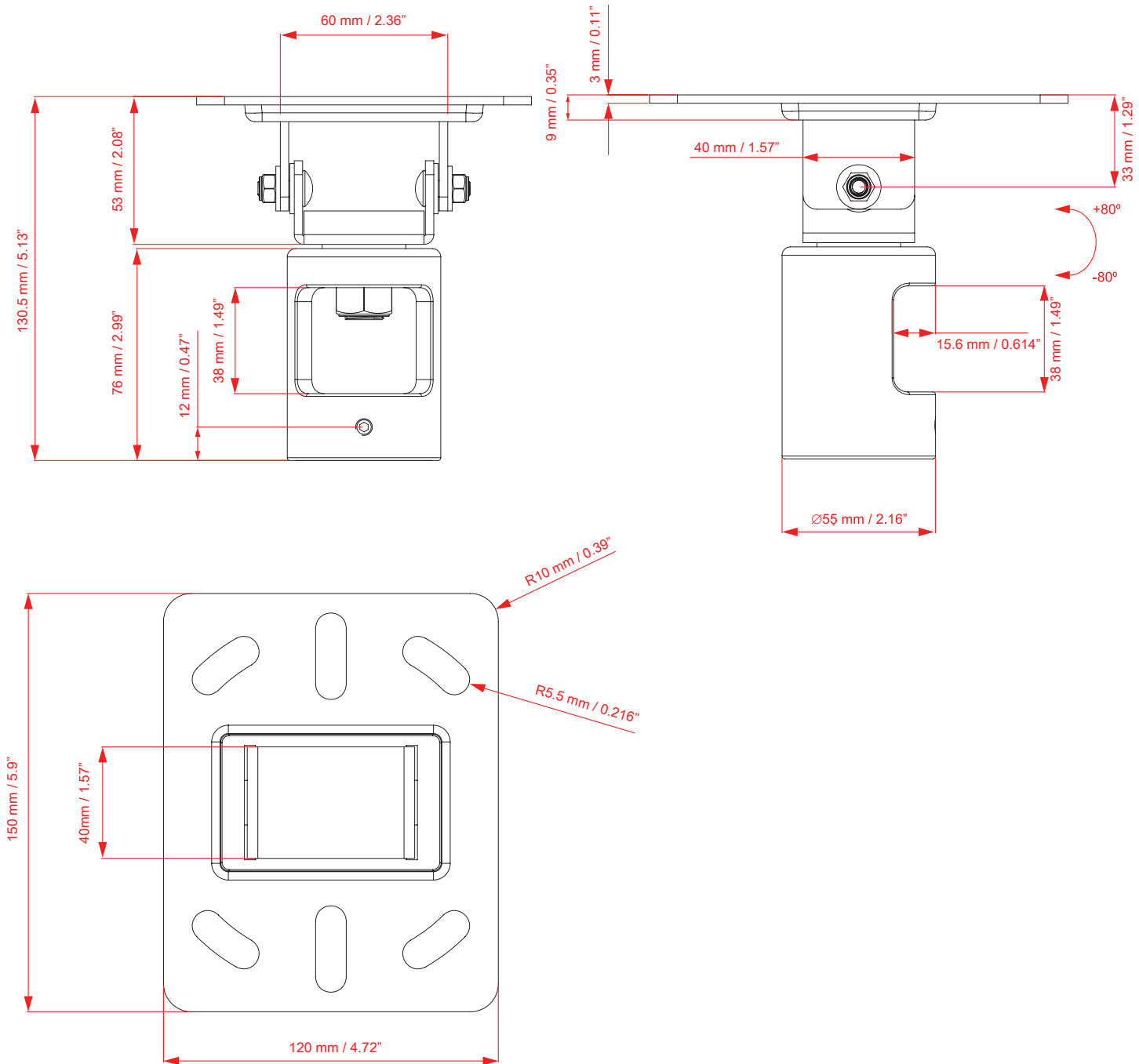
Contact ViewZ

- Address : 1030 N ARMANDO ST., ANAHEIM, CA 92806
- Phone : (714) 996-1177, Fax : (714) 996-1138
- Sales : sales@viewzusa.com

VZ-CMKiT-04

UNIVERSAL CEILING MOUNT KIT

DIMENSIONS - TILT CEILING PLATE



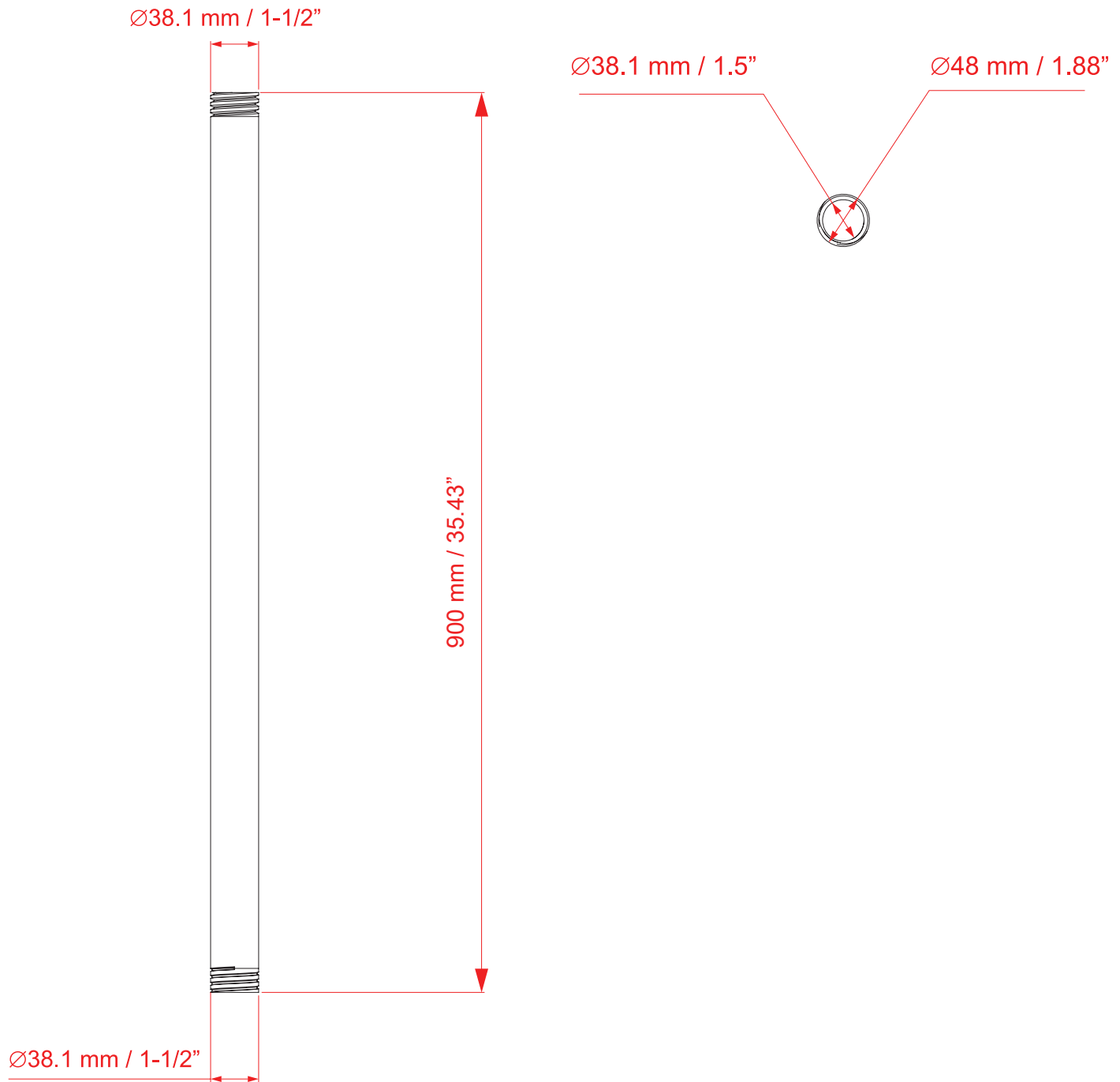
Contact ViewZ

- Address : 1030 N ARMANDO ST., ANAHEIM, CA 92806
- Phone : (714) 996-1177, Fax : (714) 996-1138
- Sales : sales@viewzusa.com

VZ-CMKiT-04

UNIVERSAL CEILING MOUNT KIT

DIMENSIONS - POLE



Contact ViewZ

- Address : 1030 N ARMANDO ST., ANAHEIM, CA 92806
- Phone : (714) 996-1177, Fax : (714) 996-1138
- Sales : sales@viewzusa.com