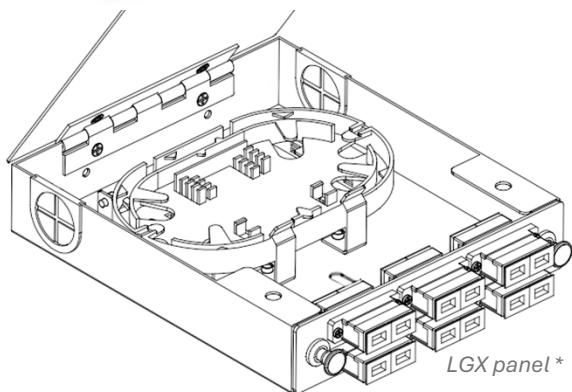


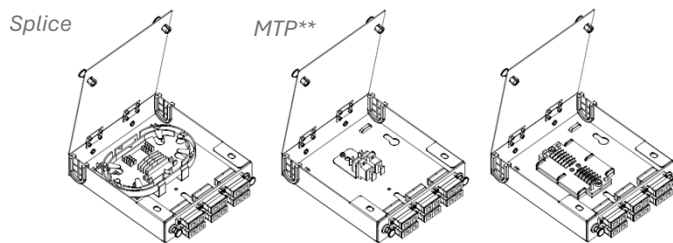
900-FWM-1

Wall Mount Fiber Optic Enclosure



Introducing the Dynacom 900-FWM-1, a versatile and robust solution for fiber optic management. Designed for wall mounting, this enclosure provides a secure and organized environment for your fiber optic components. Featuring a single LGX adapter panel space, the 900-FWM-1 offers ample space for connectors, splices, and cable management. To enhance installation flexibility, a DIN rail bracket is included. Additionally, an MTP mounting plate for two MTP connectors is provided to accommodate high-density fiber connections. Experience the convenience and efficiency of the 900-FWM-1 in your network infrastructure.

Flexible Installation



Specification:

Material:	Cold Rolled Steel
Finish:	Powder Coat, Black Textured
Dimension:	6.5" x 5.5" x 1.75"
Panel compatibility:	1 LGX
Mounting:	Wall, Din Rail
Cable Entry:	Top, Bottom
MTP compatibility:	MTP plate
Lockable:	No

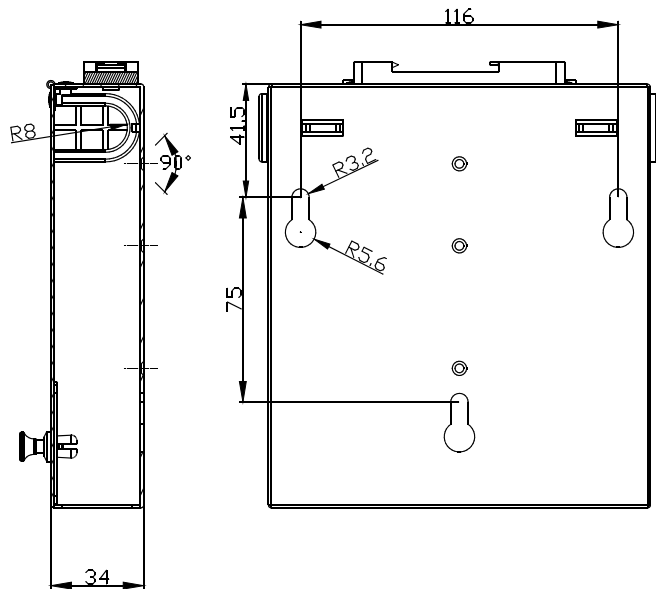
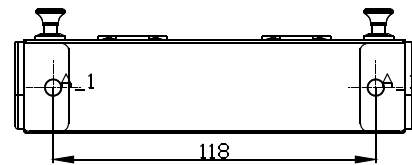
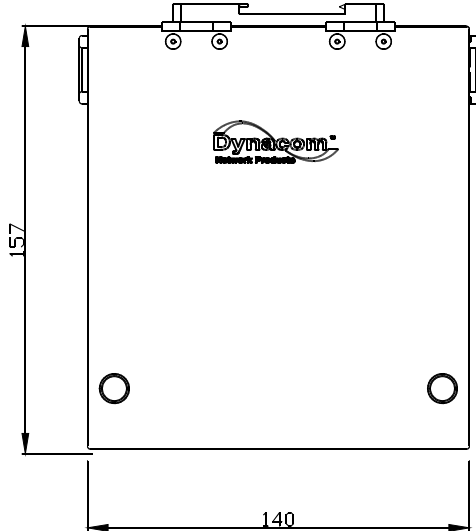
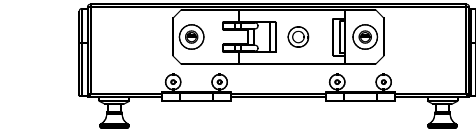
\*Adapter Panel for reference only, not included  
\*\*MTP adapters not included

Adapter Panel Order Information

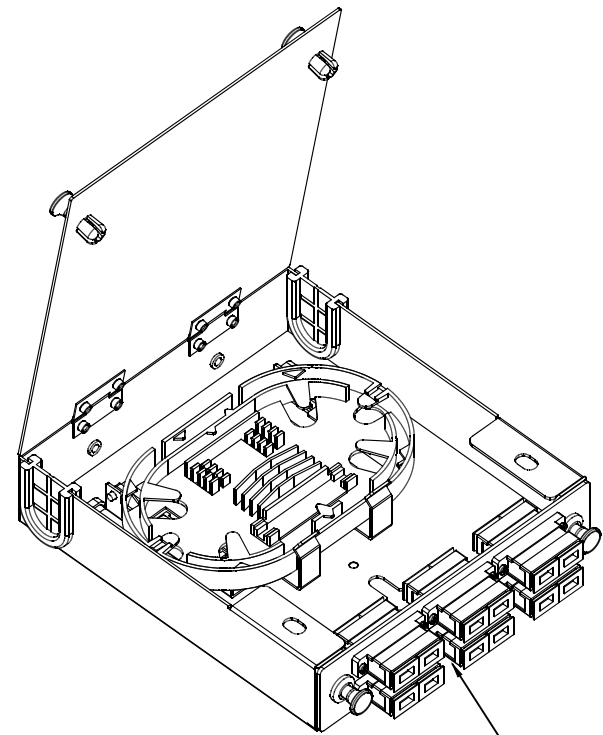
P/N	Fiber	Fiber Count	Adapter	
920A-SC-6	OS2	6	SC	Simplex
920A-SCA-6-GN	OS2	6	SC APC	Simplex
920A-SC-12	OS2	12	SC	Duplex
920A-SCA-12-GN	OS2	12	SC APC	Duplex
920A-LC2-6	OS2	12	LC	Duplex
920A-LCA2-6-GN	OS2	12	LC APC	Duplex
920A-LC4-6	OS2	24	LC	Quad
920A-LCA4-6-GN	OS2	24	LC APC	Quad
920A-ST-6	OS2	6	ST	Simplex
920A-SC-6-AQ	OM3, OM4	6	SC	Simplex
920A-SC-12-AQ	OM3, OM4	12	SC	Duplex
920A-LC2-6-AQ	OM3, OM4	12	LC	Duplex
920A-LC4-6-AQ	OM3, OM4	24	LC	Quad
920A-ST-6M	OM3, OM4	6	ST	Simplex
920-B6K			6 Keystone Ports	
920-E6P			6 Empty SC Simplex Ports	

1 THE INFORMATION CONTAINED HEREON IS PROPRIETARY AND CONFIDENTIAL TO DYNACOM CORPORATION. AND SHALL NOT BE USED OR DISCLOSED, IN WHOLE OR IN PART WITHOUT FIRST OBTAINING THE WRITTEN PERMISSION OF DYNACOM CORPORATION. SPECIFICATIONS SUBJECT TO CHANGE WITHOUT NOTICE.

ZONE	REV.	DESCRIPTION	DATE	APPV.
-	A	INITIAL RELEASE	10/26/2020	E.A.
-	B	LOGO UPDATE	03/17/2022	E.A.
-	C	THREADED BINDING POST TO 90° CHAMFER	08/15/2024	E.A.
-	D			



A-A



Note: SC adapter panel for reference only, not included.

Accessories:

SPLICE TRAY W/ STORAGE	1
DIN RAIL MOUNTING CLIP	1
SPLICE HOLDER 12 FIBER, 4CM	2
CABLE TIE 10CM, BLACK	4
MTP PLATE (2 PORTS FOR MTP ADAPTER )	1
TWIST CABLE TIE	4
SPLICE PROTECTION SLEEVE, 4CM	12
NUMBER LABEL 1-24	1
WIRING DECAL	1

NOTES:  
 MATERIAL: COLD ROLLED STEEL  
 FINISH: POWDER COAT. COLOR-BLACK, TEXTURED  
 COMPATIBILITY: 1-LGX PANEL, MTP  
 REMOVABLE 12 FIBER SPLICE TRAY  
 MOUNTING: WALL , DIN RAIL

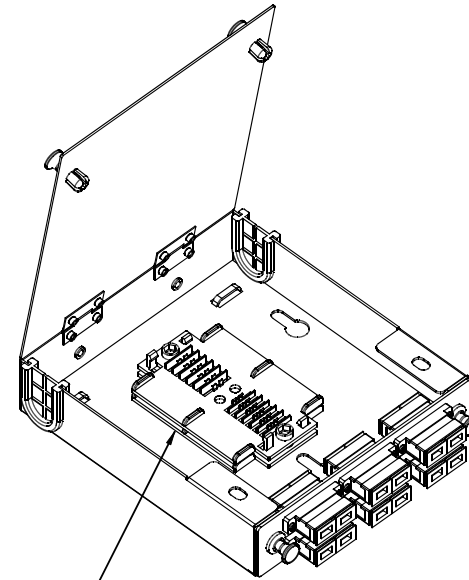
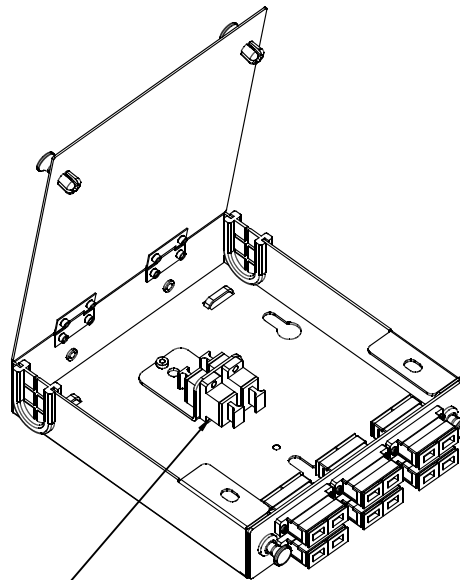
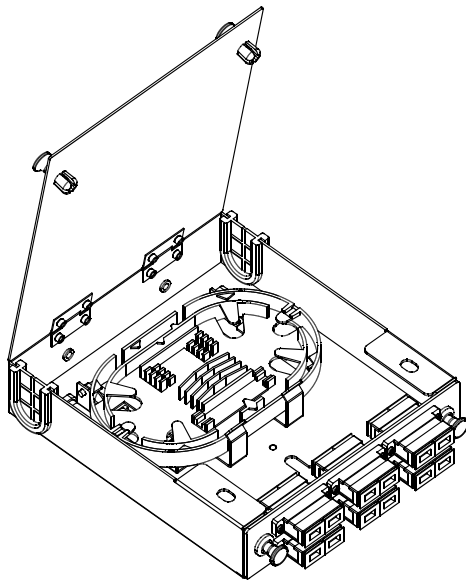
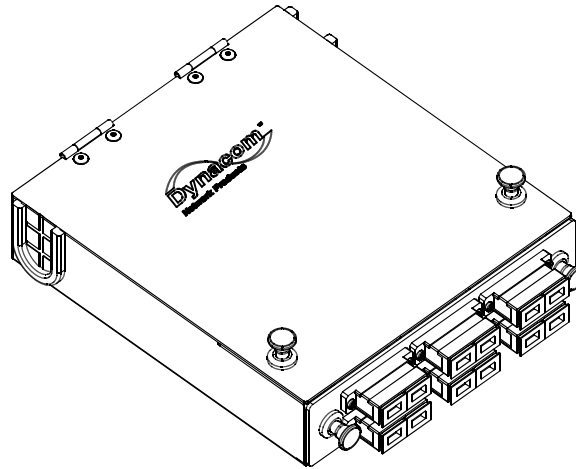


e-mail...sales@dynacomcorp.com  
 www.dynacomcorp.com

DIMENSIONS: MM			
NEXT ASSY: -	DRAWN: E.A.	CHECKED: A.L.	
TITLE	DWG. NO.	SHEET 1 OF 2	REV.
WALL MOUNT 1 PANEL FIBER OPTIC BOX	900-FWM-1		C

THE INFORMATION CONTAINED HEREON IS PROPRIETARY AND CONFIDENTIAL TO DYNACOM CORPORATION. AND SHALL NOT BE USED OR DISCLOSED, IN WHOLE OR IN PART WITHOUT FIRST OBTAINING THE WRITTEN PERMISSION OF DYNACOM CORPORATION. SPECIFICATIONS SUBJECT TO CHANGE WITHOUT NOTICE.

ZONE	REV.	DESCRIPTION	DATE	APPV.
-	A	INITIAL RELEASE	10/26/2020	E.A.
-	B	LOGO UPDATE	03/17/2022	E.A.
-	C	THREADED BINDING POST TO 90° CHAMFER	08/15/2024	E.A.
-	D			



MTP adapters for reference only, not included.

Optional: P/N: 900-BST24



e-mail...sales@dynacomcorp.com  
www.dynacomcorp.com

DIMENSIONS: MM

NEXT ASSY: -

DRAWN: E.A.

CHECKED: A.L.

TITLE

DWG. NO.

SHEET 2 OF 2

REV.

WALL MOUNT 1 PANEL FIBER OPTIC BOX

900-FWM-1

C