

# Pool Access Alarm Remote

WWW.GRISK.COM



## REMOTE SOUNDER:

A remote sounder, Model PAAR-RS or PAAR-SS can be added to all GRI Pool Access Alarms to increase the area that the alarm can be heard. Tested to 2017 Audibility Standards as per ITS, Report #J20041913-001.



PAAR-RS

## REMOTE SHUNT BUTTON:

If two doors are to be monitored by a GRI Pool Access Alarm/Door Alert, a remote shunt button, Model PAAR-RB or PAAR-SB can be added. The Pool Access Alarm is mounted next to one door and the remote button by the other. Either button will cause the door alert to go into its shunt mode.



PAAR -RB

## REMOTE SOUNDER AND SHUNT BUTTON:

A remote sounder and shunt button combination unit, Model PAAR-RSB or PAAR-SSB can be added to additional exits. This will not only extend sounder coverage, but also provide the adult pass through feature and alarm shunt control functions to each remote location chosen.

*Note: A maximum of eight remote sounders can be wired to one PAA/PAAS for extra sound coverage.*



PAAR -SSB

**WARNING: THIS IS NOT A LIFE SAVING DEVICE.**

### Part Numbers

084-1	Recessed remote button - all weather stainless steel
084-2	Steel surface mount - all weather remote button, stainless steel screws
084-3	Plastic surface mount - all weather remote button, stainless steel screws
PAAR-RB	Recessed button only
PAAR-RS	Recessed sounder only
PAAR-RSB	Recessed sounder and button
PAAR-SB	Surface mount button only
PAAR-SS	Surface mount sounder only
PAAR-SSB	Surface mount sounder and button

**WARRANTY:** One year limited warranty against workmanship, material and factory defects.

GEORGE RISK INDUSTRIES, INC.  
G.R.I. PLAZA  
KIMBALL, NE 69145

WWW.GRISK.COM



1-800-445-5218  
1-800-523-1227  
(308) 235-4645  
FAX (308) 235-3561  
E-MAIL: sales@grisk.com



# POOL ACCESS REMOTE OPTIONS

## EXTERNAL SOUNDER

An external sounder, Model PAAR-RS or PAAR-SS, can be added to this unit to increase the area that the alarm can be heard. See Installing Options #1.

## EXTERNAL SHUNT BUTTON

If two doors are to be monitored by this pool access alarm, an external shunt button, Model PAAR-RB or PAAR-SB, can be added. In this configuration, the Pool Access Alarm can be by one door and the external button by the other door and either button will cause the Door Alert to go into its shunt mode. See Installing Options #2.

## EXTERNAL SOUNDER AND SHUNT BUTTON

An External Sounder and Shunt Button Combination Remote Unit, Model PAAR-RSB or PAA-SSB can also be added to additional exits. This will not only extend sounder coverage, but also provide the adult pass thru feature and alarm shunt control functions to each remote location chosen. See Installing Options #3.

## INSTALL OPTIONS

### 1. EXTERNAL SOUNDER OPTION:

This option is provided so that an external sounder can be attached to the Pool Access Alarm and the alarm will be heard over a greater area. Mount the Remote Sounder in a position selected following the same basic instruction given for mounting the main Pool Access Alarm. Run a three (3) conductor cable from the sounder to the Pool Access Alarm. The power for this unit is coming from the main unit so no periodic checks must be made of this unit. The main unit will warn of low battery or power for the entire system. Up to four remotes can be added to Pin 3 and an additional four remotes on Pin 7 of the Pool Access Alarm.

### 2. EXTERNAL SHUNT BUTTON:

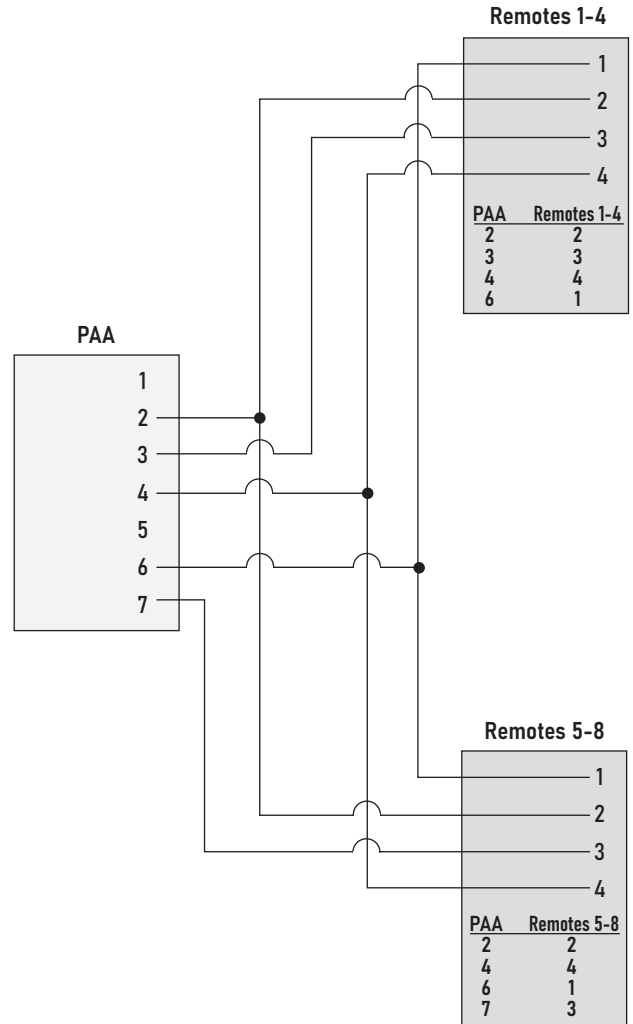
This option is provided so that an external shunt button will perform the same function as shunt button on the Pool Alarm. Mount the unit in a position selected following the same basic instructions given for mounting the Pool Access Alarm. Run a pair of wires to the Pool Alarm. Attach the wires to the Pool Access Alarm Pin 2 and Pin 4. It does not matter which wire goes in which location.

### 3. EXTERNAL SOUNDER AND SHUNT BUTTON:

This option combines the Remote Sounder and Shunt Button into one remote unit. Mount the unit in a position selected following the same basic instructions given for mounting the main Pool Alarm. The power for this unit is coming from the main unit so no periodic checks must be made of this unit. The main unit will warn of low battery or power for the entire system. Up to four remotes can be added to Pin 3 and an additional four remotes on Pin 7 of the Pool Access Alarm.

## WIRING SPECIFICATIONS:

For connection of optional remote equipment and door contact switches a Belden CAT5 CL2 or equivalent cable is recommended. For the connection of the 12-volt power supply to the alarm unit a Belden 18-2 CL2-CMR 300v 60° or equivalent wire is recommended. In all cases installer should reference current local N.E.C. code, and or code requirements set forth by local housing authority or code enforcement jurisdiction.



**WARRANTY:** One year against workmanship, material and factory defects. Proof of Purchase required with return.

**GEORGE RISK INDUSTRIES**  
802 South Elm Street  
Kimball, NE 69145  
(308) 235-4645 www.grisk.com

### DISCLAIMER

The GRI PAA is not a life saving device. Its' intent is to serve strictly as a monitoring device on doors and windows to help prevent unattended access to pool or spa areas.