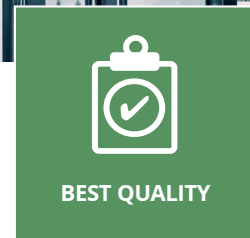
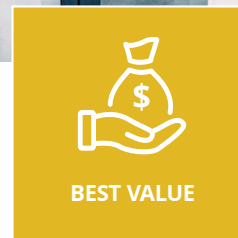


# CX-92 Series 600 lbs. & 1200 lbs. Double Door Magnetic Locks

**SECURITY**  
  
**LISTED**  
UL 1034 / UL 294  
Standard for  
Burglary-Resistant  
Electric Locking  
Mechanisms

**UL**  
  
ULC S533-15  
Standard for  
Access and Egress



**CX-92 Series 600 lbs. & 1200 lbs. Double Door Magnetic Locks offer the best performance and value.**

A 'TDS' option provides an adjustable timer, lock sensor, door status switch, relay and LED.

Camden's Magnetic Locks are easily installed. A metal mounting template is packaged with the unit.

Vandal resistant construction is built to last - lifetime warranty!

## Features

- Weather and vandal resistant construction proven over thousands of installations
- Compatible with all access / egress systems
- Field selectable 12/24 VDC operation
- On board MOV power surge protection prevents damage to the magnetic lock
- A range of mounting brackets and spacers available



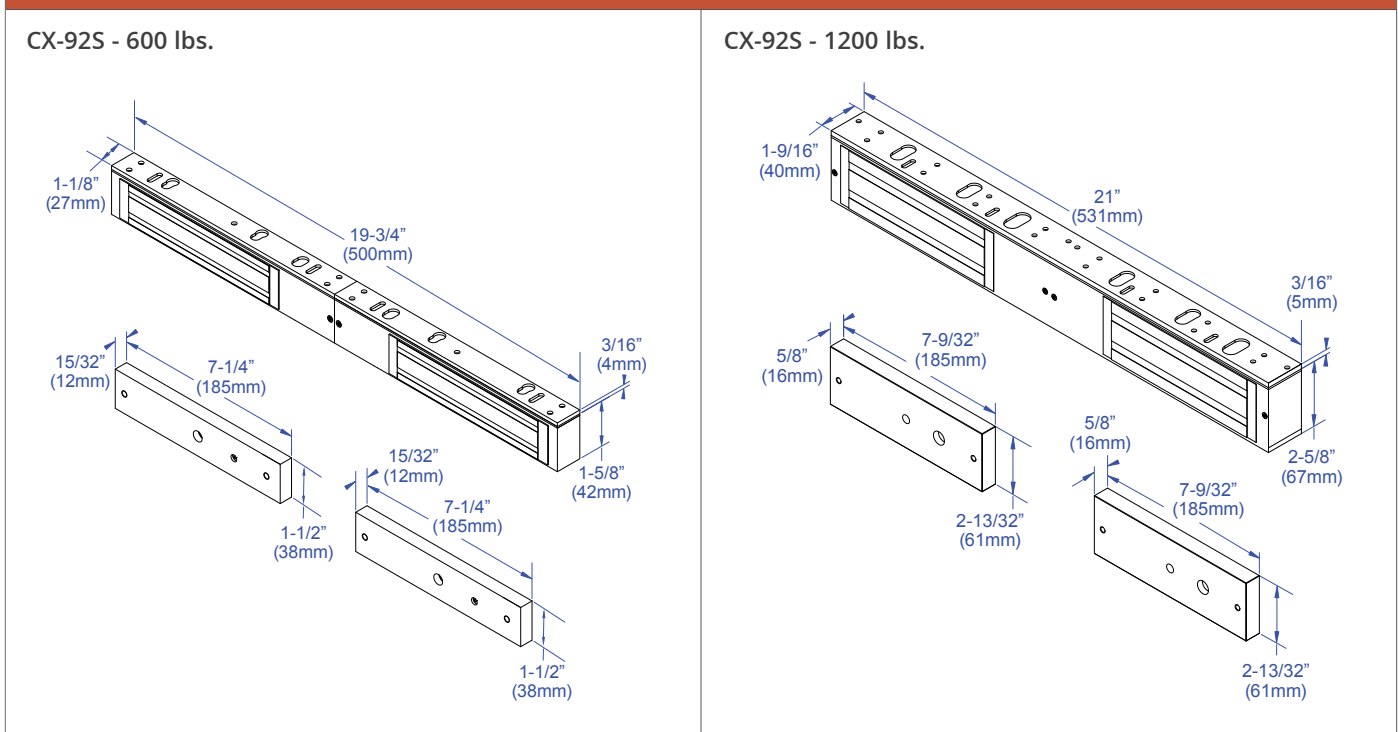
## SPECIFICATIONS

VOLTAGE:	480mA @ 12 VDC, 240mA @ 24 VDC	TEMPERATURE RANGE:	32°F - 131°F (0°C to 55°C)
CURRENT DRAW:	<b>CX-92S-06:</b> 480mA/12VDC   240mA/24 VDC x 2 <b>TDS:</b> 510mA/12VDC   285mA/24 VDC x 2 <b>CX-92S-12:</b> 420mA/12VDC   210mA/24 VDC x 2 <b>TDS:</b> 500mA/12VDC   265mA/24 VDC x 2	DIMENSIONS:	<b>Body:</b> <b>CX-92S-06:</b> 19-3/4"W x 1-5/8"H x 1-1/8"D (500mm x 42mm x 27mm) <b>CX-92S-12:</b> 21"W x 2-5/8"H x 1-9/16"D (532mm x 67mm x 40mm)
CONTACT RATING:	TDS Models Only: Bond Sensor: 2A @ 24 VDC Door Status Switch: 0.5A @ 28V AC/DC	<b>Armature Plate:</b> <b>CX-92S-06:</b> 2 x 7-1/4"W x 1-1/2"H x 15/32"D 2 x (185mm x 38mm x 12mm) <b>CX-92S-12:</b> 2 x 7-9/32"W x 3"H x 5/8"D 2 x (185mm x 61mm x 16.5mm)	
HOLDING FORCE:	<b>CX-91S-06:</b> 600 lbs. (272 kg.) <b>CX-91S-12:</b> 1200 lbs. (544 kg.)		

## ORDERING INFORMATION

MODELS	
CX-92S-06	600 lbs. Surface Mount Double Door - Basic
CX-92S-06TDS	600 lbs. Surface Mount Double Door - With adjustable timer, door status switch, lock sensor, relay and LED
CX-92S-12	1200 lbs. Surface Mount Double Door - Basic
CX-92S-12TDS	1200 lbs. Surface Mount Double Door - With adjustable timer, door status switch, lock sensor, relay and LED
ALL-BLACK FINISH	
CX-92S-06-BK	600 lbs. Surface Mount Double Door - Basic - All-black finish
CX-92S-06TDS-BK	600 lbs. Surface Mount Double Door - With adjustable timer, door status switch, lock sensor, relay and LED - All-black finish
CX-92S-12-BK	1200 lbs. Surface Mount Double Door - Basic - All-black finish
CX-92S-12TDS-BK	1200 lbs. Surface Mount Double Door - With adjustable timer, door status switch, lock sensor, relay and LED - All-black finish

## DIMENSIONS



Opening New Doors to Innovation, Quality, and Support!

2395 Skymark Ave, Mississauga, ON Canada L4W 4Y6 • Toll Free: 1(877) 226-3369 (CAMDEN9)  
Tel: (905) 366-3377 | Fax: (905) 366-3378 | E-mail: info@camdencontrols.com | www.camdencontrols.com

