

DESCRIPTION

The Model Verifact® B is an omni-directional, low impedance, electret condenser microphone with built-in preamp. It can pick up normal sounds approximately 15 ft. away, or within a 30 ft. diameter circle. Verifact® B produces line level output (0 dBV @ 600Ω) and can be located up to 1,000' from the Louroe base station. The Microphone element is suspended from the pre-amp and dome housing by a 3' extension cable and is designed for high ceiling applications. The Verifact® B is compatible with all Louroe Audio Base Stations or Louroe Audio Interface Adapters.

NOTE:
 Verifact® B Microphone is NOT recommended for outdoor use or in areas with high moisture content.

Microphone Extension Cable for High Ceiling applications




SPECIFICATIONS

■ Sensitivity	-45 dBV/Pa 1 Pa = 94 dB SPL
■ Frequency response	50 Hz to 15 kHz
■ Output	Line Level (0 dBV, 600Ω @1kHz)
■ Current drain	10 mA
■ Supply voltage	12 Vdc
■ Microphone housing	High impact ABS
■ Dimensions	4" dia x 1 ½" H
■ Weight	4 oz
Shipping Weight	1 Lb



IMPORTANT NOTICE
 When this equipment is used as part of an audio monitoring system, the law requires that the public be given notice of AUDIO MONITORING ON THE PREMISES. A decal notice is included with each microphone shipped.



Federal Law References:
 Federal Regulations, US Code, Title 18.
 Crime and Criminal Procedure, Sec 2510.

WARRANTY

LOUROE ELECTRONICS warrants that at the time of shipment products manufactured by LOUROE ELECTRONICS to be free of defects in material and workmanship. Should a defect appear within five years (60 months) from date of shipment, LOUROE ELECTRONICS will, at its sole discretion, repair or replace the defective equipment. This equipment shall not be accepted for repair or return without prior notification by LOUROE ELECTRONICS .

This warranty does not extend to any Louroe product that has been subjected to improper or incorrect installation, misuse, accident, or in violation of installation instructions provided by LOUROE ELECTRONICS.

Returned shipments to LOUROE ELECTRONICS shall be at customer's expense. LOUROE ELECTRONICS will return the equipment prepaid via best way.

MECHANICAL INSTALLATION

The Model B is cylindrical, 4" dia. x 1½" H, and has four mounting holes for surface mounting to a ceiling or other flat surface.

ELECTRICAL CONNECTION

Verifact® B connects directly to any Louroe Base Station or Louroe Audio Interface Adapter(IF-1, IF-2, IF-4 or IF-8). The Base Station or Interface Adapter provides phantom 12Vdc power to the Verifact™ B Microphone.

MICROPHONE CONNECTION

A 3-pin terminal block is located on the back of the microphone housing, marked A, B, C.

- A represents +12 Vdc power
- B represents Audio Output
- C represents Ground

If using West Penn 452 or equivalent with same color code, connect as follows:

1. Red wire (12 Vdc) connects to terminal A of microphone terminal block
2. Black wire (audio out) connects to terminal B of microphone terminal block
3. Bare wire (ground) connects to terminal C of microphone terminal block

NOTE: If using wiring with a different color code, be sure they are properly matched between the microphone and Louroe Base Station or Interface Adapter.

CONNECTING VERIFACT® B MICROPHONE TO A LOUROE BASE STATION OR AUDIO

All Louroe audio base stations and Interface Adapters have corresponding terminal blocks marked A, B, C. Connect other end of cable as follows:

1. Red wire from microphone connects to pin A of Base Station or Interface Adapter (12Vdc)
2. Black wire from microphone connects to pin B of Base Station Interface Adapter (Audio Output)
3. Bare wire from microphone connects to pin C of Base Station Interface Adapter (Ground)

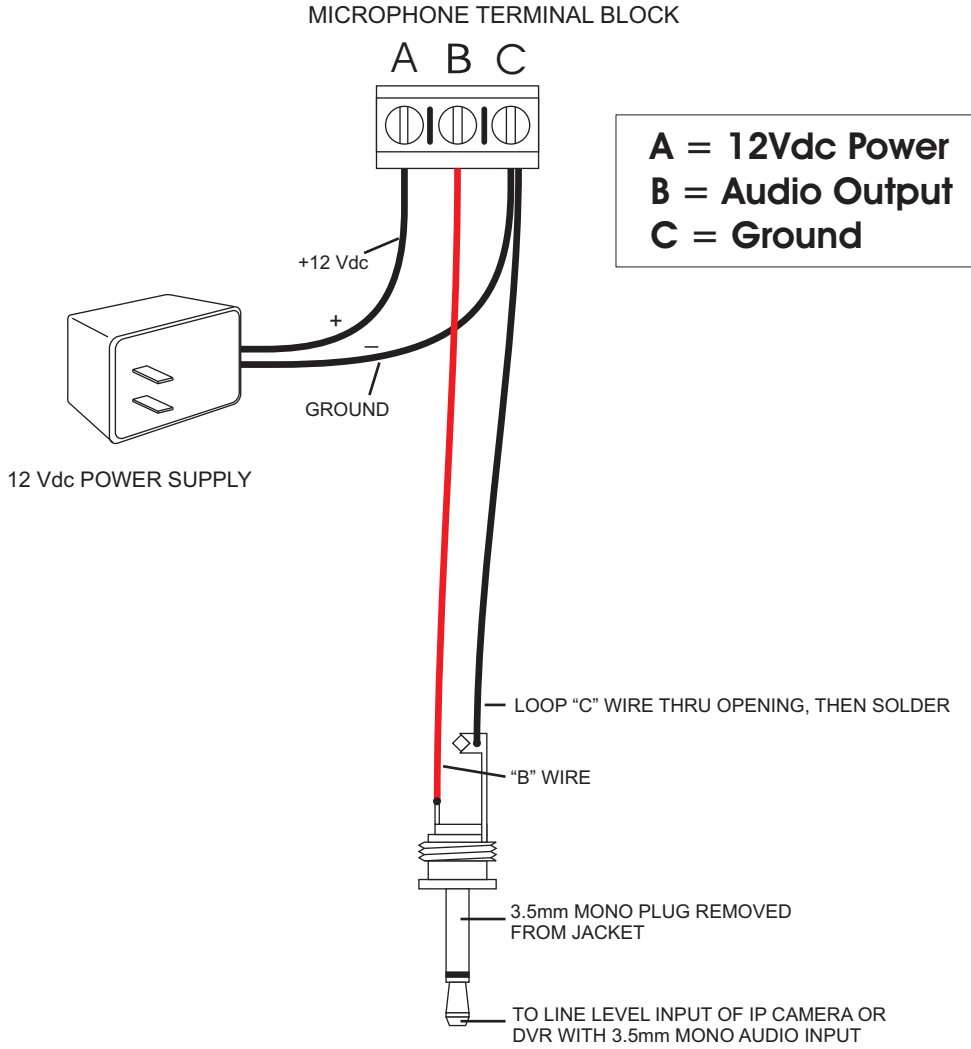
CONNECTING VERIFACT® B MICROPHONE TO OTHER AUDIO DEVICES.

If a Louroe audio base station is not used and microphone is being connected directly to another source from other manufacturers, 12 Vdc power must be applied to terminals A and C. (A is positive, C is negative). Terminals B and C of microphone (C is common) go to the "Audio In" or "Line in" of the audio source. Wire from terminal B should be shielded.

INSTALLATION TIP: If area to be monitored for audio is noisy or has background disturbances, the microphone should be positioned close to the subject as possible. Also, the microphone sensitivity switch can be moved from "N" position to "L" position to help reduce background noise.

"N" is normal, "L" is low.

CONNECTING A LOUROE MICROPHONE DIRECTLY TO AN IP CAMERA, ENCODER OR DVR WITH 3.5mm MONO AUDIO INPUT



OTHER PLUGS WIRING CONFIGURATION

