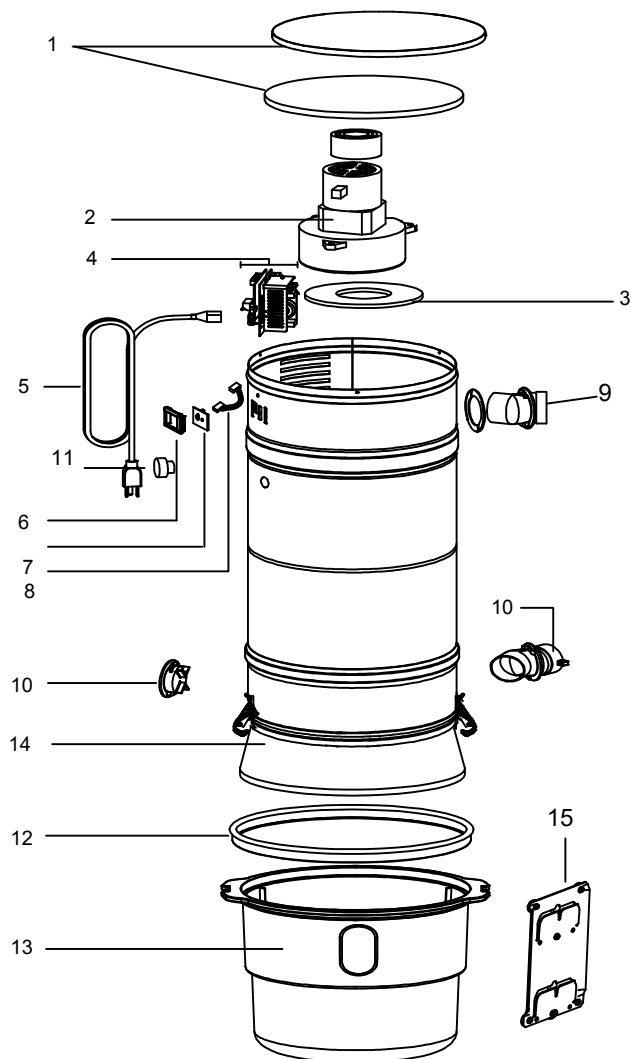


# SMP400



**Updated: November 22, 2023**

- 1 115057 Lid-WG 11" w/Foam
- 2 140434 Motor: Boxed (VJ1-PY27-1) 120V
- 3 145507 Motor Gasket
- 4 100630 ECS 120V Low with Kit Electronic
- 5 100346 Cord
- 6 115077 SUI Cover
- 7 100601 Control Module SUI Board
- 8 100602 Wire Harness ECS/SUI
- 9 105213 Exhaust Fitting w/Gasket
- 10 105147 Blk Atlis Intake
- 11 155325 Pressure Relief Valve
- 12 195001 Receptacle Gasket-Sm Dia
- 13 120309 4 Gal. Dirt Receptacle-FRW-w wndw
- 14 110347 Filter Bag
- 15 145330 Wall Mounting Bracket
- NP 145133 Motor Spring, sold separately (4 reqd)



Our parts policy is to carry the most current color/version of any particular part.