

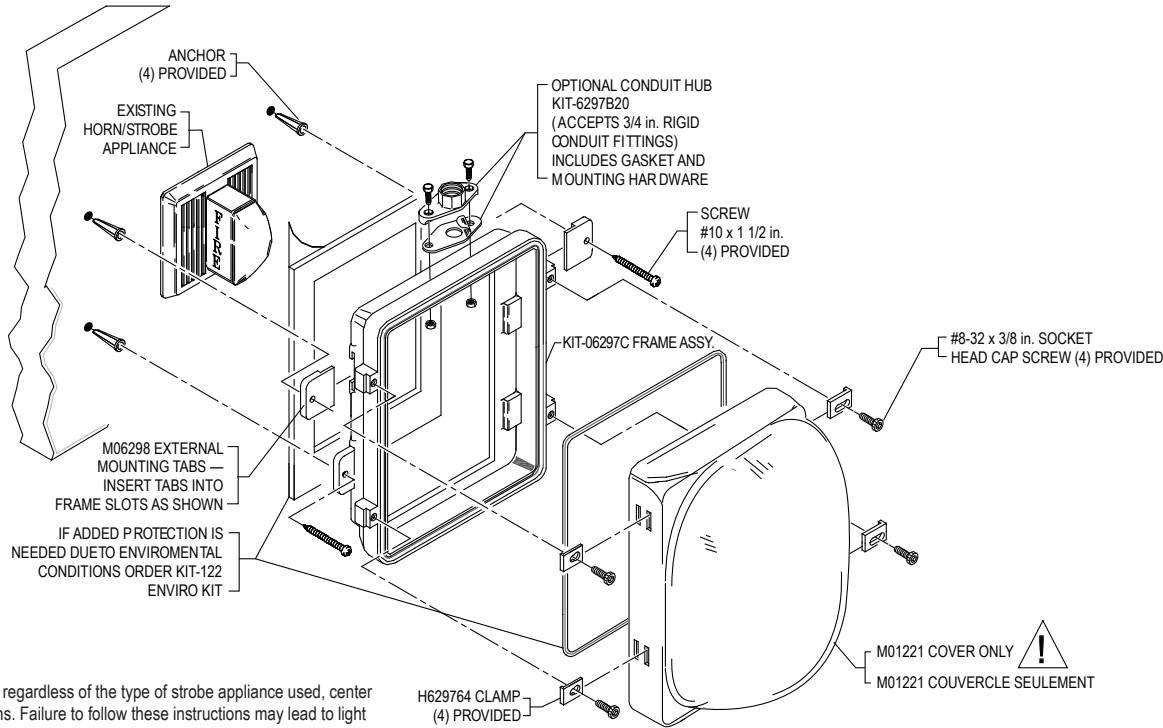


# Safety Technology International

2306 Airport Road  
Waterford • Michigan • 48327-1209  
Phone: 248-673-9898  
E-mail: info@sti-usa.com • Web: www.sti-usa.com

Taylor House • 34 Sherwood Road • Bromsgrove  
Worcestershire • B60 3DR • England  
Tel: +44 (0)1527 520 999  
E-mail: info@sti-emea.com • Web: www.sti-emea.com

Unit 7A • Lockheed Avenue  
Airport Business Park  
Waterford • X91 HWF2 • Ireland  
E-mail: info@sti-emea.com



## INSTALLATION NOTES

- To minimize strobe light loss, regardless of the type of strobe appliance used, center cover over the strobe light lens. Failure to follow these instructions may lead to light loss transmission.
- Damage Stopper must be installed to comply with applicable NEC, NFPA and local codes.
- In applications where wash downs, rainfall or condensation occur, it is recommended that a drain or weep hole be provided. Refer to weep hole installation diagram.
- Damage Stopper may be installed outdoors when appliance carries an outdoor rating.

## REMARQUES SUR L'INSTALLATION

- Afin de minimiser la perte de lumière stroboscopique, quel que soit le type de stroboscope utilisé, le couvercle doit être centré sur l'objectif stroboscopique. Le fait d'omettre ces instructions risque d'entraîner la perte de diffusion de la lumière.
- Le Stopper de dégâts doit être installé de sorte à être conforme avec les normes NEC, NFPA applicables et les codes locaux.
- Dans les applications où des jets d'eau, des précipitations ou de la condensation se produisent, il est recommandé de prévoir un trou de vidange ou une barbacane. Reportez-vous à schéma d'installation d'une barbacane.
- Il est possible d'installer un Stopper de dégâts à l'extérieur lorsque l'appareil est homologué pour utilisation à l'extérieur.

## INSTALLATION INSTRUCTIONS - REFER TO EXPLODED VIEW

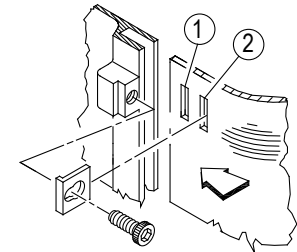
- Insert the (4) M06297T external mounting tabs into the frame assembly slots.
- Using back box assembly as a template, place against mounting surface at proper location according to NFPA 72.
- Mark and drill (4) holes 1/4 in. (6.3mm) diameter, 1 1/4 in. (32mm) deep.
- Insert the (4) anchors into the wall.
- Mount back box to wall with screws.
- Install electrical fittings as needed.
- Install strobe appliance.
- Install cover with clips and screws.
- Test appliance according to appliance manufacturer's instructions.

## CLEANING INSTRUCTIONS

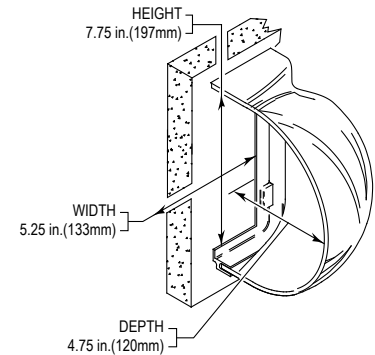
Rinse with water to remove abrasive dust and dirt. Wash with soap or mild detergent, using a soft cloth (do not scrub). Rinse once more then dry with a soft cloth or chamois. To remove grease or wet paint, rub gently with a cloth wetted with naphtha. Then wash and rinse.  
**DO NOT USE RAZOR BLADES.**

**WARNING:** This product can expose you to chemicals including Dichloromethane, which is known to the State of California to cause cancer, and Bisphenol A (BPA), which is known to the State of California to cause birth defects or other reproductive harm. For more information go to [www.P65Warnings.ca.gov](http://www.P65Warnings.ca.gov).

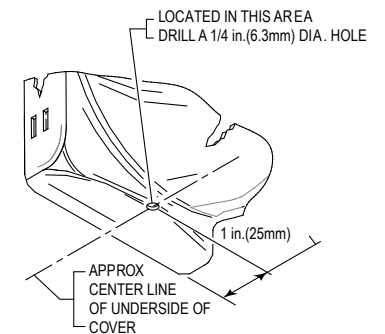
Three year warranty or a one year limited warranty (from date of purchase) on most products. See website for details. Electronic warranty form at [www.sti-usa.com/wc14](http://www.sti-usa.com/wc14).



INSTALL CLAMP IN 2nd NOTCH AS SHOWN



## INTERNAL DIMENSIONS



WEEP HOLE INSTALLATION



USA

## STI-1221C STROBE DAMAGE STOPPER®

All specifications and information shown were current as of publication and are subject to change without notice.



1221CIS APRIL2006



EMEA

## UL INSTALLATION REQUIREMENTS STI-1210 / STI-1221 SERIES

### CAUTION

- This enclosure is rated to protect signaling appliances indoors and in areas of indirect weather exposure. The cover may be used outdoors only with devices also suitable for outdoor use.
- When covering fire-signaling appliances with this enclosure, some light and sound loss occurs. Please follow these guidelines listed during installation.
- Voice speaker appliance: No spacing adjustment is required for 0.5W, 1.0W and 2.0W appliances.
- Refer to the appliance manufacturer's candela rating. Multiply this number by the light loss value from the chart below to determine the new candela rating. Use this number and refer to the notification layout table of NFPA 72 for proper device locations.
- The use of this cover on audible devices decreases the sound output by 6dB(A). Actual sound level output should be checked after installation to determine if adequate sound levels exist. Refer to the notification layout table of NFPA 72 for proper device locations.

### Attention

- Ce boîtier est homologué pour protéger les appareils de signalisation d'incendie à l'intérieur et dans les zones d'exposition indirecte aux intempéries. Le couvercle ne peut être utilisé à l'extérieur qu'avec les appareils appropriés pour une utilisation à l'extérieur aussi.
- Le fait de couvrir les appareils de signalisation d'incendie au moyen de ce boîtier risque d'entraîner une certaine perte lumineuse et sonore. Veuillez vous conformer à ces directives lors de l'installation.
- Haut-parleur: Aucun ajustement de distance n'est nécessaire pour les appareils à tension de 0,5 W, 1,0 W et 2,0 W.
- Reportez-vous à la cote candéla du fabricant de l'appareil. Multipliez cette valeur par la valeur de la perte de lumière du tableau ci-dessous pour déterminer la nouvelle cote candéla. Utilisez cette nouvelle valeur et reportez-vous au tableau de disposition des alertes de la norme NFPA 72 pour les emplacements appropriés de l'appareil.
- L'utilisation de ce couvercle sur les dispositifs sonores diminue la puissance sonore de 6 dB(A). Le niveau réel de la sortie sonore doit être vérifié après l'installation pour déterminer le maintien de niveaux sonores adéquats. Reportez-vous au tableau de disposition des alertes de la norme NFPA 72 pour les emplacements appropriés de l'appareil.

### Performance Review - LIGHT DERATING FACTOR

| MANUFACTURER            | SERIES                      | STI-1210 | STI-1221/1221A4X | MANUFACTURER | SERIES           | STI-1210 | STI-1221/1221A4X |
|-------------------------|-----------------------------|----------|------------------|--------------|------------------|----------|------------------|
| ADT SECURITY            | ADTG1-V SERIES              | 40%      | 34%              | HONEYWELL    | XLS202 SERIES    | 43%      | 45%              |
| AMSECO                  | SL24W-153075                | 47%      | 26%              | HONEYWELL    | XLSG1-HV SERIES  | 40%      | 34%              |
| AMSECO - COLORED LENSES | SL24W-153075 A, B, G, OR R  | 47%      | 26%              | HONEYWELL    | XLSG1-HOV SERIES | 40%      | 34%              |
| AMSECO - COLORED LENSES | SL24C-3075110 A, B, G, OR R | 47%      | 26%              | MIRCOM       | FS-240           | 47%      | 26%              |
| AMSECO - COLORED LENSES | CSL24W-A, B, G, OR R        | 47%      | 26%              | MIRCOM       | MS SERIES        | 43%      | 45%              |
| AMSECO - COLORED LENSES | CSL24C-A, B, G, OR R        | 47%      | 26%              | MIRCOM       | MG1-V SERIES     | 40%      | 34%              |
| DETECTION SYSTEMS       | GES24 SERIES                | —        | 31%              | MIRCOM       | MG1-HV SERIES    | 40%      | 34%              |
| EST/EDWARDS             | 2440S SERIES                | 43%      | 45%              | MIRCOM       | MG1-HOV SERIES   | 40%      | 34%              |
| EST/EDWARDS             | 202 SERIES                  | 43%      | 45%              | MIRCOM       | MG1-V SERIES     | 40%      | 34%              |
| EST/EDWARDS             | G1-V SERIES                 | 40%      | 34%              | MIRCOM       | MG1-HV SERIES    | 40%      | 34%              |
| EST/EDWARDS             | G1-HV SERIES                | 40%      | 34%              | MIRCOM       | MG1-HOV SERIES   | 40%      | 34%              |
| EST/EDWARDS             | G1-HOV SERIES               | 40%      | 34%              | MIRCOM       | MG1-V SERIES     | 40%      | 34%              |
| EST/EDWARDS             | EG1-V SERIES                | 40%      | 34%              | MIRCOM       | MG1-HV SERIES    | 40%      | 34%              |
| EST/EDWARDS             | EG1-HV SERIES               | 40%      | 34%              | MIRCOM       | MG1-HOV SERIES   | 40%      | 34%              |
| EST/EDWARDS             | EG1-HOV SERIES              | 40%      | 34%              | MIRCOM       | MG1-V SERIES     | 40%      | 34%              |
| FARADAY LLC             | 2700                        | —        | 57%              | MIRCOM       | MG1-HV SERIES    | 40%      | 34%              |
| GENTEX                  | GES24 SERIES                | —        | 31%              | MIRCOM       | MG1-HOV SERIES   | 40%      | 34%              |
| HARRINGTON SIGNAL       | GES24 SERIES                | —        | 31%              | MIRCOM       | MG1-V SERIES     | 40%      | 34%              |
| HONEYWELL               | XLSG1-V SERIES              | 40%      | 34%              | MIRCOM       | MG1-HV SERIES    | 40%      | 34%              |
|                         |                             |          |                  | MIRCOM       | MG1-HOV SERIES   | 40%      | 34%              |
|                         |                             |          |                  | MIRCOM       | MG1-V SERIES     | 40%      | 34%              |
|                         |                             |          |                  | MIRCOM       | MG1-HV SERIES    | 40%      | 34%              |
|                         |                             |          |                  | MIRCOM       | MG1-HOV SERIES   | 40%      | 34%              |
|                         |                             |          |                  | MIRCOM       | MG1-V SERIES     | 40%      | 34%              |
|                         |                             |          |                  | MIRCOM       | MG1-HV SERIES    | 40%      | 34%              |
|                         |                             |          |                  | MIRCOM       | MG1-HOV SERIES   | 40%      | 34%              |
|                         |                             |          |                  | MIRCOM       | MG1-V SERIES     | 40%      | 34%              |
|                         |                             |          |                  | MIRCOM       | MG1-HV SERIES    | 40%      | 34%              |
|                         |                             |          |                  | MIRCOM       | MG1-HOV SERIES   | 40%      | 34%              |
|                         |                             |          |                  | MIRCOM       | MG1-V SERIES     | 40%      | 34%              |
|                         |                             |          |                  | MIRCOM       | MG1-HV SERIES    | 40%      | 34%              |
|                         |                             |          |                  | MIRCOM       | MG1-HOV SERIES   | 40%      | 34%              |
|                         |                             |          |                  | MIRCOM       | MG1-V SERIES     | 40%      | 34%              |
|                         |                             |          |                  | MIRCOM       | MG1-HV SERIES    | 40%      | 34%              |
|                         |                             |          |                  | MIRCOM       | MG1-HOV SERIES   | 40%      | 34%              |
|                         |                             |          |                  | MIRCOM       | MG1-V SERIES     | 40%      | 34%              |
|                         |                             |          |                  | MIRCOM       | MG1-HV SERIES    | 40%      | 34%              |
|                         |                             |          |                  | MIRCOM       | MG1-HOV SERIES   | 40%      | 34%              |
|                         |                             |          |                  | MIRCOM       | MG1-V SERIES     | 40%      | 34%              |
|                         |                             |          |                  | MIRCOM       | MG1-HV SERIES    | 40%      | 34%              |
|                         |                             |          |                  | MIRCOM       | MG1-HOV SERIES   | 40%      | 34%              |
|                         |                             |          |                  | MIRCOM       | MG1-V SERIES     | 40%      | 34%              |
|                         |                             |          |                  | MIRCOM       | MG1-HV SERIES    | 40%      | 34%              |
|                         |                             |          |                  | MIRCOM       | MG1-HOV SERIES   | 40%      | 34%              |
|                         |                             |          |                  | MIRCOM       | MG1-V SERIES     | 40%      | 34%              |
|                         |                             |          |                  | MIRCOM       | MG1-HV SERIES    | 40%      | 34%              |
|                         |                             |          |                  | MIRCOM       | MG1-HOV SERIES   | 40%      | 34%              |
|                         |                             |          |                  | MIRCOM       | MG1-V SERIES     | 40%      | 34%              |
|                         |                             |          |                  | MIRCOM       | MG1-HV SERIES    | 40%      | 34%              |
|                         |                             |          |                  | MIRCOM       | MG1-HOV SERIES   | 40%      | 34%              |
|                         |                             |          |                  | MIRCOM       | MG1-V SERIES     | 40%      | 34%              |
|                         |                             |          |                  | MIRCOM       | MG1-HV SERIES    | 40%      | 34%              |
|                         |                             |          |                  | MIRCOM       | MG1-HOV SERIES   | 40%      | 34%              |
|                         |                             |          |                  | MIRCOM       | MG1-V SERIES     | 40%      | 34%              |
|                         |                             |          |                  | MIRCOM       | MG1-HV SERIES    | 40%      | 34%              |
|                         |                             |          |                  | MIRCOM       | MG1-HOV SERIES   | 40%      | 34%              |
|                         |                             |          |                  | MIRCOM       | MG1-V SERIES     | 40%      | 34%              |
|                         |                             |          |                  | MIRCOM       | MG1-HV SERIES    | 40%      | 34%              |
|                         |                             |          |                  | MIRCOM       | MG1-HOV SERIES   | 40%      | 34%              |
|                         |                             |          |                  | MIRCOM       | MG1-V SERIES     | 40%      | 34%              |
|                         |                             |          |                  | MIRCOM       | MG1-HV SERIES    | 40%      | 34%              |
|                         |                             |          |                  | MIRCOM       | MG1-HOV SERIES   | 40%      | 34%              |
|                         |                             |          |                  | MIRCOM       | MG1-V SERIES     | 40%      | 34%              |
|                         |                             |          |                  | MIRCOM       | MG1-HV SERIES    | 40%      | 34%              |
|                         |                             |          |                  | MIRCOM       | MG1-HOV SERIES   | 40%      | 34%              |
|                         |                             |          |                  | MIRCOM       | MG1-V SERIES     | 40%      | 34%              |
|                         |                             |          |                  | MIRCOM       | MG1-HV SERIES    | 40%      | 34%              |
|                         |                             |          |                  | MIRCOM       | MG1-HOV SERIES   | 40%      | 34%              |
|                         |                             |          |                  | MIRCOM       | MG1-V SERIES     | 40%      | 34%              |
|                         |                             |          |                  | MIRCOM       | MG1-HV SERIES    | 40%      | 34%              |
|                         |                             |          |                  | MIRCOM       | MG1-HOV SERIES   | 40%      | 34%              |
|                         |                             |          |                  | MIRCOM       | MG1-V SERIES     | 40%      | 34%              |
|                         |                             |          |                  | MIRCOM       | MG1-HV SERIES    | 40%      | 34%              |
|                         |                             |          |                  | MIRCOM       | MG1-HOV SERIES   | 40%      | 34%              |
|                         |                             |          |                  | MIRCOM       | MG1-V SERIES     | 40%      | 34%              |
|                         |                             |          |                  | MIRCOM       | MG1-HV SERIES    | 40%      | 34%              |
|                         |                             |          |                  | MIRCOM       | MG1-HOV SERIES   | 40%      | 34%              |
|                         |                             |          |                  | MIRCOM       | MG1-V SERIES     | 40%      | 34%              |
|                         |                             |          |                  | MIRCOM       | MG1-HV SERIES    | 40%      | 34%              |
|                         |                             |          |                  | MIRCOM       | MG1-HOV SERIES   | 40%      | 34%              |
|                         |                             |          |                  | MIRCOM       | MG1-V SERIES     | 40%      | 34%              |
|                         |                             |          |                  | MIRCOM       | MG1-HV SERIES    | 40%      | 34%              |
|                         |                             |          |                  | MIRCOM       | MG1-HOV SERIES   | 40%      | 34%              |
|                         |                             |          |                  | MIRCOM       | MG1-V SERIES     | 40%      | 34%              |
|                         |                             |          |                  | MIRCOM       | MG1-HV SERIES    | 40%      | 34%              |
|                         |                             |          |                  | MIRCOM       | MG1-HOV SERIES   | 40%      | 34%              |
|                         |                             |          |                  | MIRCOM       | MG1-V SERIES     | 40%      | 34%              |
|                         |                             |          |                  | MIRCOM       | MG1-HV SERIES    | 40%      | 34%              |
|                         |                             |          |                  | MIRCOM       | MG1-HOV SERIES   | 40%      | 34%              |
|                         |                             |          |                  | MIRCOM       | MG1-V SERIES     | 40%      | 34%              |
|                         |                             |          |                  | MIRCOM       | MG1-HV SERIES    | 40%      | 34%              |
|                         |                             |          |                  | MIRCOM       | MG1-HOV SERIES   | 40%      | 34%              |
|                         |                             |          |                  | MIRCOM       | MG1-V SERIES     | 40%      | 34%              |
|                         |                             |          |                  | MIRCOM       | MG1-HV SERIES    | 40%      | 34%              |
|                         |                             |          |                  | MIRCOM       | MG1-HOV SERIES   | 40%      | 34%              |
|                         |                             |          |                  | MIRCOM       | MG1-V SERIES     | 40%      | 34%              |
|                         |                             |          |                  | MIRCOM       | MG1-HV SERIES    | 40%      | 34%              |
|                         |                             |          |                  | MIRCOM       | MG1-HOV SERIES   | 40%      | 34%              |
|                         |                             |          |                  | MIRCOM       | MG1-V SERIES     | 40%      | 34%              |
|                         |                             |          |                  | MIRCOM       | MG1-HV SERIES    | 40%      | 34%              |
|                         |                             |          |                  | MIRCOM       | MG1-HOV SERIES   | 40%      | 34%              |
|                         |                             |          |                  | MIRCOM       | MG1-V SERIES     | 40%      | 34%              |
|                         |                             |          |                  | MIRCOM       | MG1-HV SERIES    | 40%      | 34%              |
|                         |                             |          |                  | MIRCOM       | MG1-HOV SERIES   | 40%      | 34%              |
|                         |                             |          |                  | MIRCOM       | MG1-V SERIES     | 40%      | 34%              |
|                         |                             |          |                  | MIRCOM       | MG1-HV SERIES    | 40%      | 34%              |
|                         |                             |          |                  | MIRCOM       | MG1-HOV SERIES   | 40%      | 34%              |
|                         |                             |          |                  | MIRCOM       | MG1-V SERIES     | 40%      | 34%              |
|                         |                             |          |                  | MIRCOM       | MG1-HV SERIES    | 40%      | 34%              |
|                         |                             |          |                  | MIRCOM       | MG1-HOV SERIES   | 40%      | 34%              |
|                         |                             |          |                  | MIRCOM       | MG1-V SERIES     | 40%      | 34%              |
|                         |                             |          |                  | MIRCOM       | MG1-HV SERIES    | 40%      | 34%              |
|                         |                             |          |                  | MIRCOM       | MG1-HOV SERIES   | 40%      | 34%              |
|                         |                             |          |                  | MIRCOM       | MG1-V SERIES     | 40%      | 34%              |
|                         |                             |          |                  | MIRCOM       | MG1-HV SERIES    | 40%      | 34%              |
|                         |                             |          |                  | MIRCOM       | MG1-HOV SERIES   | 40%      | 34%              |
|                         |                             |          |                  | MIRCOM       | MG1-V SERIES     | 40%      | 34%              |
|                         |                             |          |                  | MIRCOM       | MG1-HV SERIES    | 40%      | 34%              |
|                         |                             |          |                  | MIRCOM       | MG1-HOV SERIES   | 40%      | 34%              |
|                         |                             |          |                  | MIRCOM       | MG1-V SERIES     | 40%      | 34%              |
|                         |                             |          |                  | MIRCOM       | MG1-HV SERIES    | 40%      | 34%              |
|                         |                             |          |                  | MIRCOM       | MG1-HOV SERIES   | 40%      | 34%              |
|                         |                             |          |                  | MIRCOM       | MG1-V SERIES     | 40%      | 34%              |
|                         |                             |          |                  | MIRCOM       | MG1-HV SERIES    | 40%      | 34%              |
|                         |                             |          |                  | MIRCOM       | MG1-HOV SERIES   | 40%      | 34%              |
|                         |                             |          |                  | MIRCOM       | MG1-V SERIES     | 40%      | 34%              |
|                         |                             |          |                  | MIRCOM       | MG1-HV SERIES    | 40%      | 34%              |
|                         |                             |          |                  | MIRCOM       | MG1-HOV SERIES   | 40%      | 34%              |
|                         |                             |          |                  | MIRCOM       | MG1-V SERIES     | 40%      | 34%              |
|                         |                             |          |                  | MIRCOM       | MG1-HV SERIES    | 40%      | 34%              |
|                         |                             |          |                  | MIRCOM       | MG1-HOV SERIES   | 40%      | 34%              |
|                         |                             |          |                  | MIRCOM       | MG1-V SERIES     | 40%      | 34%              |
|                         |                             |          |                  | MIRCOM       | MG1-HV SERIES    | 40%      | 34%              |
|                         |                             |          |                  | MIRCOM       | MG1-HOV SERIES   | 40%      | 34%              |
|                         |                             |          |                  | MIRCOM       | MG1-V SERIES     | 40%      | 34%              |
|                         |                             |          |                  | MIRCOM       | MG1-HV SERIES    | 40%      | 34%              |
|                         |                             |          |                  | MIRCOM       | MG1-HOV SERIES   | 40%      | 34%              |
|                         |                             |          |                  | MIRCOM       | MG1-V SERIES     | 40%      | 34%              |
|                         |                             |          |                  | MIRCOM       | MG1-HV SERIES    | 40%      | 34%              |
|                         |                             |          |                  | MIRCOM       | MG1-HOV SERIES   | 40%      | 34%              |
|                         |                             |          |                  | MIRCOM       | MG1-V SERIES     | 40%      | 34%              |
|                         |                             |          |                  | MIRCOM       | MG1-HV SERIES    | 40%      | 34%              |
|                         |                             |          |                  | MIRCOM       | MG1-HOV SERIES   | 40%      | 34%              |
|                         |                             |          |                  | MIRCOM       | MG1-V SERIES     | 40%      | 34%              |
|                         |                             |          |                  | MIRCOM       | MG1-HV SERIES    | 40%      | 34%              |
|                         |                             |          |                  | MIRCOM       | MG1-HOV SERIES   | 40%      | 34%              |
|                         |                             |          |                  | MIRCOM       | MG1-V SERIES     | 40%      | 34%              |
|                         |                             |          |                  | MIRCOM       | MG1-HV SERIES    | 40%      | 34%              |
|                         |                             |          |                  | MIRCOM       | MG1-HOV SERIES   | 40%      | 34%              |
|                         |                             |          |                  | MIRCOM       | MG1-V SERIES     | 40%      | 34%              |
|                         |                             |          |                  | MIRCOM       | MG1-HV SERIES    | 40%      | 34%              |
|                         |                             |          |                  | MIRCOM       | MG1-HOV SERIES   | 40%      | 34%              |
|                         |                             |          |                  | MIRCOM       | MG1-V SERIES     | 40%      | 34%              |
|                         |                             |          |                  | MIRCOM       | MG1-HV SERIES    | 40%      | 34%              |
|                         |                             |          |                  | MIRCOM       | MG1-HOV SERIES   | 40%      | 34%              |
|                         |                             |          |                  | MIRCOM       | MG1-V SERIES     | 40%      | 34%              |
|                         |                             |          |                  | MIRCOM       | MG1-HV SERIES    | 40%      | 34%              |
|                         |                             |          |                  | MIRCOM       | MG1-HOV SERIES   | 40%      | 34%              |
|                         |                             |          |                  | MIRCOM       | MG1-V SERIES     | 40%      | 34%              |
|                         |                             |          |                  | MIRCOM       | MG1-HV SERIES    | 40%      | 34%              |
|                         |                             |          |                  | MIRCOM       | MG1-HOV SERIES   | 40%      | 34%              |
|                         |                             |          |                  | MIRCOM       | MG1-V SERIES     | 40%      | 34%              |
|                         |                             |          |                  | MIRCOM       | MG1-HV SERIES    | 40%      | 34%              |
|                         |                             |          |                  | MIRCOM       | MG1-HOV SERIES   | 40%      | 34%              |
|                         |                             |          |                  | MIRCOM       | MG1-V SERIES     | 40%      | 34%              |
|                         |                             |          |                  | MIRCOM       | MG1-HV SERIES    | 40%      | 34%              |
|                         |                             |          |                  | MIRCOM       | MG1-HOV SERIES   | 40%      | 34%              |
|                         |                             |          |                  | MIRCOM       | MG1-V SERIES     | 40%      | 34%              |
|                         |                             |          |                  | MIRCOM       | MG1-HV SERIES    | 40%      | 34%              |
|                         |                             |          |                  | MIRCOM       | MG1-HOV SERIES   | 40%      | 34%              |
|                         |                             |          |                  | MIRCOM       | MG1-V SERIES     | 40%      | 34%              |
|                         |                             |          |                  | MIRCOM       | MG1-HV SERIES    | 40%      | 34%              |
|                         |                             |          |                  | MIRCOM       | MG1-HOV SERIES   | 40%      | 34%              |
|                         |                             |          |                  | MIRCOM       | MG1-V SERIES     | 40%      | 34%              |
|                         |                             |          |                  | MIRCOM       | MG1-HV SERIES    | 40%      | 34%              |
|                         |                             |          |                  | MIRCOM       | MG1-HOV SERIES   | 40%      | 34%              |
|                         |                             |          |                  | MIRCOM       | MG1-V SERIES     | 40%      | 34%              |
|                         |                             |          |                  | MIRCOM       | MG1-HV SERIES    | 40%      | 34%              |
|                         |                             |          |                  | M            |                  |          |                  |