

VZ-238PM-HDR

23.8" 3D LUT VIDEO PRODUCTION 4K HDMI MONITOR



VZ-238PM-HDR is a monitor with a 23.8" 10-bit IPS screen that has multiple viewing options, including quad and multi-view. VZ-238PM-HDR provides HDR, 3D LUT and Color Space (Built in Rec.709, EBU, SMPTE-C, DCI-P3).



It supports ST2084 Dolby's Perceptual Quantisation



3Gbps SDI, automatically adapts to SMPTE and ITU digital video standards for 3G-SDI, HD-SDI and SD-SDI and provides two inputs and one loop-through



Wide color gamut range to make precise color reproduction of Rec. 709 color space with built-in 3D LUT



Provides a 3840x2160 resolution and use 23.8" IPS panel with wide viewing angles 178°x178°



It accepts three AC (US Standard Inlet) /DC (XLR) / Battery (IDX Bracket) Power Operations



Supports quad view/PBP/PIP



Provides a protective glass

MODEL #		VZ-238PM-HDR
DISPLAY		
Screen Size		23.8"
Max. Resolution		3840 x 2160 (4K) IPS pixel
Pixel Pitch		0.13725 mm x 0.13725 mm
Brightness		400 cd/m ² (Typical)
Contrast Ratio		1000 : 1
Aspect Ratio		16 : 9
Viewing Angle (H/V)		178° / 178°
Color Depth		1.07 B
INTERFACE		
3G SDI In / Out		2 / 1 (Loop-through)
HDMI (2.0) In / Out		4 (4K@60Hz) / 1 (Loop-through)
USB		1
INPUT FORMAT		
SDI	SMPTE-125M	480i (59.94 / 60)
	SMPTE-274M	1920 x 1080psf (23.98 / 24 / 25 / 29.97 / 30) 1920 x 1080i (50 / 59.94 / 60)
	SMPTE-292M	1920 x 1080p (23.98 / 24 / 25 / 29.97 / 30 / 50 / 59.94 / 60)
	SMPTE-296M	1280 x 720 p (50 / 59.94 / 60)
	ITU-R BT.656	576i (50)
HDMI		720 x 480i (59.94 / 60), 720 x 480p (59.94 / 60)
		720 x 576i (50), 720 x 576p (50)
		720 x 480p (50 / 59.94 / 60)
		1920 x 1080i (50 / 59.94 / 60)
		1920 x 1080p (24 / 25 / 29.97 / 30 sF)
		1920 x 1080p (23.98 / 24 / 25 / 29.97 / 30 / 50 / 59.94 / 60)
		3840 x 2160p (24 / 25 / 30 / 59.94 / 60)
		4096 x 2160p (23.98 / 24 / 25 / 29.97 / 30 / 50 / 59.94 / 60)
DIMENSIONS & WEIGHT		
Outline Dimension (WxHxD)		21.96 x 15.55 x 1.6" / 558 x 395 x 40.8 mm
Net / Gross Weight		18.73 lb (8.5 kg) / 20.06 lb (9.1 kg)
AUDIO		
Built in speaker		Support
GENERAL		
Power	Electrical Ratings Consumption	XLR-4p (DC 12~24V) / AC 100 ~ 240V (50/60Hz) ≤ 36 W
Warranty		2 Years
Operating Temperature		-4 ~ 140°F / -20 ~ 60°C
Humidity at High Operating Temperature		10 ~ 90% RH
Storage Temperature		-22 ~ 140°F / -30 ~ 60°C
Battery Plate		V-mount (IDX BRACKET)
Package Include		Manual x 1, Desktop Stand Set x 1, HDMI Cable x 1, AC Power Cable x 1, Protective Front Glass x 1
Option		Aluminium Carrying Case, Field Hood

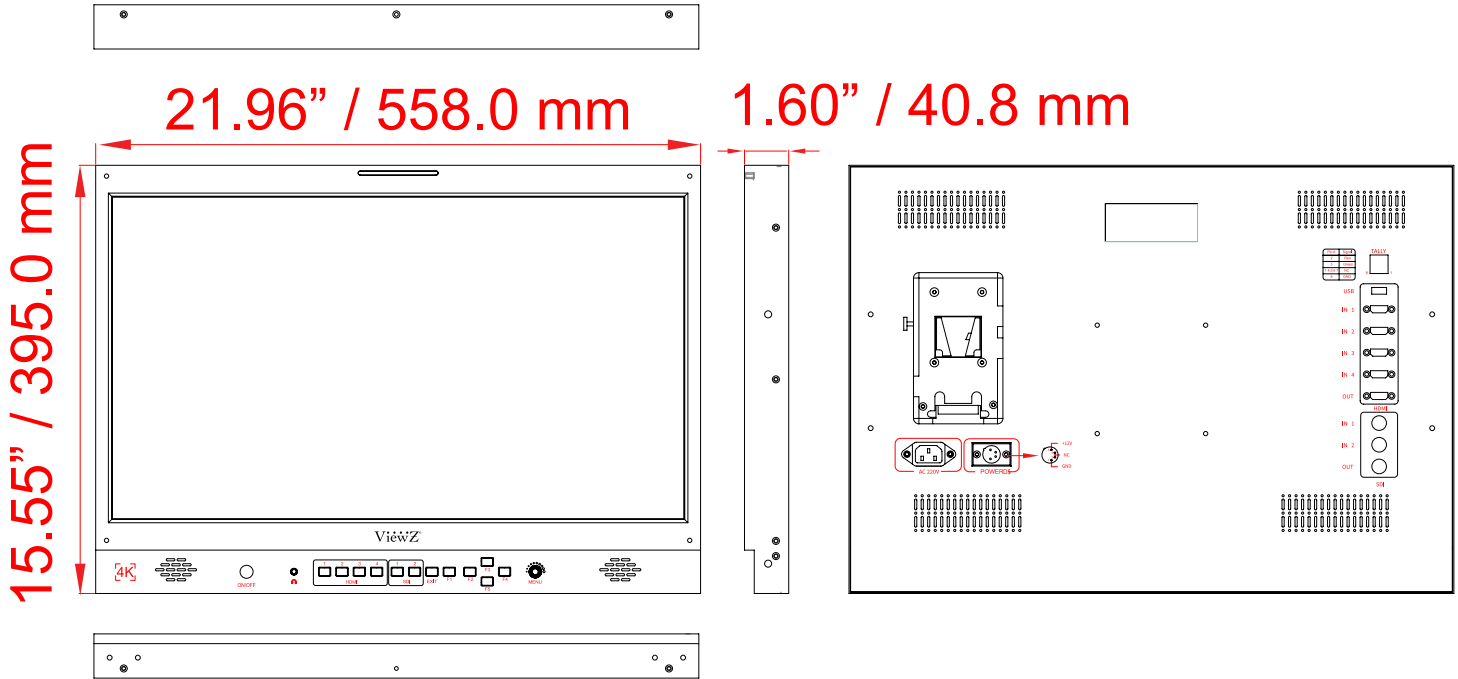
VZ-238PM-HDR ADVANTAGES

- HDR (HDMI) PQ supported
- 3D-LUT (built in EBU / SMPTE / REC.709 / DCI-P3)
- Gamma 2.2, 2.4 and 2.6
- False Color / Display Swap / Aspect Ratio
- Center Marker / Safety Area
- Color / Mono
- Tally (Red, Yellow, Green)
- A Removable Protective Front Glass
- 3G-SDI 2 inputs and one loop-through
- 4K HDMI 4 inputs and one loop-through
- Battery Power Remain Information
- USB Firmware Upgrade

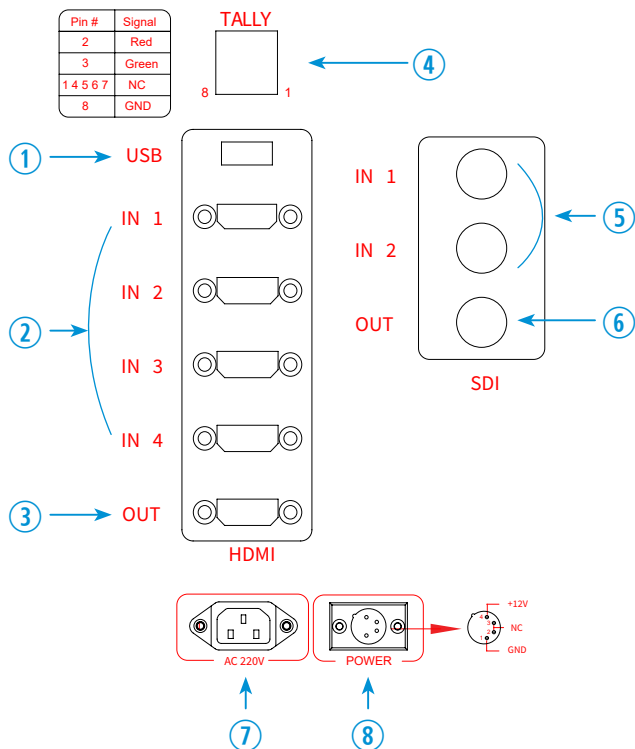
VZ-238PM-HDR

23.8" 3D LUT VIDEO PRODUCTION 4K HDMI MONITOR

DIMENSIONS



INTERFACE



1. USB In
2. HDMI IN x 4
3. HDMI OUT
4. TALLY
5. 3G-SDI IN x 2
6. 3G-SDI OUT
7. AC 100~240V IN
8. DC XLR 12V IN

Contact ViewZ

- Address : 1030 N ARMANDO ST., ANAHEIM, CA 92806
- Phone : (714) 996-1177, Fax : (714) 996-1138
- Sales : sales@viewzusa.com