

C5 Series

A/V credenza rack

unique design with integrated thermal management simplifies system design and minimize delays

features:

- Frame to Furniture™ design complements an integrator's installation workflow
- Fully assembled frames ship separately from furniture-grade panels
- Integrated, thermostatically controlled cooling quietly protects active electronics
- Available in 1, 2 and 3 bay models and two depths
- Unique design allows panels to be replaced quickly and easily
- Available in Moderno, Sota and Klasik Styles
- Standard finishes available: Veneer, High Pressure Laminate and Thermolaminate materials



specifications:

EIA Compliant 19" A/V Credenza Rack shall be Middle Atlantic Products model # C5FF-__ (refer to chart). Credenza Rack shall be available in 1, 2 or 3 bay configurations. Overall dimensions shall be 31-1/4" H x __W" x ___" D (refer to chart). Usable height shall be 14 rackspaces per bay. Rack frames shall ship fully assembled and be constructed of steel. Total weight capacity with Middle Atlantic finishing kit shall be 600 lbs., with a maximum of 350 lbs. to be placed on the top surface. Total weight capacity of the frame only (must take into account the weight of the customer supplied finishing kit) shall be 800 lbs. Each rack bay shall come equipped with 2 pairs of 11-gauge steel rackrail tapped with 10-32 mounting holes in universal EIA spacing, black e-coat finish and numbered rackspaces. Credenza rack shall have one 50 CFM thermostatically controlled proportional speed blower per bay. Exhaust air shall exit the front of the credenza for unrestricted air flow. Thermostatically controlled fans shall be powered on at 87°F and turn off at 85°F. Credenza rack shall require vent panel, model # C5-VENT-__ (refer to chart) and have venting on the top and bottom of the face of the rack. Credenza rack shall include two adjustable side mounted horizontal lacing bars for enhanced cable management. Credenza rack shall have a steel rear access panel. Credenza rack shall be finished in a durable black powder coat. Top, sides, and front doors shall ship separately from rack frame and be model # C5_K__-__DX. Top shall be constructed of 1-1/8" OR 1" thick triple refined MDF or Particle Board, sides shall be constructed of 3/4" OR 1" thick triple refined MDF or particle board, front doors shall be constructed of 3/4" thick triple refined MDF. Top, sides and front doors shall be available in a Moderno, Sota or Klasik styles. Front doors shall be solid or plexi. Top, sides and front doors shall be available in Veneer, High Pressure Laminate and Thermolaminate materials, visit middleatlantic.com for list of available finishes. Credenza rack shall include 4 fine floor casters. Credenza rack shall be GREENGUARD Gold Certified with the exception of Veneer finishes, which shall be GREENGUARD Certified. Credenza rack shall comply with the requirements of RoHS EU Directive 2002/95/EC. Credenza rack shall be manufactured by an ISO 9001 and ISO 14001 registered company. Credenza Rack frame shall be warrantied to be free from defects in material or workmanship under normal use and conditions for the lifetime of the rack, fans shall be warrantied for a period of three years and wood panels shall be warrantied for a period of 7 years.

Customizable specification clips available at middleatlantic.com

EIA/TIA COMPLIANT



PRODUCT CERTIFIED FOR
LOW CHEMICAL EMISSIONS
UL.COM/GG
UL 2818

options:

- Shelf System insert shall be model # C5-SH-SYS__ (refer to chart)
- Flip up side shelf shall be model # C5-__FS-__ (refer to chart)
- Slide out rotating rack bay shall have 12 rackspaces and be model C5D-SRSR12
- Adjustable Rail Bracket shall be model # C5-ARB__
- 1 bay rear door extender kit shall be model # C5-EXT-3
- Cable grommet shall be model # C5-CG-__
- Monitor mounts shall be part # C5MM-__-__
- Millwork kit shall be C5-MK__(frame depth - 27, 31)-__ (number of bays - 1,2,3)

what **great systems** are built on.™

A brand of **legrand**

Middle Atlantic Products

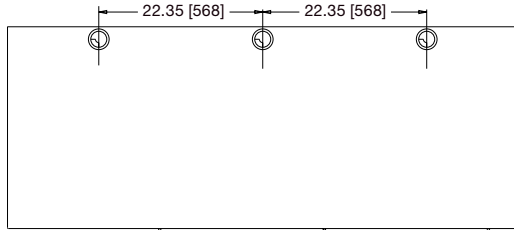
middleatlantic.com | middleatlantic.com

96-01195 / rev n / 9-29-16

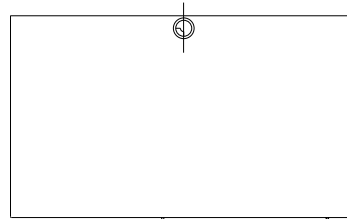
C5 Series: basic dimensions

all dimensions in inches unless otherwise noted [all dimensions in brackets are in millimeters]

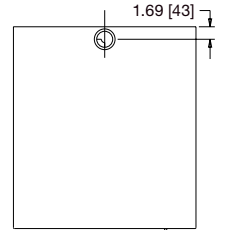
top view 3 bay



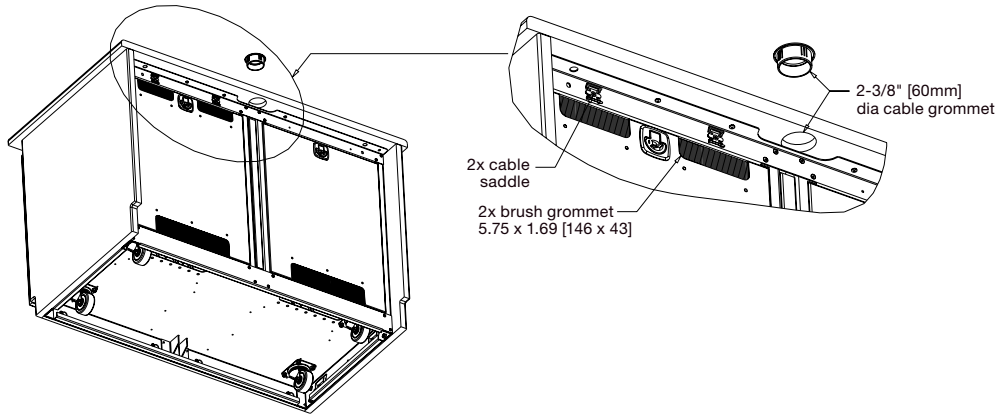
top view 2 bay



top view 1 bay



bottom view



Note:
when optional monitor mount is used, CG locations are eliminated where monitor is placed

Part Number	Respective Wood Finish
C5-CG-H	HPL
C5-CG-T	Thermolaminate
C5-CG-V	Veneer