

4036 Mortise Cylinder

4066 Thumbturn



Aluminum

Hollow
Metal

Wood

The 4036 Mortise Cylinder provides five-pin security with most Adams Rite deadlocks or deadlatches. The 4066 Thumbturn operates deadlocks or deadlatches without a key.

Function

4036

A standard 1" [25.4 mm] length, 1-5/32" [29.4 mm] diameter cylinder with five-pin tumbler security. Designed to operate any Adams Rite deadlock or deadlatch requiring a mortise cylinder. Close tolerance manufacturing achieve set screw grooves and cam geometry that are true on their respective center lines. This ensures proper mating and operation with the locking or latching mechanism. Select cam to suit particular Adams Rite deadlock or deadlatch.

4066

To operate deadlock or deadlatch without key. Interchanges with standard 1" [25.4 mm] length, 1-5/32" [29.4 mm] diameter mortise cylinder. Cams are available to suit the particular Adams Rite deadlock or deadlatch. See next page for cam specifications.



4036



4066

Features

Shell

4036: Aluminum with 313 Dark bronze anodized, 335 Black anodized, 628 Clear anodized finish. Plug is US26 (625) Bright chrome.

4066: Choice of three finishes: 130 to match 628 Clear anodized, 313 Dark bronze anodized, 335 Black anodized.

Trim Ring

Furnished. 1/4" [6.4 mm] thick, suitable for 1-3/4" [44.5 mm] thick doors. Available by special order for other door thicknesses.

Keying

All cylinders furnished with two keys per cylinder. Available in keyed different (KD), or keyed alike pairs (KA2). Keyed alike 50 are available

by special order in quantity of 50 cylinders only. Please contact factory for ordering information.

Standard Package

Individually packed with trim ring. 4036 furnished with keys.

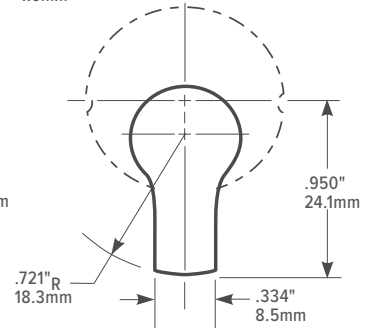
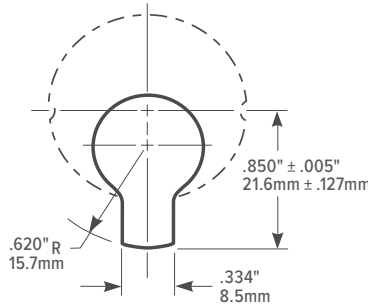
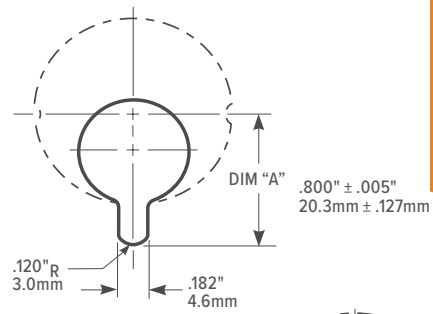
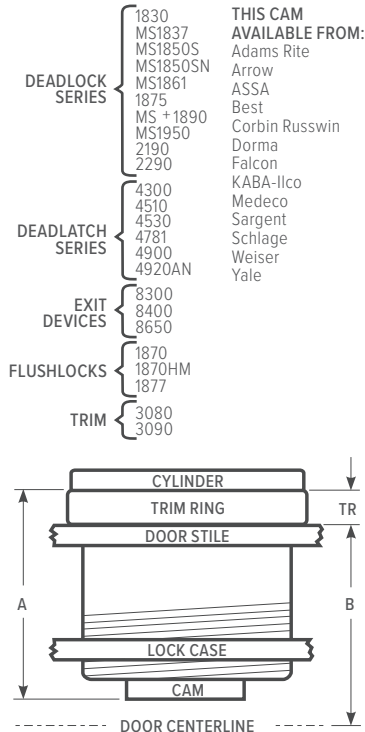
Shipping Weight

1/2 lb [0.23kg]

Cylinder by Others

Adams Rite deadlocks and deadlatches are designed to accept standard 1" [25.4 mm] length, 1-5/32" [29.4 mm] diameter mortise cylinders of all popular makes. This means that the entrance can be keyed to match the system used throughout the building on other types of doors. Care must be taken, however, to specify the proper cam for each type of lock, as these are not generally interchangeable. The cam shapes shown are available from the listed cylinder manufacturers and will be supplied by them with the cylinder when specified or available separately. Because of variations in the attachment of cams to cylinders and other construction differences, it is advisable to NOT attempt using one manufacturer's cylinder with another manufacturer's cam.

Dimensions



DIMENSIONS OF CAM TO OPERATE:
4070 SERIES DEADBOLT
This cam available from above cylinder manufacturers on special order

DIMENSIONS OF CAM TO OPERATE:
2331 DEADBOLT
This cam available from all cylinder manufacturers (standard cam)

CYLINDER TRIM RING FOR NARROW STILES
Narrow stile doors require a trim ring to fill the gap remaining between the cylinder shoulder and stile when a standard mortise cylinder is used. If the security of the hardened steel Adams Rite MS4043 Cylinder Guard is not required, this ring may be simply a length of 1.171 I.D. tubing. Its length varies depending on door thickness or cylinder make and number of pins. The specific length required can be quickly determined by the following formula:

FOR MS® LOCKS:
 $TR^* = A + .125 - B$

FOR 4500 SERIES LATCHES:
 $TR^* = A + .132 - B$

*TOLERANCE: ± .060
FOR 2190 TR* = A - B

"TR" is trim ring length.
"A" is cylinder height (less shoulder but including cam).
"B" is one-half of door thickness.

How to Order & Compatible Products

4036 Mortise Cylinder: Specify quantity and the following information. Order related products separately.

MODEL	LOCK TYPE	KEY OPTIONS*	FINISH
4036	-01	-01	-628
	01 For MS® Lock, 4900 Deadlatches, 2190	01 Keyed different	313 Dark Bronze Anodized
	02 For 4070 Deadlock	02 Keyed alike in pairs	335 Black Anodized
	03 For 2331 Deadlock		628 Clear Anodized

*Keyed alike 50 are available by special order in quantity of 50 cylinders only. Please contact factory for ordering information.

4066 Thumbturn: Specify quantity and the following information. Order related products separately.

MODEL	LOCK TYPE	FINISH
4066	-01	-130
	01 For MS® Lock, 4900 Deadlatches	130 To match 628 Clear Anodized
	02 For 4070 Deadlock	313 Dark Bronze Anodized
	03 For 2331 Deadlock	335 Black Anodized

COMPATIBLE PRODUCTS

DEADLOCKS	DEADLATCHES	FLUSHLOCKS	EXIT DEVICES	TRIM
1830, MS1837, MS1850S, MS1850S-050, MS1850SN, MS1850SN-050, MS1861, 1875, MS+1890, MS1950, MS1950-050, 2190, 2290 Series Deadlocks	4300 Electrified Deadlatches, 4510, 4530, 4900, 4920AN Series Deadlatches 4781 Two Point Deadlatch (4036 only)	1870, 1870HM, 1877 Series Cylinder-Operated Flushbolts	8300, 8400 Mortise Exit Devices, 8500, 8600 CVR Exit Devices w/8650 Cylinder Escutcheon	3080, 3080E Series Entry Trim, 3090-150