

Installation Guide for

Vaddio Drop-Down Mounts

This guide covers the following mounts:

- 535-2000-280 Drop-Down Mount for ePTZ Cameras - Short
- 535-2000-281 Drop-Down Mount for ePTZ Cameras - Long
- 535-2000-290 Drop-Down Mount for Small PTZ Cameras - Short
- 535-2000-291 Drop-Down Mount for Small PTZ Cameras - Long
- 535-2000-292 Drop-Down Mount for Large PTZ Cameras - Short
- 535-2000-293 Drop-Down Mount for Large PTZ Cameras - Long
- 535-2000-294 Offset Drop-Down Mount for Sony BRC Cameras, H900, Panasonic AW-HE130, Canon XU-80W
- 535-2000-296 Offset Drop-Down Mount for RoboSHOT and HD-Series PTZ Cameras
- 535-2000-045 Offset Drop-Down Pole for RoboTRAK Mount

What's Included

Some product photos do not show all included parts.

535-2000-280 and 535-2000-281, Drop-Down Mounts for ePTZ Cameras

- Tile support brace
- Washer, 5 in. (12.7 cm)
- Mounting flange
- Pipe, 15.5 in. (39 cm) or 27.5 in. (70 cm), depending on part number
- Hex nut, 1.5" x .375"
- Adapter, 1 in. NPT to 1-14
- ePTZ mount adapter nut
- Screws, 6-32 Phillips panhead, 0.25 in. (0.6 cm), qty. 2



535-2000-290 and 535-2000-291, Drop-Down Mounts for Small PTZ Cameras

- Tile support brace
- Washer, 5 in. (12.7 cm)
- Mounting flange
- Pipe, 12 in. (30 cm) or 24 in. (60 cm), depending on part number
- 1/4"-20 screw
- Hex nut, 1.5" x .55", qty. 2
- Hex nut, 1.5" x .375"
- Small camera platform



535-2000-292 and 535-2000-293, Drop-Down Mounts for Large PTZ Cameras

- Tile support brace
- Washer, 5 in. (12.7 cm)
- Mounting flange
- Pipe, 12 in. (30 cm) or 24 in. (61 cm), depending on part number
- 1/4"-20 screw
- Hex nut, 1.5" x .55", qty. 2
- Hex nut, 1.5" x .375"
- Large camera platform



535-2000-294 Offset Drop-Down Mount for Sony, Panasonic, Canon (camera not included)

- Pipe with offset, 26 in. (66 cm)
- 1/4"-20 screw
- Hex nut, 1.5" x .375"
- Large camera platform

535-2000-296 Offset Drop-Down Mount for RoboSHOT and HD-Series

- Tile support brace
- Washer, 5 in. (12.7 cm)
- Mounting flange
- Pipe with offset, 26 in. (66 cm)
- 1/4"-20 screw
- Hex nut, 1.5" x .55", qty. 2
- Hex nut, 1.5" x .375"
- Vaddiocamera platform

535-2000-045 Offset Drop-Down Pole for RoboTRAK Mount (double-decker mount is shipped with RoboTRAK systems)

- Tile support brace
- Washer, 5 in. (12.7 cm)
- Mounting flange
- Pipe with offset, 26 in. (66 cm)
- 1/4"-20 screw
- Hex nut, 1.5" x .55", qty. 2
- Hex nut, 1.5" x .375"



Tools You Will Need

Before you start, be sure you have what you need:

- Pencil
- Appropriate tool for cutting a hole in the ceiling
- #2 Phillips screwdriver
- Ladder or other means of access to the ceiling

You May Also Need...

If you are installing the enclosure in a suspended tile ceiling, you will need a safety wire kit to suspend the assembly. We recommend the Speed Connect Hardware Kit from Chief, part number [CMSHDW](#).

Selecting the Installation Area

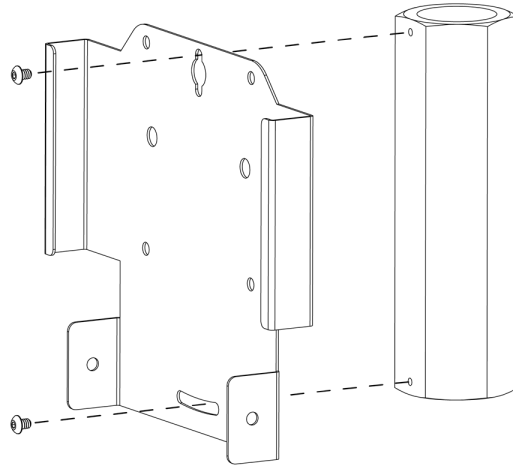
- Consider camera viewing angles and lighting conditions.
- Consider line-of-sight obstructions.
- If you are installing the mount in a drywall or other hard ceiling, be sure you know the locations of the ceiling joists.

Assembling the Mount

Attach the mounting flange to the upper end of the pipe. The threaded portion of this end is longer than on the lower end. Then attach the camera platform or ePTZ camera mount, as applicable:

For ePTZ camera mounts:

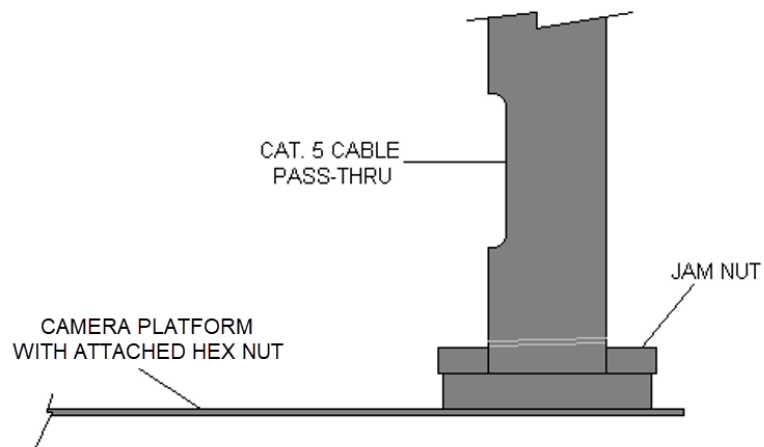
1. Use the two 6-32 screws to secure the camera wall mount to the adapter nut. The wall mount was shipped with the camera, not the Drop-Down Mount kit.



2. Attach the adapter nut to the lower end of the pipe.

For mounts with camera platforms:

1. Attach the largest hex nut to the lower end of the pipe. This will act as a jam nut. Tighten it all the way.
2. Attach the camera platform to the lower end of the pipe. Tighten it until it touches the jam nut, then loosen it to align it with the cable pass-through opening.
3. Turn the jam nut until it is tight against the camera platform nut.



Preparing the Ceiling

Follow the applicable procedure for the type of ceiling in which you are installing the enclosure.

Warning

Follow standard safety practices when using ladders or lifts. Failure to do so can result in injury or death. We like you, we don't want you to be injured or killed, and we hope you understand the gravity of the situation.

Note

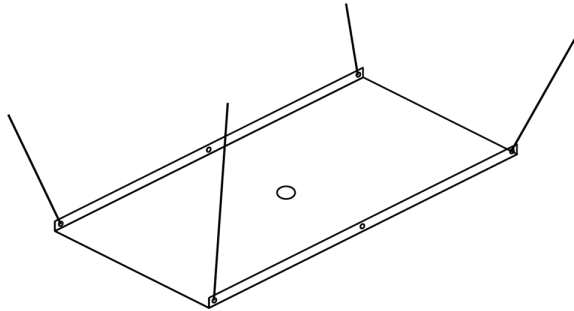
All above-ceiling work must conform to local building codes and should be performed by qualified personnel.

Suspended tile ceiling:

Warning

The drop-down mount weighs 7.1 to 11.1 lbs. (3.2 to 5 kg) without the camera. Suspend the tile brace with hanger wire. Failure to do so may result in injury, equipment damage, and ceiling damage.

1. Remove the ceiling tile where the mount will be installed.
2. Place the tile brace on the back of the ceiling tile and trace a circle for the opening.
3. Cut a 1 in. (2.5 cm) opening for the drop-down pole.
4. Place the tile back in the ceiling grid.
5. Place the tile brace above the tile, aligning it to the hole in the tile.
6. Secure the tile brace to the building structure (not the tile grid) and level it using appropriate hanger wire – we recommend the Speed Connect Hardware Kit from Chief, part number [CMSHDW](#).



7. Pull the camera cables.

Drywall or other hard ceiling:

1. Check before you trace the cutting line for the opening:
 - Is the location free from obstructions such as electrical conduits?
 - Is the location clear of the ceiling joists?
2. Cut the opening.
3. Raise the pipe into the opening and use the mounting flange as a template to mark the locations for mounting screws.
4. *If the ceiling is drywall (gypsum board):* Drill holes for the drywall anchors and install them.
If the ceiling is wood: Drill holes for the wood screws.
5. Pull the camera cables.

Installing the Mount

1. Raise the mount and guide the cables into the top of the pipe.
2. For ePTZ drop-down mounts, pull the cables out through the bottom of the pipe.
For other mounts, guide the cables out through the cable pass-through above the camera platform.
3. Secure the mount:
If installing in a tile ceiling, raise the mount into position, place the large washer over the pipe, and secure the pipe with one of the large hex nuts.
If installing in a hard ceiling, attach the mounting flange to the ceiling with the appropriate type of screws.

Installing the Camera

1. Connect the cable(s) to the camera.
2. Secure the camera:
For ePTZ cameras: Slide the camera into the mount. If the camera is designed to pivot in the mount, secure it with the camera mounting screws shipped with the camera. Then guide excess cable into the drop-down tube.
For mounts with camera platforms: Guide excess cable into the drop-down tube while positioning the camera. Then secure the camera to the platform with the included 1/4-20 camera mounting screw (s).
3. Rotate the drop-down pipe as needed to adjust the camera's position. If installing in a tile ceiling, optionally secure the drop-down pipe using the remaining large hex nut as a jam nut.

Vaddio is a brand of Legrand AV Inc. · www.legrandav.com · Phone 800.572.2011 / +1.763.971.4400 · Fax +1.763.971.4464 · Email av.vaddio.support@legrand.com

Vaddio is a registered trademark of Legrand AV Inc. All other brand names or marks are used for identification purposes and are trademarks of their respective owners. All patents are protected under existing designations. Other patents pending.

©2022 Legrand AV Inc.