

PRIMEX

Product Specifications

Tool-less Data/Voice Modules

8-Port Cat6

1. SUMMARY

The Primex 8-port Tool-less Data/Voice Modules are designed to connect quickly and easily without the need for punchdown tools. The signal is simply patched from the source to the desired outlet.

These Cat6 modules support up to 8 outlets and are designed with tool-less IDCs. The rugged frame features pushpin installation for quick connectivity in Primex in-premise enclosures.

They extend the networking functionality of the connected home in SFU and MDU applications while providing effective cable management.

2. DIMENSIONS

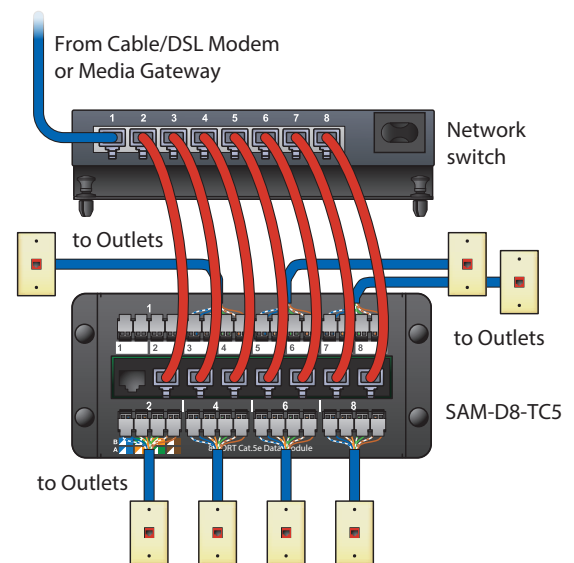
SIZE: 6.5" L x 3" W x 1.1" H

3. FEATURES & BENEFITS

- Eight RJ45 data input jacks and eight 4-pair toolless IDC's for output provide robust data and voice distribution.
- Available in Cat6 configuration only.
- Easily and securely installed with four push pins into Primex in-premise enclosures (P2100, P3000, P4200, PR1500, PR2300).
- Simplified cross connect signal distribution for effective cable management of the connected home.
- Wiring: 568A and 568B
- UL1863 - Communication Circuit Accessory

4. CONFIGURATIONS

Part #	Part Name	Description
135-0063	SAM-D8-TC6	CAT6 data/voice tool-less module



FOR MORE INFORMATION CONTACT:

1 1.604.881.7875 1.604.881.7835

www.primex.com [f](#) [t](#) [in](#) [v](#) [u](#)

primex  **Fit everything. Together.**