

TEMPO™ FLAT PANEL FLOOR-TO-WALL SYSTEM

Tempo™ with Fusion™ all-in-one conferencing camera shelf accessory (FCAB00HS) for Vaddio® HuddleSHOT. Shelf can be installed above or below display.

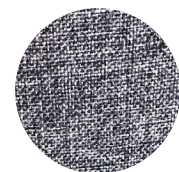
THE BEST WAY TO ROLL OUT CONFERENCE ROOMS

AVSFSS

Chief has reinvented conference room installations and brought new speed with the Tempo™ Flat Panel Floor Support System. By using the floor for display support, you no longer require installation-halting wall inspections and remediation. Multiply that time and cost savings across enterprise rollouts and you'll agree this is the best way to roll out conference rooms!

Features

- Use with select Chief mounts (see Compatible Mount Specs chart)
- Easily installed in sheetrock, wood/steel studs or concrete
- Uprights can move independently along wall to avoid obstructions
- Cable management within uprights and behind the covers
- Lower cover aesthetic insert can be customized to match interior design finishes.
- AVA1103 component storage panel comes standard
- Additional storage or rack storage accessories available
- Mount sold separately. Works with AVA1101, AVA1104, LTM1U, MTM1U, LSM1U, MSM1U, RXF2, RLF2 and RMF2



Standard Heather Gray
Fabric Detail

*AVSFSS shown with
LTM1U Mount - Sold separately



WATCH VIDEO NOW

TEMPO™ FLAT PANEL FLOOR-TO-WALL SYSTEM

SPECIFICATIONS

Weight Capacity:

200 lbs (90.7 kg)

Display Center to Floor Range with:

Select Fusion® Wall Mounts:

51.6-65.6" (1310-1651 mm)

Select Fit™ Wall Mounts:

54.4-68.4" (1381-1737 mm)

Lateral Upright Spacing:

16-24" (406-609 mm)

Max Equipment Size for Storage Panel:

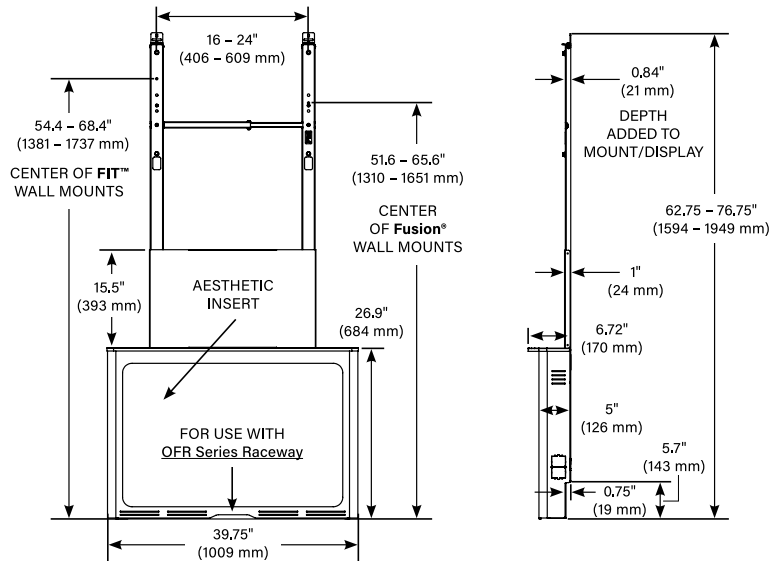
13.4 x 10.7" (340 x 272 mm)

Minimum Depth Added to Mount and Display:

0.84" (22 mm)

Aesthetic Insert Dimensions:

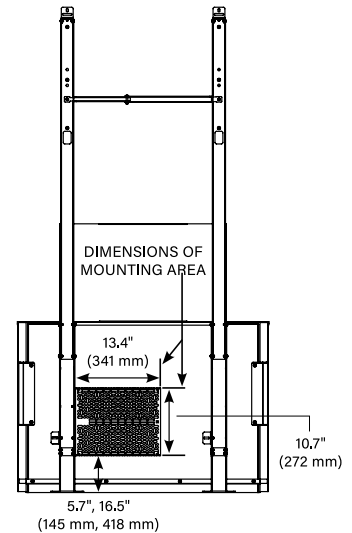
24-25" H x 36-37" W x 0.156-0.75" D
(609-635 mm H x 914-939 mm W x 4-19 mm D)



FOR MORE DETAILS ON THE AVA1101 DUAL DISPLAY ACCESSORY, WATCH OUR SPOTLIGHT VIDEO.

SYSTEM & ACCESSORIES

Model	Description	Weight Capacity (per display)	Typical Screen Sizes
AVSFSS	Flat Panel Floor Support System	200 lbs (90.7 kg)	46-100" (117-254 cm)
AVA1101	Dual-Display Accessory	100 lbs (45.3 kg)	46-60" (117-152cm)
AVA1102	2 Rack-Unit Accessory	30 lbs (13.6 kg)	NA
AVA1103	Flat Panel Floor Support System Component Storage Panel	20 lbs (9.07 kg)	NA
AVA1104	Tempo Extra-Large Dual-Display Accessory	100 lbs (45.3 kg)	Up to 80" per display (203 cm)
AVA1105	Mid Cover Extension Accessory	NA	NA



COMPATIBLE MOUNT SPECS

Fusion® / Fit™	Mount	Min Depth	Max. Pattern	Tilt	Weight Capacity	Typical Screen Sizes*
Fusion®	LTM1U	2" (51 mm)	100 x 100 - 878 x 500 mm	+2°, -12°	200 lbs (90.7 kg)	42-86"
Fusion®	MTM1U	2" (51 mm)	100 x 100 - 650 x 400 mm	+2°, -12°	125 lbs (56.7 kg)	32-65"
Fusion®	LSM1U	2" (51 mm)	100 x 100 - 871 x 500 mm	0	200 lbs (90.7 kg)	42-86"
Fusion®	MSM1U	2" (51 mm)	100 x 100 - 642 x 400 mm	0	125 lbs (56.7 kg)	32-65"
Fit™	RLF3	1" (25 mm)	100 x 100 - 960 x 450 mm	0	200 lbs (90.7 kg)	43-86"
Fit™	RMF3	1" (25 mm)	100 x 100 - 550 x 450 mm	0	125 lbs (56.7 kg)	32-65"

TEMPO™ FLAT PANEL FLOOR-TO-WALL SYSTEM

SPECIFICATIONS

AVSFSS COMPATIBLE ACCESSORIES

Fusion™ Accessories (MSM1U, LSM1U, LTM1U and MTM1U)							
Accessory Type	Camera Shelves			CPU Accessories	Misc.	Speaker Adapters	Security
	FCA800	FCA810HS	FCA800K	CSMP9X12	AVA1102	FCA830	PAC138
	FCA800HS	FCA810V	FCA810K	FCA112	AVA1103	FCA831	
	FCA800V	FCA811	FCA800E		AVA1104	FCA832	
	FCA801	FCA812	FCA810E		FCAC06B	FCA840	
	FCA803	FCA813				FCA841	
	FCA810	FCA850				FCA842	

AVA1101 COMPATIBLE ACCESSORIES

Fusion™ Accessories (MSM1U, LSM1U, LTM1U and MTM1U)						
Accessory Type	Camera Shelves*			CPU Accessories	Misc.	Speaker Adapters*
	FCA800V	FCA811	FCA800K	CSMP9X12	FCAC06B	FCA830
	FCA801	FCA812	FCA810K			FCA832
	FCA803	FCA813	FCA800E			FCA840
	FCA810	FCA820	FCA810E			FCA842
	FCA810HS	FCA821				
	FCA810V					

*Display width and/or height dependent

AVA1104 COMPATIBLE ACCESSORIES

Fusion™ Accessories (XSM1U, XTM1U)					
Accessory Type	Camera Shelves*			CPU Accessories	Speaker Adapters*
	FCA800	FCA810	FCA800K	CSMP9X12	FCA840
	FCA800HS	FCA810HS	FCA810K	CSSMP15X10	FCA841
	FCA801	FCA811	FCA800E		
	FCA803	FCA812	FCA810E		

*Display width and/or height dependent

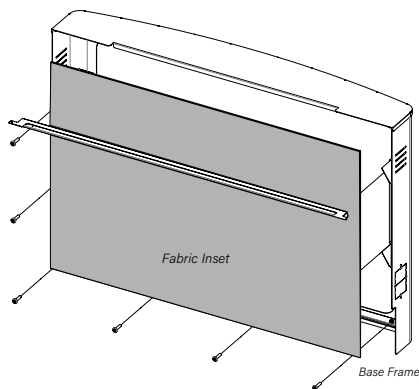
FIT Mount Accessories (RXF2, RLF2, RMF2)		
Accessory Type	CPU Accessories	Security
	CSMP9X12	PACKLK1

HOW TO PERSONALIZE

Customize the bottom fabric insert panel to match your existing décor

AESTHETIC COVER REPLACEMENT

The fabric insert on the bottom panel is simple for you to customize to match your existing décor, creating an aesthetic solution for any environment. Simply remove the standard heather gray material and replace with any fabric or laminate (see replacement instructions below). Need Chief to customize the bottom panel for large-scale installations of Tempo™? Contact us to learn how we can help: av.chief.support@legrand.com.



STEPS TO REPLACE COVER:

1. Remove eight Phillips screws holding aesthetic cover inside base cover & spanning bracket.
2. Remove aesthetic cover from base cover by sliding it first to one side and then out.
3. Replace with alternative cover (not included) and secure with removed screws.



FOR MORE INFORMATION ON HOW TO REPLACE FABRIC INSERT, WATCH OUR INSTRUCTIONAL VIDEO.

USA 866.977.3901 av.support@legrand.com

CANADA 877.345.4329 av.support@legrand.com

EMEA +31 495 580 840 av.emea.sales@legrand.com

APAC +852 2145 4099 av.asia.sales@legrand.com