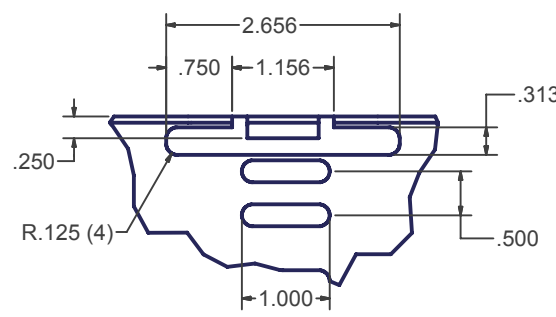
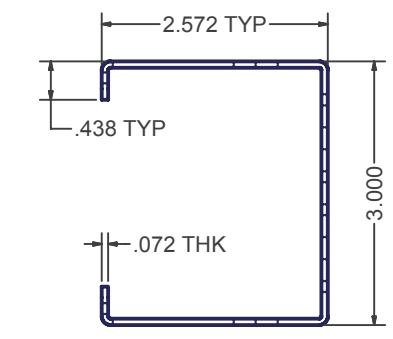
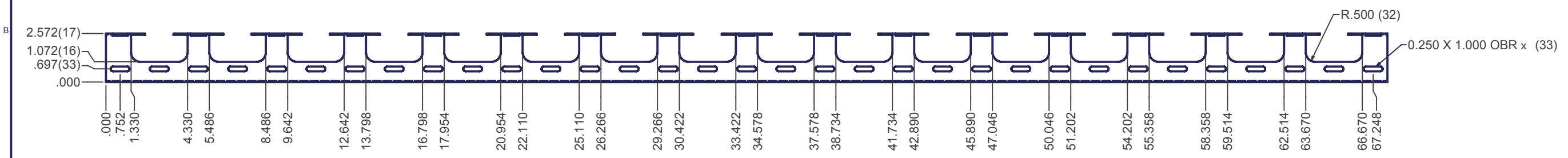
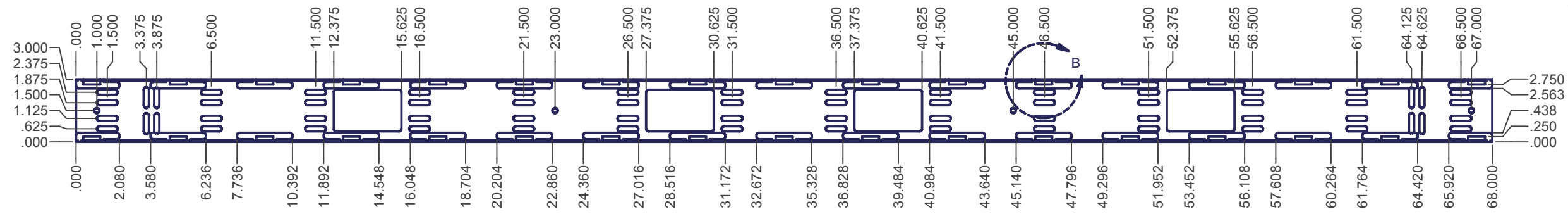
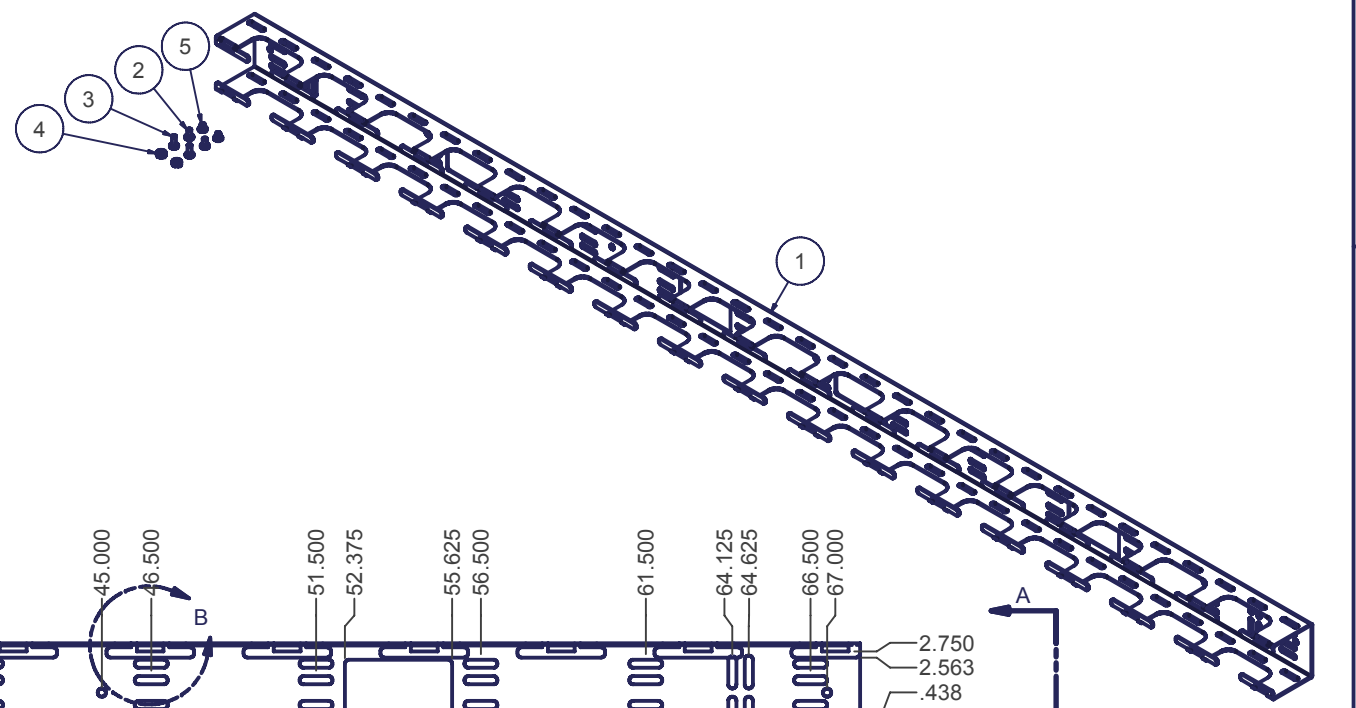


REVISION HISTORY			
REV	DESCRIPTION	DATE	APPROVED
0	ECO-01961	6/21/2007	JL
1	ECO-02791	2/18/2010	FED

Bill of Material						
ITEM	PART NUMBER	STOCK NUMBER	QTY	DESCRIPTION	FILE NAME	REV
1	VCT-84X100		1	VERTICAL CABLE TROUGH - FOR 84"H ES & LE ENCLOSURE, 2.5"W x 3"D	I005641.ipt	1
2	H01-068	H01-068	2	SCREW, 10-32x3/8" PH PAN TYPE 23 BLACK OXIDE/WAX RoHS	SCR10-32X375SC23.ipt	-
3	H01-078	H01-078	2	SCREW, 10-32x1/2" PH PAN TYPE 23 BLACK OXIDE/WAX RoHS	SCR1032X500BLK.ipt	-
4	H02-001	H02-001	2	#10-32 KEPS NUT, ZINC RoHS	10-32NUT.iam	-
5	H01-073	H01-073	2	SCREW, 10-32x1/4 PH PAN TYPE 23 BLACK OXIDE/WAX RoHS (SCR1032X250BLK)	H01-073.ipt	-



DETAIL B
TYP (34) PLC'S

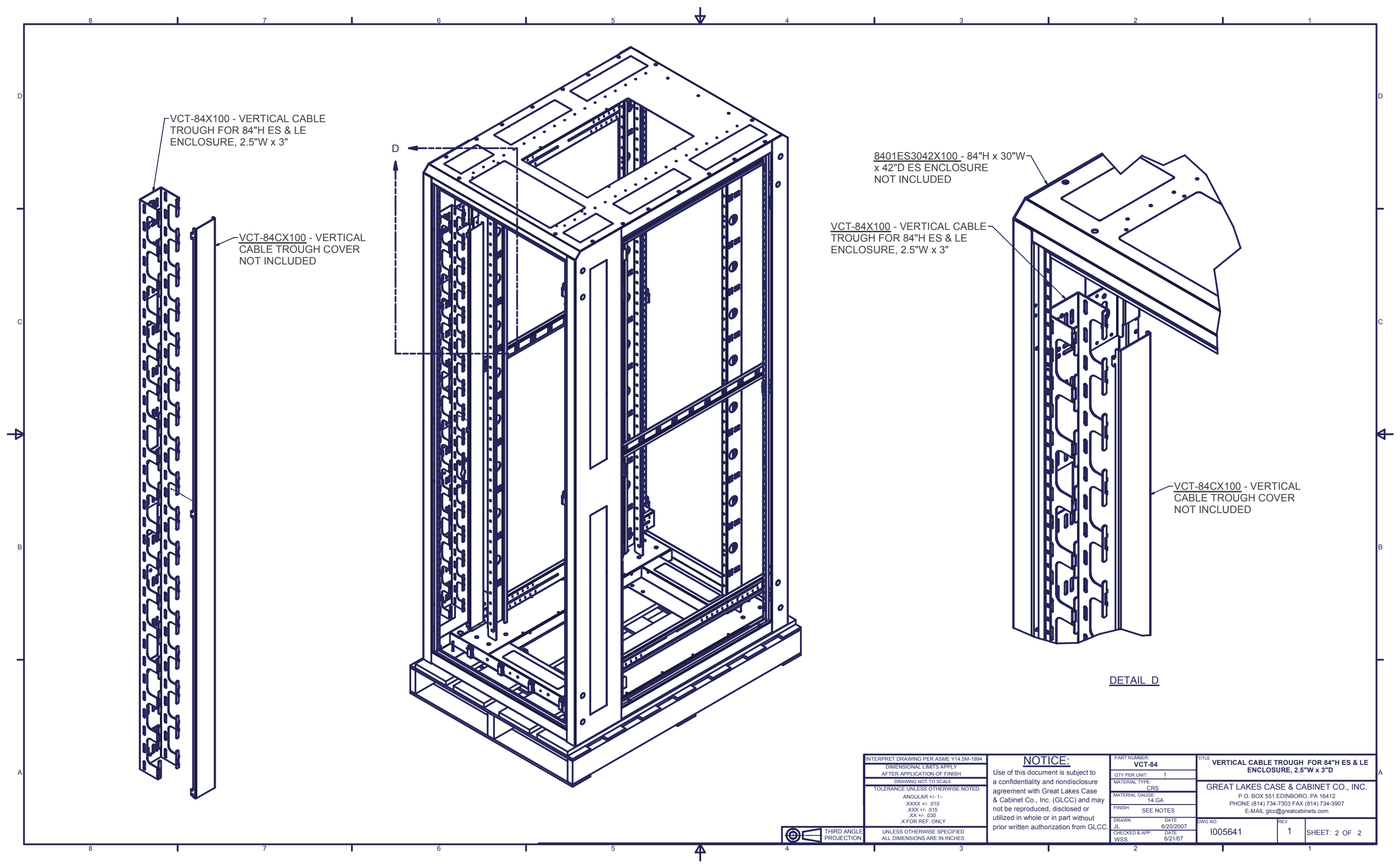


INTERPRET DRAWING PER ASME Y14.5M-1994
DIMENSIONAL LIMITS APPLY AFTER APPLICATION OF FINISH
DRAWING NOT TO SCALE
TOLERANCE UNLESS OTHERWISE NOTED:
ANGULAR +/- 1-
XXXX +/- .010
XXX +/- .015
XX +/- .030
X FOR REF. ONLY
UNLESS OTHERWISE SPECIFIED ALL DIMENSIONS ARE IN INCHES

NOTICE:
Use of this document is subject to a confidentiality and nondisclosure agreement with Great Lakes Case & Cabinet Co., Inc. (GLCC) and may not be reproduced, disclosed or utilized in whole or in part without prior written authorization from GLCC.

PART NUMBER:	VCT-84
QTY PER UNIT:	1
MATERIAL TYPE:	CRS
MATERIAL GAUGE:	14 GA
FINISH:	SEE NOTES
DRAWN:	JAL
CHECKED & APP.:	WSS
DATE:	6-21-07

TITLE:	VERTICAL CABLE TROUGH - FOR 84"H ES & LE ENCLOSURE, 2.5"W x 3"D
GREAT LAKES CASE & CABINET CO., INC.	
P.O. BOX 551 EDINBORO, PA 16412	
PHONE (814) 734-7303 FAX (814) 734-3907	
E-MAIL glcc@greatcabinets.com	
DWG NO.:	I005641
REV:	1
SHEET:	1 OF 2



VCT-84X100 - VERTICAL CABLE TROUGH FOR 84"H ES & LE ENCLOSURE, 2.5"W x 3"

VCT-84CX100 - VERTICAL CABLE TROUGH COVER NOT INCLUDED

8401ES3042X100 - 84"H x 30"W x 42"D ES ENCLOSURE NOT INCLUDED

VCT-84X100 - VERTICAL CABLE TROUGH FOR 84"H ES & LE ENCLOSURE, 2.5"W x 3"

VCT-84CX100 - VERTICAL CABLE TROUGH COVER NOT INCLUDED

DETAIL D

THIRD ANGLE PROJECTION

INTERPRET DRAWING PER ASME Y14.5M-1994
 DIMENSIONAL LIMITS APPLY
 AFTER APPLICATION OF FINISH
 DRAWING NOT TO SCALE
 TOLERANCE UNLESS OTHERWISE NOTED:
 ANGULAR +/- .1-
 .XXX +/- .010
 .XX +/- .015
 .X +/- .030
 .X FOR REF. ONLY
 UNLESS OTHERWISE SPECIFIED
 ALL DIMENSIONS ARE IN INCHES

NOTICE:
 Use of this document is subject to a confidentiality and nondisclosure agreement with Great Lakes Case & Cabinet Co., Inc. (GLCC) and may not be reproduced, disclosed or utilized in whole or in part without prior written authorization from GLCC.

PART NUMBER: **VCT-84**
 QTY PER UNIT: 1
 MATERIAL TYPE: CRS
 MATERIAL GAUGE: 14 GA
 FINISH: SEE NOTES
 DRAWN: JL
 CHECKED & APP: WSS
 DATE: 6/20/2007
 DATE: 6/21/07

TITLE: **VERTICAL CABLE TROUGH FOR 84"H ES & LE ENCLOSURE, 2.5"W x 3"D**
 GREAT LAKES CASE & CABINET CO., INC.
 P.O. BOX 551 EDINBORO, PA 16412
 PHONE (814) 734-7303 FAX (814) 734-3907
 E-MAIL glcc@greatcabinets.com
 DWG NO: 1005641
 REV: 1
 SHEET: 2 OF 2