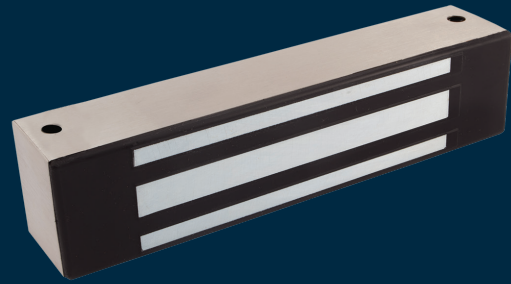


# M32 Magnalock®

600 lbs holding force  
direct mounted Magnalock



## The ultimate in Magnalock reliability for indoor/outdoor traffic control.

The M32 electromagnetic lock is ideal for traffic control in high-use areas within secured or monitored perimeters. With unsurpassed durability, the M32 will last long after most buildings wear out. Applications include storage areas, rooms, and hallways where reliability, high durability and low-maintenance are required.

NOTE: M32-SS in cabinet lock section. See page #48.

## Features

### Standard Features

- Fire rated—3 hours
- PoE friendly
- Sustainability documentation
- Efficient, low power usage
- Automatic dual-voltage—no field adjustment required
- Fully sealed for weather resistant operations
- Size optimized for use with door closers
- Rust resistant—all ferrous metal surfaces plated for durability
- Instant release circuit—no residual magnetism
- Noise suppression with built-in MOV
- 10 ft [3.05m] of jacketed, stranded conductor cable
- Ultra-secure collapsing blind nuts mount to door frame for strength and reliability
- MagnaCare® lifetime replacement, no-fault, no questions asked warranty

### Optional Features

- **F** Face drilled
- **B** Patented BondSTAT magnetic bond sensor
- **D** Integrated Door Position Switch (DPS)



Grade 3



MagnaCare  
Warranty



Auto Sensing  
Dual Voltage  
12/24



PoE  
Friendly



Fire Rated



Outdoor  
Rated



Preload

## Specifications

### Certifications

- UL 10C Listed
- CAN4-S104, CAN/ULC-S533 Listed
- ANSI/UL 294 Listed
- CSA-C22.2 No.205 Listed
- ANSI/BHMA A156.23, Grade 3; E08501-500 Compliant
- CSFM—California State Fire Marshal Approved
- CE:EN 50081-1(92), EN 61000-6-2(99) Approved
- Environmental Product Declaration
- Health Product Declaration

### Electrical

- 300 mA at 12 VDC
- 150 mA at 24 VDC

### Holding Force

- 600 lbs [272kg]

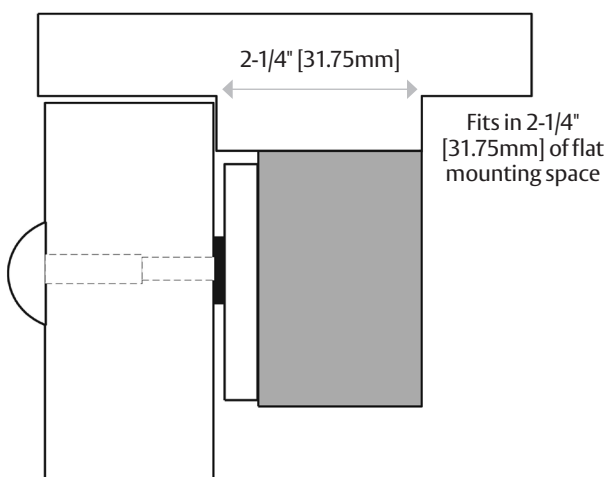
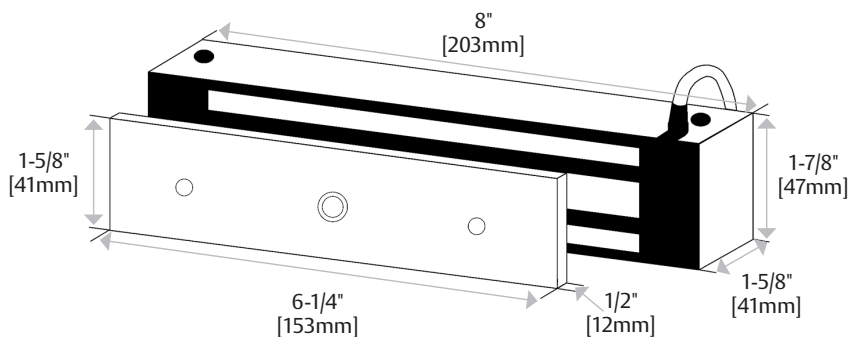
### Operating Temperature

- -40° to 140°F [-40° to 60°C]
- Indoor or Outdoor use

### Shipping Weight

- 6 lbs [2.72kg]

## Dimensions



## How to Order

| MODEL SERIES | MOUNTING METHOD                        | MONITORING OPTIONS   | STRIKE PLATE OPTIONS   |
|--------------|--|--|--|
| <b>M32</b>   | <b>F</b>                               | <b>BD</b>  | <b>- SS</b>  |
| M32 600 lbs  | (blank) Direct Mount<br>F Face Drilled | (blank) No Monitoring<br>B BondSTAT Monitor<br>D Door Position Switch<br>BD BondSTAT and DPS | (blank) Standard Strike<br>SS Split Strike*<br>SASM Shock Absorbing Strike Mount |

\*D and BD monitoring, not available with (SS) Split Strike option.

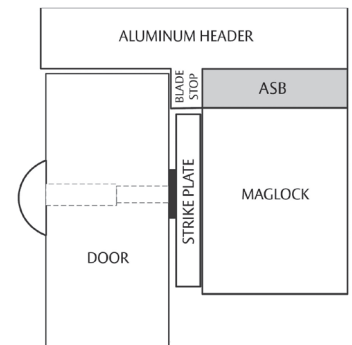
# M32, M62, M82 Magnalock® Accessories

## ASB Aluminum Spacer Bracket

- Use when a blade stop requires the Magnalock to be lowered
- Comes pre-drilled for the mounting bolts and wire
- Provides a blind nut for surface installation of strike
- Available in clear aluminum or black anodized
- MagnaCare® lifetime replacement, no-fault, no questions asked warranty



| PART NUMBER  | DESCRIPTION   | FINISH         |
|--------------|---|----------------|
| ASB-32BK     | Aluminum Frame Spacer Bracket – M32                           | Black Anodized |
| ASB-32CL     | Aluminum Frame Spacer Bracket – M32                           | Clear Anodized |
| ASB-62BK     | Aluminum Frame Spacer Bracket – M62                           | Black Anodized |
| ASB-62CL     | Aluminum Frame Spacer Bracket – M62                           | Clear Anodized |
| ASB-82BK2    | Aluminum Frame Spacer Bracket – M82                           | Black Anodized |
| ASB-82CL     | Aluminum Frame Spacer Bracket – M82                           | Clear Anodized |
| ASCWB-DM62CL | Aluminum 1-1/2" [38.1mm] Spacer – Concrete/Wood Bracket, DM62 | Clear          |

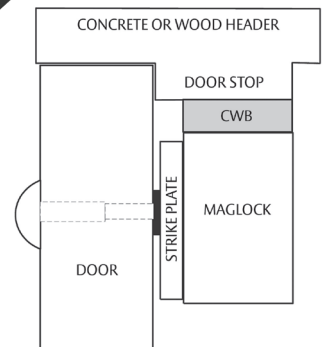


## CWB Concrete Wood Bracket

- Used on wood or concrete filled metal frames
- Provides a concealed wire chamber
- Available in clear aluminum or black anodized
- MagnaCare® lifetime replacement, no-fault, no questions asked warranty



| PART NUMBER | DESCRIPTION                 | FINISH         |
|-------------|-----------------------------|----------------|
| CWB-32BK    | Concrete/Wood Bracket – M32 | Black Anodized |
| CWB-32CL    | Concrete/Wood Bracket – M32 | Clear Anodized |
| CWB-62BK    | Concrete/Wood Bracket – M62 | Black Anodized |
| CWB-62CL    | Concrete/Wood Bracket – M62 | Clear Anodized |
| CWB-82BK    | Concrete/Wood Bracket – M82 | Black Anodized |
| CWB-82CL    | Concrete/Wood Bracket – M82 | Clear Anodized |



LIFE

MagnaCare  
Warranty

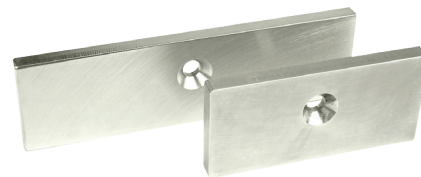
**SECURITRON**  
**ASSA ABLOY**

US securitron.com | 800 626 7590 | customerservice.securitron@assaabloy.com

Canada assaabloydss.ca | 800 461 3007 | sales.dss.ca@assaabloy.com

## AOS Offset Strike Plate

- Alters the position of the mounting hole by 1/4" [6mm]. This is often required to clear the glass on aluminum frame store front doors.
- Includes Offset Strike Plate only.
- MagnaCare® lifetime replacement, no-fault, no questions asked warranty.



| PART NUMBER | DESCRIPTION                 |
|-------------|-----------------------------|
| AOS-62      | Strike Plate – M62, Offset  |
| AOS-62D     | Strike Plate – M62D, Offset |
| AOS-82      | Strike Plate – M82, Offset  |

## ASS Split Strike/Replacement Strike Plate

- Allows a single M32, M62 or M82 Magnalock to secure a double door at traffic control holding force level.
- Includes Split Strike Plates only.
- MagnaCare® lifetime replacement, no-fault, no questions asked warranty.



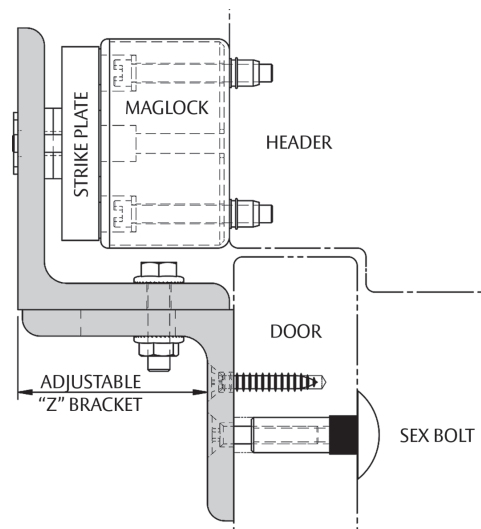
| PART NUMBER | DESCRIPTION  |
|-------------|--|
| ASS-32      | Strike Plate M32 – Split Set w/ Fasteners & Sex Bolt |
| ASS-62      | Strike Plate M62 – Split Set w/ Fasteners & Sex Bolt |
| ASS-82      | Strike Plate M82 – Split Set w/ Fasteners & Sex Bolt |

## ZA Z Bracket Kits – Adjustable

- Use on in-swing doors with Magnalock "F" options (8-1/2" [215.9mm] overall length).
- Provides 1-1/4" [31.75mm] of lateral movement to accommodate most openings and allows for precision adjustments (2-1/4" to 3-1/2" [57.15mm to 88.9mm] from door/header).
- Includes an oversized dress cover.
- MagnaCare® lifetime replacement, no-fault, no questions asked warranty.



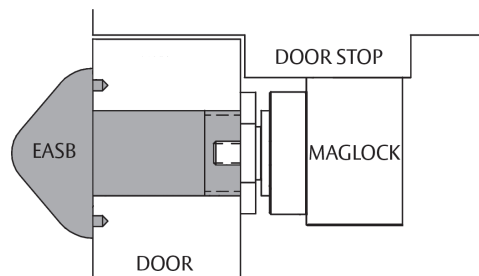
| PART NUMBER | DESCRIPTION                   | FINISH          |
|-------------|-------------------------------|-----------------|
| ZA-32/62BK  | Adjustable Z-Bracket – M32/62 | Black Anodized  |
| ZA-32/62CL  | Adjustable Z-Bracket – M32/62 | Clear Anodized  |
| ZA-32/62SS  | Adjustable Z-Bracket – M32/62 | Satin Stainless |
| ZA-82BK     | Adjustable Z-Bracket – M82    | Black Anodized  |
| ZA-82CL     | Adjustable Z-Bracket – M82    | Clear Anodized  |
| ZA-82SS     | Adjustable Z-Bracket – M82    | Satin Stainless |



## EASB Energy Absorbing Sex Bolt

The Energy Absorbing Sex Bolt provides additional protection and shock absorption to augment holding force when a door experiences dynamic forces such as kicks or repeated blows. Used in mental health care and detention ancillary or administrative doors, and perimeter doors.

- For high-security applications on inflexible doors.
- Replaces the standard Sex Bolt.
- Contains a powerful internal spring that absorbs and dissipates the force of a blow.
- MagnaCare® lifetime replacement, no-fault, no questions asked warranty.



| PART NUMBER | DESCRIPTION                                      |
|-------------|--|
| EASB-250    | Energy Absorbing Bolt – 1/4" [6.35mm] Spacer Kit |
| EASB-32     | Energy Absorbing Sex Bolt – Model 32             |
| EASB-62     | Energy Absorbing Sex Bolt – Model 62             |
| EASB-82     | Energy Absorbing Sex Bolt – Model 82             |

## TDK-1 Accessory for Thick Doors

- Provides replacement screws so armature plates for the M32, M62, M82, M38 and M68 can be used on doors thicker than 1-3/4" [44.45mm], and up to 3" [76.2mm].
- MagnaCare® lifetime replacement, no-fault, no questions asked warranty.



| PART NUMBER | DESCRIPTION    |
|-------------|----------------|
| TDK-1       | Thick Door Kit |

## SB-1 Sex Bolt Replacement

- Replaces armature plate sex bolt for M32, M38, M62, M68 and M82B Magnalocks.
- Available in clear, polished brass or oil rubbed bronze finish.
- MagnaCare® lifetime replacement, no-fault, no questions asked warranty.



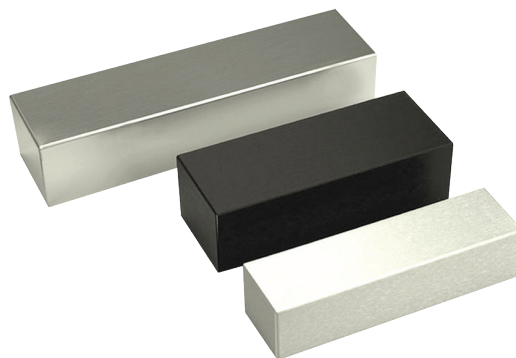
| PART NUMBER | DESCRIPTION            | FINISH            |
|-------------|------------------------|-------------------|
| SB-1        | Sex Bolt – Replacement | Clear             |
| SB-1-03     | Sex Bolt – Replacement | Polished Brass    |
| SB-1-10B    | Sex Bolt – Replacement | Oil-Rubbed Bronze |



## M32/62/82 Magnalock Accessories

### DC Dress Covers

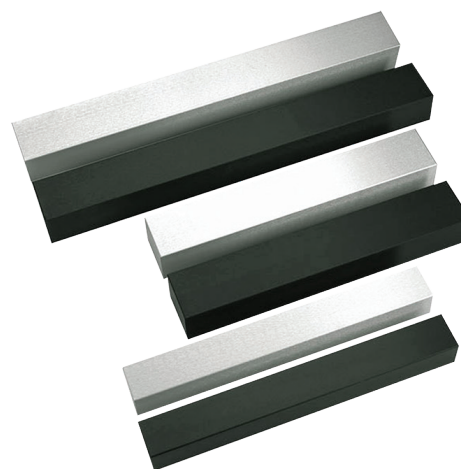
- Use with M32, M62, and M82.
- Install using foam adhesive tape.
- Available in clear, black, polished stainless and polished brass finish.
- MagnaCare® lifetime replacement, no-fault, no questions asked warranty.



| PART NUMBER | DESCRIPTION | COLOR              |
|-------------|-------------|--------------------|
| DC-32BK     | DC – M32    | Black Anodized     |
| DC-32BP     | DC – M32    | Brass Polished     |
| DC-32CL     | DC – M32    | Clear Anodized     |
| DC-32SP     | DC – M32    | Stainless Polished |
| DC-62BK     | DC – M62    | Black Anodized     |
| DC-62BP     | DC – M62    | Brass Polished     |
| DC-62CL     | DC – M62    | Clear Anodized     |
| DC-62SP     | DC – M62    | Stainless Polished |
| DC-82BK     | DC – M82    | Black Anodized     |
| DC-82BP     | DC – M82    | Brass Polished     |
| DC-82CL     | DC – M82    | Clear Anodized     |
| DC-82SP     | DC – M82    | Stainless Polished |

### DDC Double Dress Covers

- Use with M32/M62.
- Available in clear anodized and black finish.
- Will cover a pair of Magnalocks on a double door (if they are separated by no more than 2").
- Not for use with the DM62 Magnalock.
- MagnaCare® lifetime replacement, no-fault, no questions asked warranty.



| PART NUMBER | DESCRIPTION | COLOR          |
|-------------|-------------|----------------|
| DDC-32CL    | DDC – M32   | Clear Anodized |
| DDC-32BK    | DDC – M32   | Black Anodized |
| DDC-62CL    | DDC – M62   | Clear Anodized |
| DDC-62BK    | DDC – M62   | Black Anodized |

### MTK Metal Marking Template

- Magnetic template streamlines installation for the M32 and M62 Magnalocks.
- Includes basic instructions and hole placements.

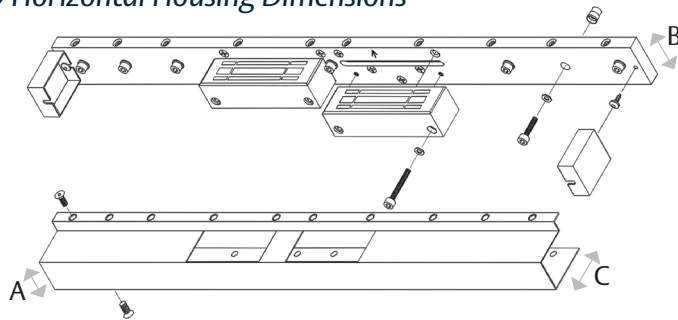
| PART NUMBER | DESCRIPTION            |
|-------------|------------------------|
| MTK-32/62   | Metal Marking Template |



# HHD / HHSL / HHSR / HVD Full Length Housings

- Vertical or horizontal configurations
- Fit one or two locks (not included)
- (SLR) Single Left Hand Reverse
- (SRR) Single Right Hand Reverse
- MagnaCare® lifetime replacement, no-fault, no questions asked warranty

## HHD Horizontal Housing Dimensions



| Model   | A                 | B                 | C                 | Max Length*    |
|---------|-------------------|-------------------|-------------------|----------------|
| HHD-32  | 1-3/4" [44.45mm]  | 2-3/32" [53.34mm] | 2-11/32" [59.9mm] | 96" [2438.4mm] |
| HHD-62  | 2-3/32" [53.34mm] | 2-39/64" [66mm]   | 3-1/2" [88.9mm]   | 96" [2438.4mm] |
| HHD-82  | 2-3/32" [53.34mm] | 2-39/64" [66mm]   | 3-1/2" [88.9mm]   | 96" [2438.4mm] |
| HHSL-32 | 1-3/4" [44.45mm]  | 2-3/32" [53.34mm] | 2-23/64" [59.7mm] | 48" [1219.2mm] |
| HHSL-62 | 2-3/32" [53.34mm] | 2-39/64" [66mm]   | 3-1/2" [88.9mm]   | 48" [1219.2mm] |
| HHSR-32 | 1-3/4" [44.45mm]  | 2-3/32" [53.34mm] | 2-23/64" [59.7mm] | 48" [1219.2mm] |
| HHSR-62 | 2-3/32" [53.34mm] | 2-39/64" [66mm]   | 3-1/2" [88.9mm]   | 48" [1219.2mm] |
| HVD-32  | 1-3/4" [44.45mm]  | 2-3/32" [53.34mm] | 2-23/64" [59.7mm] | 96" [2438.4mm] |
| HVD-62  | 2-3/32" [53.34mm] | 2-39/64" [66mm]   | 3-1/2" [88.9mm]   | 96" [2438.4mm] |
| HVD-82  | 2-3/32" [53.34mm] | 2-39/64" [66mm]   | 3-1/2" [88.9mm]   | 96" [2438.4mm] |

\*Full length housings are individually manufactured to custom specifications up to the maximum length shown.



### PART NUMBER DESCRIPTION

|         |  |
|---------|--|
| HHD-32  | Lock Housing for M32 – Dbl. Horizontal |
| HHD-62  | Lock Housing for M62 – Dbl. Horizontal |
| HHD-82  | Lock Housing for M82 – Dbl. Horizontal |
| HHSL-32 | Lock Housing for M32 – SLR Horizontal  |
| HHSL-62 | Lock Housing for M62 – SLR Horizontal  |
| HHSR-32 | Lock Housing for M32 – SRR Horizontal  |
| HHSR-62 | Lock Housing for M62 – SRR Horizontal  |
| HVD-32  | Lock Housing for M32 – Dbl. Vertical   |
| HVD-62  | Lock Housing for M62 – Dbl. Vertical   |
| HVD-82  | Lock Housing for M82 – Dbl. Vertical   |

## How to Order

Specify quantity and the following information. Order related products separately.

| MODEL SERIES | MOUNTING METHOD | SPECIFY LENGTH      |
|--------------|-----------------|---------------------|
| <b>HHD</b>   | <b>-32</b>      | <b>(83")</b>        |
| HHD          | 32              | HHD Max Length 96"  |
| HHSL         | 62              | HHD Max Length 96"  |
| HHSR         | 82              | HHSR Max Length 48" |
| HVD          |                 | HVD Max Length 96"  |

NOTE: Configurable parts HHSL-82 and HHSR-82 have been discontinued. Not every combination is possible. Please contact the factory if you need a combination of features not listed above.



MagnaCare  
Warranty